

GRAVITY WATER PURIFIER

Operating Manual

Restoring the
Fresh Natural Taste



⚠ WARNING



Gravity Water Purifier

This simple unit does not require plumbing or electrical connections.

It is able to significantly reduce **suspended solid, microorganisms, chlorine, organic pesticides and offending tastes/ odours.**

How the system should be first used

A polyethylene container located at the top of the unit is fitted with Waterco Ceramic cartridge. Water is poured into the container and is filtered through the ceramic cartridge as it makes its way to the lower chamber.

Before the Gravity Water Purifier is used, allow approximately 4 litres of water to pass through the system to remove any fine granular activated carbon particles.

These particles are harmless.

CZR canister preparation

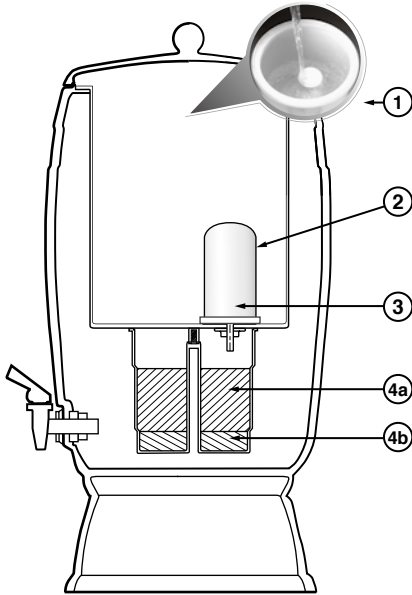
Remove the CZR canister from its packaging. Soak the CZR canister in water overnight. Pour water into the canister and then stand it in water that is as deep as the height of the canister. This process will help wet the surface of the CZR and remove trapped air. Screw the CZR canister onto the container. Do not over screw the CZR canister, as the thread may break. The CZR canister, once activated, must not be allowed to dry out.

Important information

1. Gravity Water Purifier should filter approximately 1 Litre per hour. If you are experiencing an unusually slow flow rate; soak the Waterco Ceramic Cartridge in a mug of water for 30 - 45 minutes with the plastic nozzle pointing upwards and above the water level. This procedure will remove trapped air in the cartridge.
2. Ensure that the filtered water is turned over at least once a day. To prevent algae, wipe the Gravity Water Purifier's inner walls once a week.
3. The CZR media should never be allowed to dry out.
There are two reasons for this:
 - a) The bacteriostatic effect (of the CZR) will be “ switched off “ if the filtered water is not physically kept in contact with the CZR.
 - b) The drying process will cause the CZR particles to adhere together. It will be difficult to pass water through such media as it has become “ blocked up “.

For these reasons, always top up the water in the filter.

The purifying process ensures Clean, Healthy, Tasty Water.



8L - Ceramic Cartridge [58mm(W) x 100mm(H)]

Step 1

Fill the upper reservoir with ordinary tap water.

Step 2 Ceramic Cartridge

The ceramic layer filters suspended solids and microorganisms. (e.g. E.Coli, Giardia & Cryptosporidium).

Step 3 Activated Carbon

The filter's core of activated carbon adsorbs offending organic chemicals, tastes, odour and chlorine.

Step 4 CZR Canister (optional)

- The extra bed of activated carbon extends the replacement interval of the ceramic cartridge.
- The CZR electrochemically removes dissolved metals plus its bacteriostatic properties keep the water in the lower reservoir sanitised.

NOTE : CZR canisters are only supplied with Stoneware Plus and Clearware Plus Water Purifiers and available for separate purchase.

How To Clean The Ceramic Cartridge

Low Maintenance

These cartridges require special attention. Please read this section carefully.

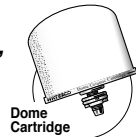
Waterco Ceramic Cartridges are made of micro-porous ceramic material, internally coated with an antibacterial treatment of Silver Nitrate. Within the Waterco Ceramic Cartridge is a Granular Activated Carbon Core.



Ceramic Cartridge

The ceramic media and Granular Activated Carbon work together to significantly reduce :

Suspended Solids, Chlorine, Offending Taste/ Odour, Microorganisms and Organic Pesticides (e.g. Lindane).



Dome Cartridge

• Waterco Gravity Water Purifier

The Gravity Water Purifier is virtually maintenance free. The only component that requires attention is the ceramic cartridge.

The ceramic cartridge must be cleaned regularly and replaced periodically.

• Cleaning the Ceramic Cartridge

Cleaning simply involves scraping the cartridge under running water. Once the surface is white, the cartridge is ready for use again.

• Replacement Periods

For optimal performance, replace the ceramic cartridges every 4 months. If used in combination with the CZR canister, extend the replacement period to 12 months. For optimal performance, replace the CZR canister every 12 months.



OFFICES - AUSTRALIA

NSW - Sydney
(HEAD OFFICE)
Tel : +61 2 9898 8686
VIC/ TAS - Melbourne
Tel : +61 3 9764 1211
WA - Perth
Tel : +61 8 9273 1900
QLD - Brisbane
Tel : +61 7 3299 9900
SA/ NT - Adelaide
Tel : +61 8 8244 6000
ACT Distributor
Tel : +61 2 6280 6476

OFFICES - OVERSEAS

Waterco USA
Augusta, USA
Tel : +1 706 793 7291
Waterco Canada
St-Hyacinthe, QC, Canada
Tel : +1 450 796 1421
Waterco (Europe) Limited
Radfield, Kent, UK
Tel : +44(0) 1795 521 733
Waterco (NZ) Limited
Auckland, New Zealand
Tel : +64 9 525 7570

Waterco (GZ) Limited
Guangzhou, China
Tel : +8620 3222 2180
Waterco (Far East) Sdn. Bhd.
Selangor, Malaysia
Tel : +60 3 6145 6000
PT Waterco Indonesia
Jakarta, Indonesia
Tel : +62 21 4585 1481

WATERCO

Waterco Limited ABN 62 002 070 733

Member
**WATER
QUALITY
ASSOCIATION**

®

