

Specification Sheets

Part Number - 135093 - Grey | 135094 - White | 135095 - Grey C/W Hydrostatic | 135096 - White C/W Hydrostatic

Waterco Hydrofusion Datasheet

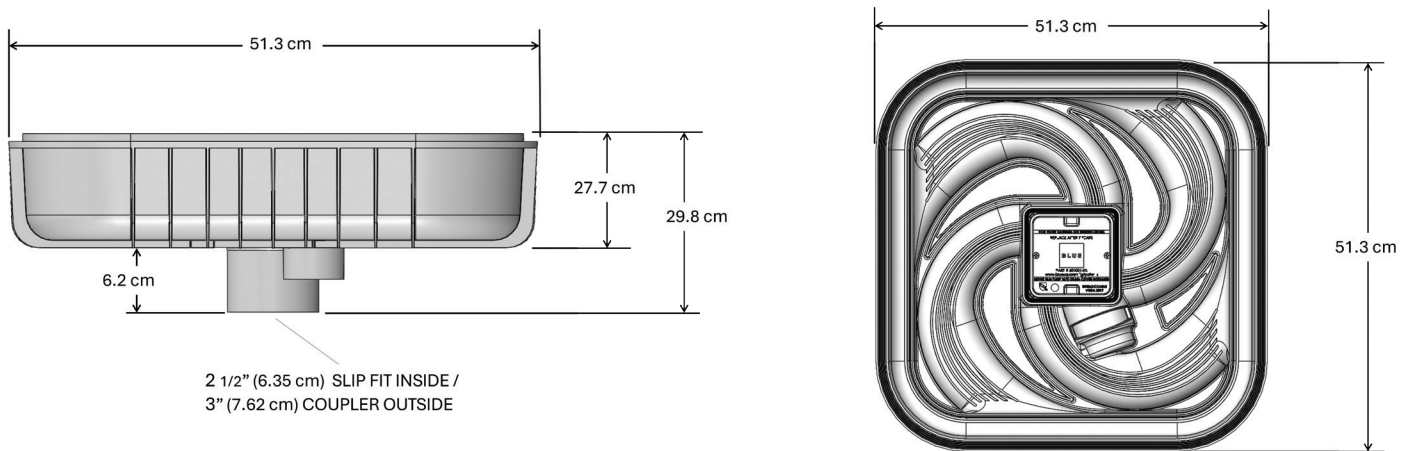


The HydroFusion Pool Drain by Blue Square Manufacturing sets a new standard in pool maintenance and circulation with an intelligent, user-friendly design. With widened channel openings, this drain effectively captures large leaves and debris, while its centripetal channel design directs debris effortlessly to the centre, making cleanup straightforward and efficient. The revolutionary channel provides maximum flow and design. Used in conjunction with the Blue Square In-Floor Pool Cleaning System and Waterco's Trimline Leaf Trapper to maximise performance!



Waterco Hydrofusion

Dimensions



Top Benefits

- Enhanced Debris Capture: Optimised channel design directs more debris towards the drain centre
- Highly Compatible: Flexible with various pool setups; compatible with 50mm and 65mm (with coupling) plumbing
- Lasting Performance: Stronger solvent welds to PVC plumbing systems
- Flush Design: No more stubbing toes on protruding drains, while also preventing robotic cleaners from getting stuck
- Fully VGBA Compliant: The single source suction drain exceeds safety requirements
- Widened Channel Openings: Removes large leaves and debris thanks to the optimal design
- Optimised Functionality: Centre cap reduces turbulence and improves hydraulic performance
- Unblockable Power: Capable of handling flow rates of up to 780 LPM
- Hydrostatic Relief: Features an optional hydrostatic valve port, perfect for pools with high water tables
- Colour Options: Available in two colour options (White or Grey) to match different pool aesthetics
- Durable Construction: Made from durable PVC material, ensuring stronger solvent welds to PVC plumbing systems for lasting performance