

**WATERCO**  
water, the liquid of life



**OPAL**  
ULTRA

**10**  
YEAR  
WARRANTY



# OPAL ULTRA

## The Ultimate Pool Clarity and Convenience

Experience effortless pool ownership with the cutting-edge Opal Ultra cartridge filter, designed for the next generation. Its innovative design and larger dirt-holding capacity minimise the need for frequent filter cleanings, giving you more time to enjoy your pool.



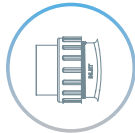
**Extra-Large  
capacity**



**Secure Lock  
mechanism**



**Effortless  
access**



**Versatile  
inlet ports**



SAVE ENERGY



SAVE MONEY



SAVE TIME



Opal Ultra 350



Next Generation  
Cartridge Filter



# OPAL ULTRA



Opal Ultra 350

## Secure Locking Mechanism

The Opal Ultra filter features a **innovative locking mechanism** designed for unparalleled convenience. With a simple clockwise turn of the lock ring, you can securely lock the filter in place.

When it's time for a cartridge replacement, simply **press and hold the lock plunger** and at the same time turn the lock ring **anti-clockwise**.

The innovative **lifting lug** integrated into the lid effortlessly lifts the lid together with the lock ring, granting you quick and easy access to the filter cartridge.





Opal Ultra 350

**Easy-to-read pressure gauge** allows for quick and simple monitoring of filter performance.

**A solid one-piece moulded polymer tank** for superior strength and resistance to cracking, corrosion, and UV damage, ensuring a long life span.

**Innovative locking system** ensures cartridge changes are quick and hassle-free. The integrated lifting lug adds convenience for lid removal.

**Versatile Inlet Ports** enjoy maximum flexibility with two inlet ports. Choose the configuration that best suits your pool's plumbing.

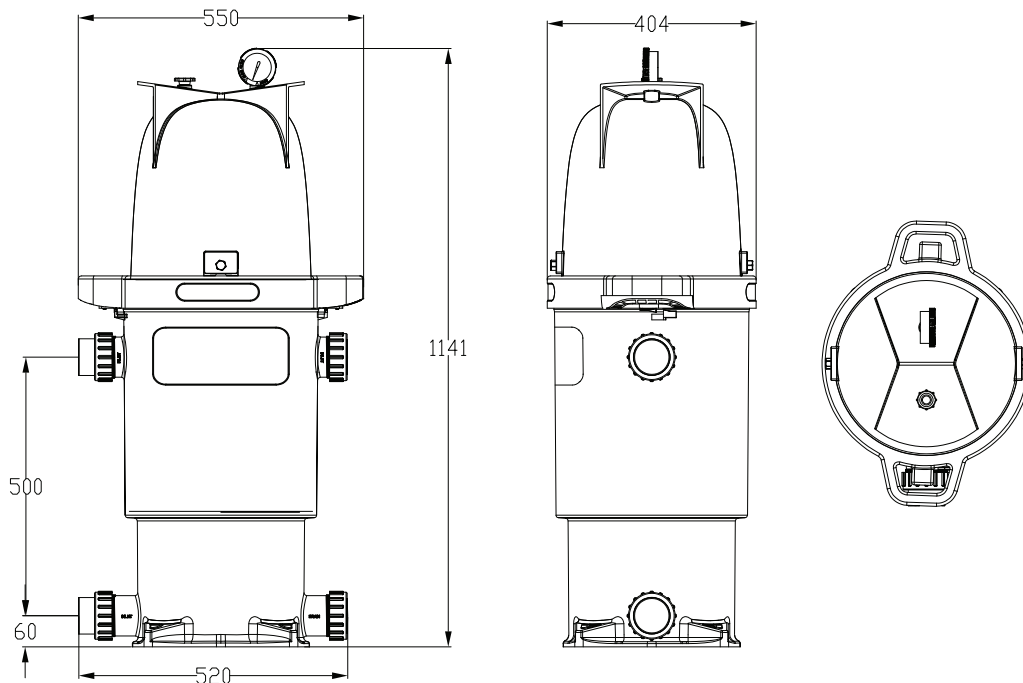
**Extra large filter cartridge** designed to accommodate an oversized cartridge, the Opal Ultra maximises dirt-holding capacity, extending filter life and reducing maintenance.

**The large drain port** speeds up filter tank drainage, making maintenance and cleaning easier and faster.

**The 50mm quick-connect barrel unions** designed for UPVC pipes offer an effortless and efficient solution for easily connecting and disconnecting pipe sections.

# Performance Specifications

## Opal Ultra 350



Description	Connection Ports	Min. Flow	Max. Flow	Filter Area	Max. Working Pressure	Max. Pool Size	Max. Temp.
OPAL ULTRA 350	50mm / 2"	50lpm (3m <sup>3</sup> /hr)	510lpm (30m <sup>3</sup> /hr)	32.5m <sup>2</sup> (350ft <sup>2</sup> )	350kPa (50psi)	183,600lt (40,386 gal)	40°C

## WARRANTY

Opal Ultra tank	10 Years
All other components & labour	1 Year
Commercial Installations	1 Year

Note: Please refer to Waterco's warranty terms and conditions



Innovative Locking  
Mechanism

# **WATERCO**

water, the liquid of life



Established in 1981, Waterco pioneers reliable solutions for healthy, safe water environments. We design and manufacture innovative filtration and sanitisation products across residential, commercial and industrial applications in over 40 countries.

## **OFFICES - AUSTRALIA**

### **NSW - Sydney (Head Office)**

Tel: +61 2 9898 8600

### **QLD - Brisbane**

Tel: +61 7 3299 9900

### **VIC/TAS - Melbourne**

Tel: +61 3 9764 1211

### **WA - Perth**

Tel: +61 8 9273 1900

### **SA/NT - Adelaide**

Tel: +61 8 8244 6000

### **ACT Distribution**

Tel: +61 2 6280 6476

## **OFFICES - OVERSEAS**

### **Waterco (Europe) Limited**

Sittingbourne, Kent. UK  
Tel: +44 (0) 1795 521 733

### **Waterco (USA) Inc**

Augusta, Georgia, USA  
Tel: +1 706 793 7291

### **Waterco Canada**

Boucherville, Quebec, Canada  
Tel: +1 450 748 1421

### **Waterco (NZ) Limited**

Auckland, New Zealand  
Tel: +64 9 525 7570

### **Waterco (C) Limited**

Guangzhou, China  
Tel: +86 20 3222 2180

### **PT Waterco Indonesia**

Jakarta, Indonesia  
Tel: +62 21 4585 1481

### **Waterco Singapore Intl Pte Ltd**

Midview City, Singapore  
Tel: +65 6344 2378

### **Waterco (Far East) Sdn Bhd**

Selangor, Malaysia  
Tel: +60 3 6145 6000

### **Waterco Vietnam Company Limited**

Ho Chi Minh City, Vietnam  
Tel: +84 28 3622 7780



SCAN ME