

HYDRO GREASE PLUG

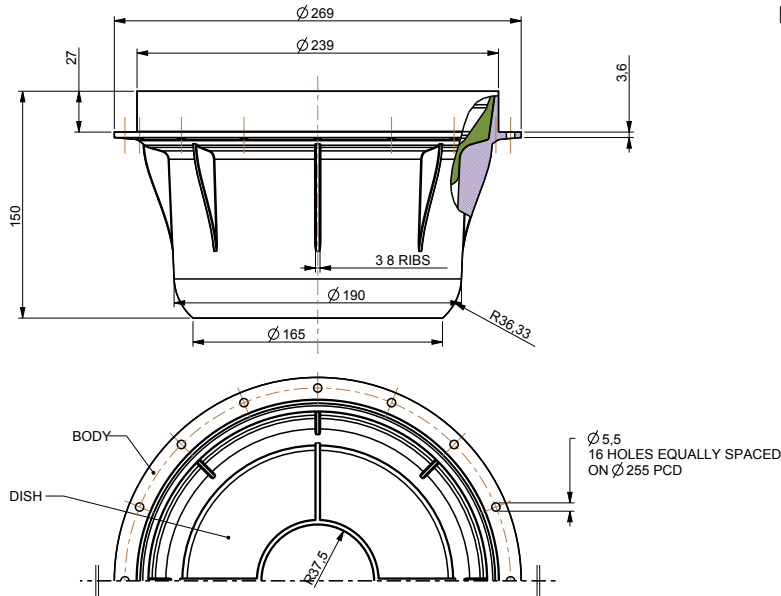
The new Waterco Hydro Grease Plug has been specifically designed for easy installation into new concrete pool.

- Designed for extra strength with taper base and support ribs.
- Extra tie down holes to ensure a secure installation.
- Deep lid for extra pool surface holding and strength.
- Available in white.



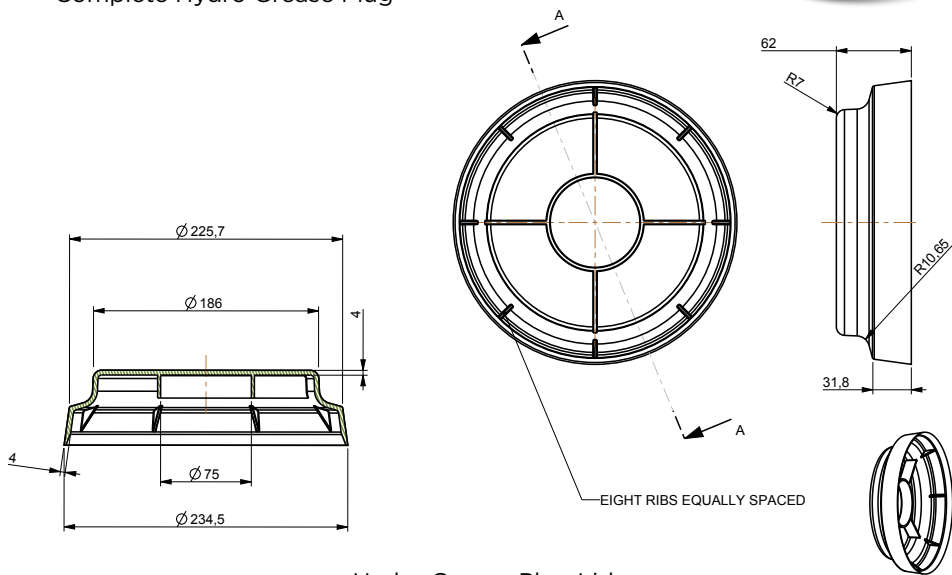


Dimension



Complete Hydro Grease Plug

Material: High strength ABS.
Maximum Operating Temperature: 50°C



Hydro Grease Plug Lid

Warranty:

The Waterco Hydro Grease Plug is covered by a 1 year warranty for domestic and commercial installations.

Note: HYDRO Grease Plug Base and Lid sold as complete unit, and Lid ONLY available as a spare part.

OFFICES - AUSTRALIA

NSW - Sydney (Head Office)
Tel: +61 2 9898 8600
QLD - Brisbane
Tel: +61 7 3299 9900
VIC/TAS - Melbourne
Tel: +61 3 9764 1211
WA - Perth
Tel: +61 8 9273 1900
SA/NT - Adelaide
Tel: +61 8 8244 6000
ACT Distribution
Tel: +61 2 6280 6476

OFFICES - OVERSEAS

Waterco (Europe) Limited
Sittingbourne, Kent, UK
Tel: +44 (0) 1795 521 733
Waterco (USA) Inc
Augusta, Georgia, USA
Tel: +1 706 793 7291
Waterco Canada
Boucherville, Quebec, Canada
Tel: +1 450 748 1421
Waterco (NZ) Limited
Auckland, New Zealand
Tel: +64 9 525 7570

Waterco (C) Limited
Guangzhou, China
Tel: +86 20 3222 2180

Waterco (Far East) Sdn Bhd
Selangor, Malaysia
Tel: +60 3 6145 6000

PT Waterco Indonesia
Jakarta, Indonesia
Tel: +62 21 4585 1481

Waterco Singapore Intl Pte Ltd
Nehsons Building, Singapore
Tel: +65 6344 2378

DISTRIBUTED BY:

WATERCO
water, the liquid of life



ZZB2014 02/2021