

# FINSBURY

water filters



Easy to install  
Fits most kitchen taps  
Long lasting cartridges

countertop **filter**



Disruptor™ filtration technology reduces more impurities than any other conventional water filter.

**WATERCO**  
water, the liquid of life  
[www.waterco.com.au](http://www.waterco.com.au)



- improves taste
- reduces odour
- reduces bacteria
- reduces volatile organic compounds (voc)
- reduces lead and mercury
- reduces cysts

- reduces dirt, sediment and rust
- reduces chlorine
- reduces giardia and cryptosporidium
- rapid filtration
- quick and easy filter replacement
- long lasting filter cartridges

## Disruptor™ filtration technology



Utilising electroadsorption, the entire disruptor media is covered by an electric charge, which is activated by contact with water. It is this charge field that captures contaminants in the water.

### Filter cartridge replacement

For optimal performance, Waterco recommends cartridge replacement every 3000 Litres or 6 months.



### Carbon cartridge

- improves taste
- reduces odours
- reduces sediment and rust
- reduces chlorine

### Disruptor cartridge

- reduces bacteria
- reduces chlorine compounds
- reduces lead and mercury

## Questions & Answers

### Finsbury Water Filters are they BPA free?

Yes. The potential release of Bisphenol A is related to the use of Polycarbonate. All **Finsbury Water Filters** materials in direct contact with water do not contain Polycarbonate and are food grade and BPA free.

### Can I change the filters myself?

Yes. All **Finsbury Water Filters** products are designed with simplicity and user friendliness in mind, for ease of use all filters are very easy to replace. For further information please refer to the instructions.

### Do I need to wash my filter?

No. Under no circumstance should you use any detergents or put your filter through a dishwasher.

### Can I use hot water in my Finsbury Water Filters?

We do not recommend extremely hot or boiling water is run through the filter as this could affect the performance. This excludes shower filters.

### Can I drink waters from a stream or dam?

**Finsbury Water Filters** will remove virtually all harmful contaminants that you will find in a typical unpurified water source such as a stream or dam. However, as an unpurified water source could have additional unknown contaminants, it is not recommended to drink this water.

### Can I filter any liquid with my Finsbury Water Filters product and will it be drinkable?

No. Our products are designed to filter water only.

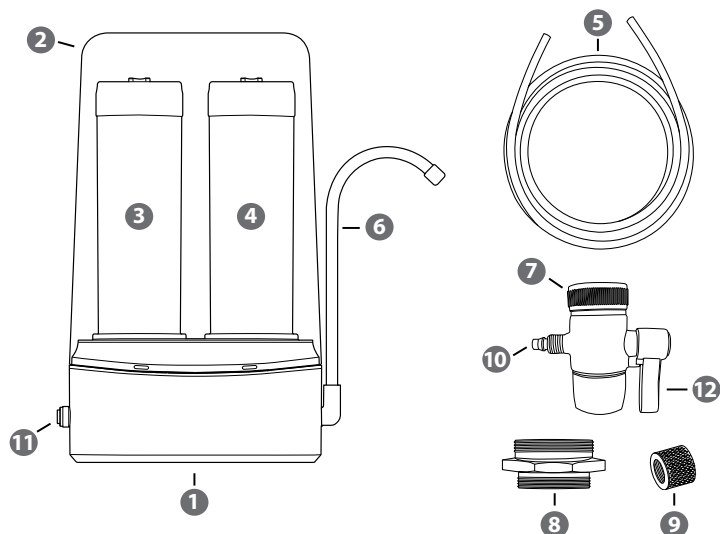
### Do Finsbury Water Filters water products remove fluoride?

No. Fluoride is a natural mineral that can be found within municipal water supplies. Throughout World some water agencies add this to the water supply. **Finsbury Water Filters** water filters are not designed to remove fluoride.

### What heavy metals can be reduced?

**Finsbury Water Filters** products utilising the Disruptor™ PACV filter media are able to reduce Chromium VI, Copper, Lead, Iron and Selenium.

## Contents



1. two stage filtration unit
2. filter cover
3. carbon cartridge filter
4. disruptor cartridge filter
5. hose
6. chrome plated tap spout
7. chrome plated faucet end
8. hexagonal thread adapter
9. round threaded nut
10. inlet spout nipple
11. filter unit inlet
12. control valve

**Pack includes** base unit with cartridges, chrome faucet & fittings

## Product technical specifications

<b>Flow rate</b>	1.8L/min
<b>Max. pressure</b>	400 kPa / 60 psi
<b>Filter capacity</b>	3000L
<b>Water source</b>	municipal water
<b>Filter life</b>	6 months*
<b>Single Unit</b>	230mm (L) x 156mm (W) x 330mm (H)
<b>Packaged Weight</b>	Approx. 1.79kg
<b>Maximum Operating Temperature</b>	Do not use HOT/Warm water

**Warranty:** The Finsbury Counter Top Water Filter is warranted to be free from defects in material and workmanship for a period of three (3) year from date of purchase. Warranty on consumable products such as filters cartridges does not apply.

## CONTACT WATERCO

Waterco's head office is situated in Sydney, Australia with international offices, manufacturing plants and warehouses located in Australia, New Zealand, Malaysia, Indonesia, Singapore, China, the US, Canada, France and the UK.

### OFFICES - AUSTRALIA

NSW - Sydney (Head Office)  
Tel: +61 2 9898 8600  
QLD - Brisbane  
Tel: +61 7 3299 9900  
VIC/TAS - Melbourne  
Tel: +61 3 9764 1211  
WA - Perth  
Tel: +61 8 9273 1900  
SA/NT - Adelaide  
Tel: +61 8 8244 6000  
ACT Distribution  
Tel: +61 2 6280 6476

### OFFICES - OVERSEAS

Waterco (Europe) Limited  
Sittingbourne, Kent, UK  
Tel: +44 (0) 1795 521 733  
Waterco (USA) Inc  
Augusta, Georgia, USA  
Tel: +1 706 793 7291  
Waterco Canada  
Longueuil, Quebec, Canada  
Tel: +1 450 748 1421  
Waterco (NZ) Limited  
Auckland, New Zealand  
Tel: +64 9 525 7570

Waterco (C) Limited  
Guangzhou, China  
Tel: +86 20 3222 2180

Waterco (Far East) Sdn Bhd  
Selangor, Malaysia  
Tel: +60 3 6145 6000

PT Waterco Indonesia  
Jakarta, Indonesia  
Tel: +62 21 4585 1481

Waterco Singapore Intl  
Pte Ltd  
Nehsons Building, Singapore  
Tel: +65 6344 2378

Waterco France  
Saint Priest, France.  
Tel: +33 4 72 79 33 30

**DISTRIBUTED BY:**

**WATERCO**  
water, the liquid of life

