



2018 Commercial Filters



Table of Contents

COMMERCIAL FILTERS 3

WATER TREATMENT 36

MEDIA 42

PRE-FILTERS 49

PUMPS 53

HEATERS 63

Micron Commercial Fibreglass Filters

Designed and built for high performance and reliability



Micron Fibreglass Filters

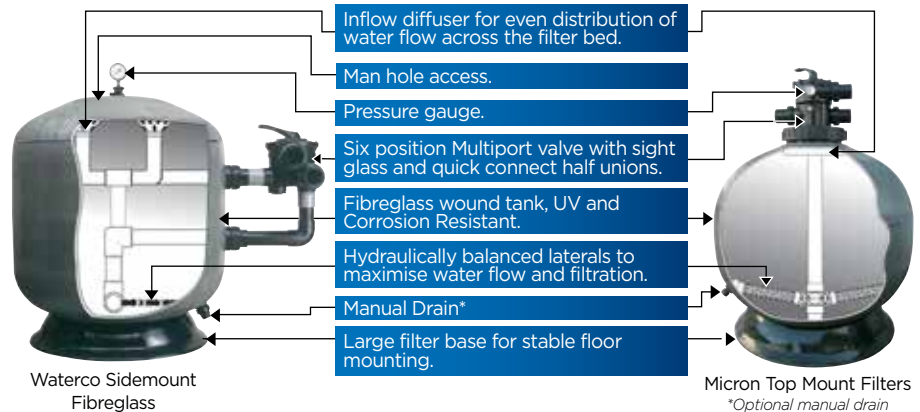
Micron fibreglass filters embody the latest in fibreglass winding technology. Waterco's digitally controlled filament winding machine faultlessly winds continuous strands of high quality fibreglass filament under controlled tension to create a seamless one-piece vessel with refined consistency and superior quality. There are no welds or seams or special tank linings which can corrode or electrolyse.



Waterco Micron Top and Sidemount Fibreglass Filters

Manufactured from the highest grade of non corrosive materials and employing the latest in fibreglass winding technology, Micron fibreglass filters are designed and built for many years of trouble free operation.

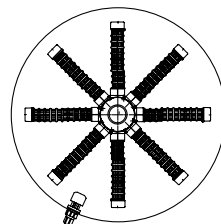
- Available in top mount, side mount and horizontal configurations from filter areas of 0.87m² to 10.0m².
- Pressure rated at 250 kPa (36 psi), 400 kPa (58 psi), 600 kPa (87psi), 800kPa (116 psi) and up to 1000kpa (145 psi)
- Optional sight glasses and lateral man holes.
- Optional fibreglass reinforced vinyl ester for improved chemical resistance.
- NSF50, AS1210, AS4020 vessels available
- Multiple flange options available, e.g. ANSI, Table E, Table D



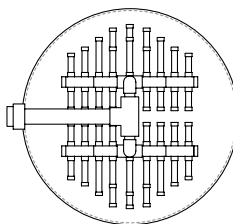
- Maximum working temperature of 50°C (122°F)

Micron "Fish Bone" laterals

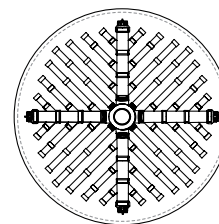
Conventional laterals are not suitable for larger sized commercial filters. "Dead legs" exist between the laterals and water flow is not optimised through the filter bed. Waterco's "Fish Bone" lateral configuration eliminates any "dead legs" by improving water flow distribution through the filter bed.



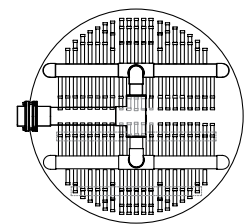
Conventional lateral configuration



Commercial vertical filters with 3" / 80mm ports



Commercial vertical filters with 2 1/2" / 65mm ports as well as the SD1200 and SD1400 with 3" / 80mm ports



Commercial vertical filters with 4"/100mm, 6"/150mm, 8"/200mm ports

Top Mount Sand Filters

Proven Strength and Durability



COMMERCIAL TOP MOUNT SAND FILTERS

Includes Multiport Valve (2.5 Bar). Higher pressure ratings are available on request.

Part Number	Product Description	Nominal Size
2204265	S1050 c/w 65mm MPV & Barrel Unions	42"
2204865	S1200 c/w 65mm MPV & Barrel Unions	48"
22014816	S1200 c/w 80mm MPV & Barrel Unions	48"

Specifications

Filter Model	Port Size	Bed Depth	Inner Diameter	Filter Area	Filtration Flow Rates		Backwash Flow Rates		Media Volume	Sand 16/30	Glass Pearls 0.6-0.8
					30m ² /hr/m ²	36m ² /hr/m ²	40m ² /hr/m ²	50m ² /hr/m ²			
					m ² /hr		m ² /hr				
S1050	65	510	1050	0.87	26	31	35	43	503	735	604
S1200	65	580	1200	1.13	34	41	45	57	736	1075	884
S1200	80	580	1200	1.13	34	41	45	57	760	1110	912

* Recommended maximum flow rates for port size : 50mm/63mm(EU), 510 lpm, 30.6m³/hr
65mm/75mm(EU), 760 lpm, 45.6m³/hr

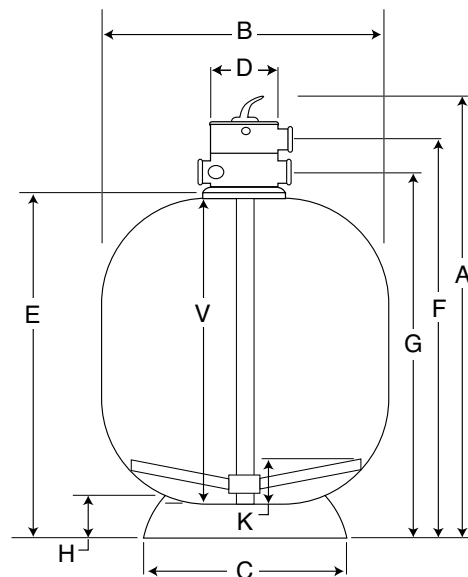
Dimension (mm)

Model	A	B	C	D	E	F	G	H	V	K
S1050	1490	1077	1045	264	1090	1316	1183	176	940	163
S1200	1615	1210	1045	264	1215	1441	1308	176	1040	173
S1200	1947	1232	1045	301	1455	1675	1566	176	1200	200

Model	Filter Shipping Weight (2.5bar)	Shipping Volume
S1050	50 kg	1.20 m ³
S1200	64 kg	1.91 m ³
S1200	64 kg	1.91 m ³



Lateral under drain system



Sidemount Sand Filters

Proven Strength and Durability



COMMERCIAL SIDEMOUNT SAND FILTERS

Specifications

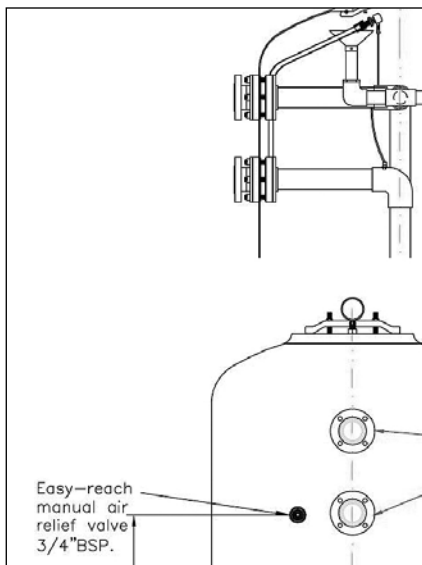
Filter Model	Port Size	Bed Depth	Inner Diameter	Filter Area	Filtration Flow Rates		Backwash Flow Rates		Media Volume	Sand 16/30	Glass Pearls 0.6-0.8
					30m ³ /hr/m ²	36m ³ /hr/m ²	40m ³ /hr/m ²	50m ³ /hr/m ²			
	mm	mm	mm	m ²	m ³ /hr		m ³ /hr				
SM750	50	400	750	0.44	13.3	15.9	17.7	22.1	195	285	315
SM900	50	440	900	0.64	19.1	22.9	25.4	31.8	301	440	487
SM1200	65	580	1200	1.13	34	41	45	57	705	1030	1139
SM1200	80	580	1200	1.13	34	41	45	57	705	1030	1139
SM1400	80	670	1400	1.54	46	55	62	77	1130	1650	1825
SM1600	100	670	1600	2.01	60	72	80	101	1483	2165	2395

* Recommended maximum flow rates for port size : 50mm/63mm(EU), 510 lpm, 30.6m³/hr
80mm/90mm(EU), 1080 lpm, 64.8m³/hr
100mm/110mm(EU), 1800 lpm, 108m³/hr

Dimension (mm)

Model	A	B	C	W	R	P	E	F	K	V	H	L	X	Y	Z	J	S	T
SM750	613	772	976	334	262	191	541	643	113	763	652	90	943	800	870	620	541	337
SM900	689	923	1086	334	262	191	591	693	113	860	750	90	1053	850	980	620	591	387
SM1200	978	1232	1485	510	363	548	952	1062	150	1145	982	176	1400	1334	1330	1045	952	596
SM1400	1083	1442	1608	510	363	548	998	1108	190	1217	1065	218	1523	1380	1453	1202	998	642
SM1600	1765	1644	1875	943	474	629	707	369	205	1520	1300	218	1790	707	1720	1202	1139	707

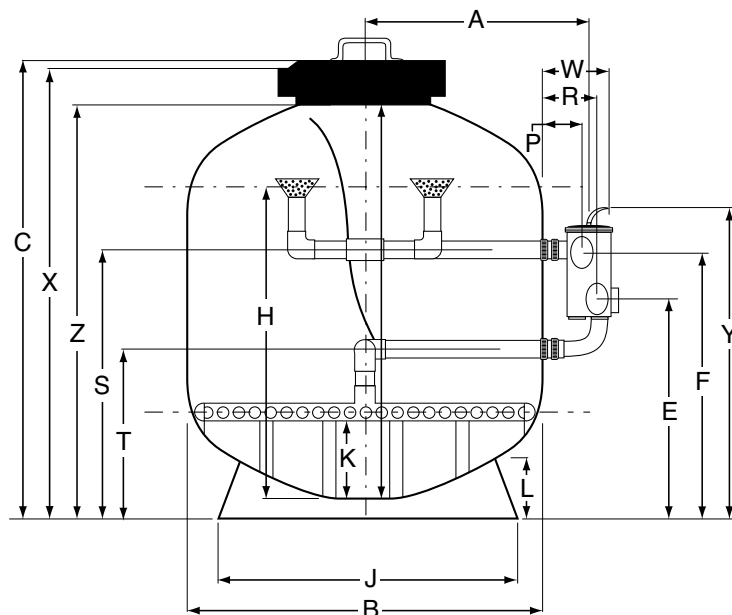
Model	Filter Shipping Weight (2.5bar)	Shipping Volume
SM750	31 kg	0.8 m ³
SM900	43 kg	1.1 m ³
SM1200	160 kg	2.14 m ³
SM1400	250 kg	3.36 m ³
SM1600	300 kg	4.89 m ³



Easy Reach Air Release System

Waterco are the first to introduce the benefits of the “easy reach” air bleed system for commercial filters.

Located directly under the sight glass, a valve may be fitted to the tank, which is connected directly to an internal air bleed system allowing any air to be simply bled from the filter without the need to manually bleed the air from filter lid or to use additional plumbing.



Sidemount Deep Bed Filters

Proven Strength and Durability

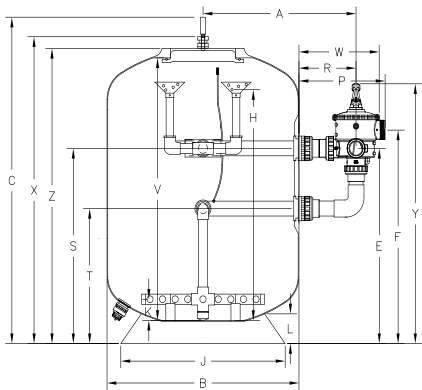


Micron Sidemount Deep Bed Filters

(SMD - 1000mm filter bed depth)

The effect of deep media bed improves the filtration efficiency over standard High-rate filters by providing enhanced in-depth filtration and increased dirt capacity. In addition, the greater bed depth permits efficient use of mixed bed filter media and water treatment media such as granular activated carbon.

The filter's 1000mm media bed ensures that finer dirt particles and colloidal substances are retained to a far greater level than a filter with a shallower bed depth.

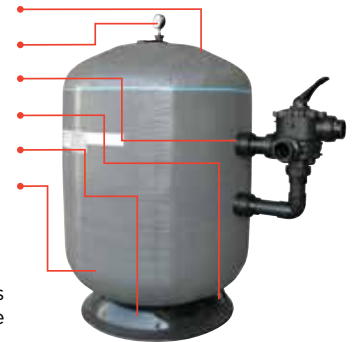


Model	Filter Shipping Weight (2.5bar)	Shipping Volume
SMD750	58 kg	1.20 m ³
SMD900	155 kg	1.80 m ³
SMD1050	162 kg	2.13 m ³
SMD1200	175 kg	2.80 m ³
SMD1400	270 kg	3.99 m ³
SMD1600	330 kg	5.28 m ³
SMD1800	429 kg	6.67 m ³
SMD2000	500 kg	7.86 m ³

COMMERCIAL SIDEMOUNT DEEP BED FILTERS (SMD)

1000mm filter bed depth ranges from 2.5 up to 10 bar

- Large double yoke lid with lifting eye
- Pressure gauge
- Quick connect unions (Up to and including SMD2000)
- Water purge and sand dump port
- Large stable base
- Fish Tail lateral configuration for maximum hydraulic performance



- 1m bed depth
- Ultra smooth bobbin finish
- Available in 2.5 bar, 4 bar, 6 bar, 8 bar and up to 10 bar pressure ratings
- Vinylester resin coating available
- Quick connect unions
- Nozzle plate available upon request

Specifications

Filter Model	Port Size	Bed Depth	Inner Diameter	Filter Area	Filtration Flow Rates		Backwash Flow Rates		Media Volume	Sand 16/30	Glass Pearls 0.6-0.8
					30m ³ /hr/m ²	36m ³ /hr/m ²	40m ³ /hr/m ²	50m ³ /hr/m ²			
SMD750	50	1000	750	0.44	13	16	18	22	458	670	703
SMD900	65	1000	900	0.64	19	23	25	32	663	1060	1016
SMD1050	65	1000	1050	0.87	26	31	35	43	973	1420	1571
SMD1050	80	1000	1050	0.87	26	31	35	43	966	1410	1560
SMD1200	65	1000	1200	1.13	34	41	45	57	1219	1780	1903
SMD1200	80	1000	1200	1.13	34	41	45	57	1175	1715	1903
SMD1200	100	1000	1200	1.13	34	41	45	57	1192	1740	1925
SMD1400	80	1000	1400	1.54	46	55	62	77	1723	2515	2782
SMD1400	100	1000	1400	1.54	46	55	62	77	1637	2390	2644
SMD1600	80	1000	1600	2.01	60	72	80	101	2171	3170	3385
SMD1600	100	1000	1600	2.01	60	72	80	101	2092	3055	3385
SMD1600	150	1000	1600	2.01	60	72	80	101	2123	3100	3429
SMD1800	100	1000	1800	2.54	76	92	102	127	2880	4205	4651
SMD1800	150	1000	1800	2.54	76	92	102	127	2904	4240	4690
SMD2000	100	1000	2000	3.14	94	113	126	157	3521	5140	5636
SMD2000	150	1000	2000	3.14	94	113	126	157	3490	5095	5636

* Recommended maximum flow rates for port size : 50mm/63mm(EU), 510 lpm, 30.6m³/hr 100mm/110mm(EU), 1800 lpm, 108m³/hr
65mm/75mm(EU), 760 lpm, 45.6m³/hr 150mm/160mm(EU), 3420 lpm, 205.2m³/hr
80mm/90mm(EU), 1080 lpm, 64.8m³/hr

Dimension - SMD (mm)

Model	A	B	C	W	R	P	E	F	K	V	H	L	X	Y	Z	J	S	T
SMD750	901	1110	1930	510	363	548	1100	1210	220	1605	1470	176	1845	1482	1775	1045	1100	744
SMD900	719	923	1918	389	298	193	1300	1426	223	1580	1473	155	1833	1610	1763	735	1300	1000
SMD1050	796	1110	1930	389	298	193	1044	1170	220	1605	1470	176	1845	1354	1775	1045	1044	744
SMD1050	918	1110	1930	510	363	548	1100	1210	220	1605	1470	176	1845	1482	1775	1045	1100	744
SMD1200	873	1229	1935	389	298	193	1098	1224	190	1590	1440	176	1850	1408	1780	1045	1098	798
SMD1200	977	1229	1935	510	363	548	1154	1264	150	1590	1400	176	1850	1536	1780	1045	1154	798
SMD1200	1558	1229	1935	943	474	629	760	422	180	1590	1430	176	1850	760	1780	1045	1192	760
SMD1400	1083	1442	1955	510	363	548	1204	1314	250	1615	1500	218	1870	1586	1800	1202	1204	848
SMD1400	1664	1442	1955	943	474	629	810	472	200	1615	1450	218	1870	810	1800	1202	1242	810
SMD1600	1184	1644	1994	510	363	548	1151	1261	220	1615	1500	218	1909	1533	1839	1202	1151	795
SMD1600	1765	1644	1994	943	474	629	757	419	180	1615	1430	218	1909	757	1839	1202	1189	757
SMD1600	-	1644	1994	-	-	-	-	-	220	1615	1470	218	1909	-	1839	1202	1200	717
SMD1800	1863	1839	1985	943	474	629	751	413	225	1710	1475	315	1900	751	1830	1755	1183	751
SMD1800	-	1839	1985	-	-	-	-	-	320	1710	1570	315	1900	-	1830	1755	1168	685
SMD2000	1964	2042	2063	943	474	629	758	420	300	1765	1550	245	1978	758	1908	1755	1190	758
SMD2000	-	2042	2063	-	-	-	-	-	300	1765	1550	245	1978	-	1908	1755	1215	732

*NOTE: Connection measurements may vary depending on connection type

Sidemount Deep Bed Filters

Proven Strength and Durability

Micron Sidemount Deep Bed Filters

(SMDD - 1200mm filter bed depth)

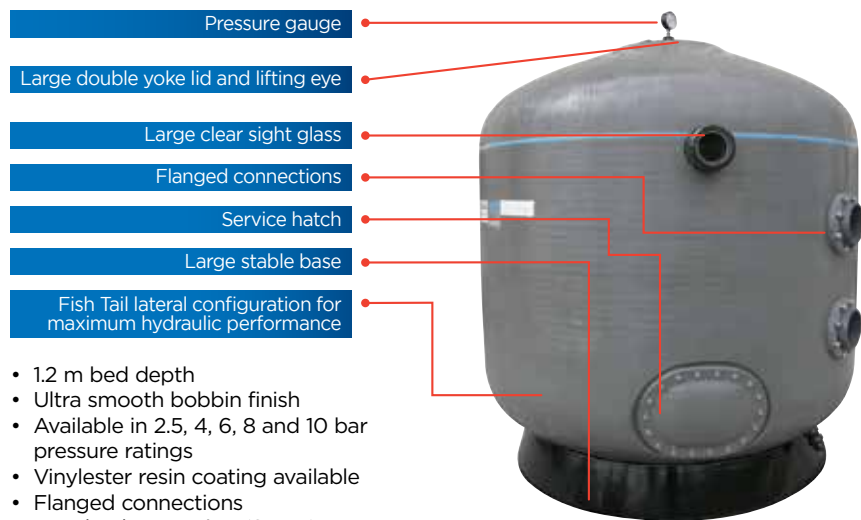
The effect of deep media bed improves the filtration efficiency over standard High-rate filters by providing enhanced in-depth filtration and increased dirt capacity. In addition, the greater bed depth permits efficient use of mixed bed filter media and water treatment media such as granular activated carbon.

The filter's 1200mm media bed ensures that finer dirt particles and colloidal substances are retained to a far greater level than a filter with a shallower bed depth.

COMMERCIAL SIDE MOUNT DEEP BED FILTERS (SMDD)

1200mm filter bed depth ranges from 2.5 to 10 bar

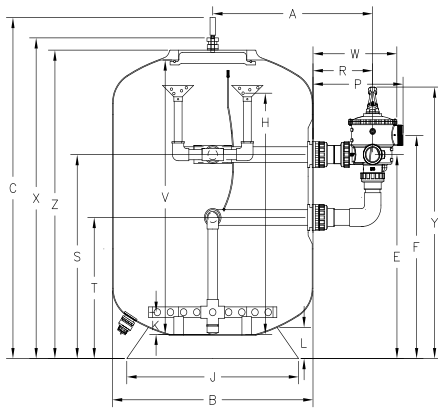
Micron Side Mount Deep Bed Sand Filter - SMDD Model



- 1.2 m bed depth
- Ultra smooth bobbin finish
- Available in 2.5, 4, 6, 8 and 10 bar pressure ratings
- Vinylester resin coating available
- Flanged connections
- Nozzle plate version (SPDD)

Sidemount Deep Bed Filters

Proven Strength and Durability



Model	Filter Shipping Weight (2.5bar)	Shipping Volume
SMDD750	66 kg	1.14 m ³
SMDD900	172 kg	2.06 m ³
SMDD1050	181 kg	2.97 m ³
SMDD1200	223 kg	3.48 m ³
SMDD1400	275 kg	5.32 m ³
SMDD1600	352 kg	6.93 m ³
SMDD1800	377 kg	7.64 m ³
SMDD2000	590 kg	10.2 m ³
SMDD2200	800 kg	12.41 m ³
SMDD2350	916 kg	13.82 m ³
SMDD2500	1033 kg	16.64 m ³

Specifications

Filter Model	Port Size	Bed Depth	Inner Diameter	Filter Area	Filtration Flow Rates		Backwash Flow Rates		Media Volume	Sand 16/30	Glass Pearls 0.6-0.8
					30m ² /hr/m ²	36m ² /hr/m ²	40m ² /hr/m ²	50m ² /hr/m ²			
					m ³ /hr		m ³ /hr				
SMDD750	50	1200	750	0.44	13	16	18	22	545	795	879
SMDD900	50	1200	900	0.64	19	23	25	32	784	1145	1267
SMDD900	65	1200	900	0.64	19	23	25	32	784	1145	1267
SMDD900	80	1200	900	0.64	19	23	25	32	822	1200	1327
SMDD1050	65	1200	1050	0.87	26	31	35	43	1144	1670	1847
SMDD1050	80	1200	1050	0.87	26	31	35	43	1140	1665	1842
SMDD1200	65	1200	1200	1.13	34	41	45	57	1442	2105	2262
SMDD1200	80	1200	1200	1.13	34	41	45	57	1401	2045	2262
SMDD1200	100	1200	1200	1.13	34	41	45	57	1414	2065	2284
SMDD1400	80	1200	1400	1.54	46	55	62	77	2031	2965	3280
SMDD1400	100	1200	1400	1.54	46	55	62	77	1945	2840	3142
SMDD1600	80	1200	1600	2.01	60	72	80	101	2548	3720	4076
SMDD1600	100	1200	1600	2.01	60	72	80	101	2524	3685	4076
SMDD1800	100	1200	1800	2.54	76	92	102	127	3192	4660	5155
SMDD1800	150	1200	1800	2.54	76	92	102	127	3408	4975	5503
SMDD2000	100	1200	2000	3.14	94	113	126	157	4147	6055	6698
SMDD2000	150	1200	2000	3.14	94	113	126	157	4171	6090	6737
SMDD2200	150	1200	2200	3.80	114	137	152	190	5223	7625	8435
SMDD2350	150	1200	2350	4.34	130	156	173	217	5808	8480	9380
SMDD2500	150	1200	2500	4.91	147	177	196	245	6538	9545	10558

* Recommended maximum flow rates for port size :
 50mm/63mm(EU), 510 lpm, 30.6m³/hr
 65mm/75mm(EU), 760 lpm, 45.6m³/hr
 80mm/90mm(EU), 1080 lpm, 64.8m³/hr
 100mm/110mm(EU), 1800 lpm, 108m³/hr
 150mm/160mm(EU), 3420 lpm, 205.2m³/hr

Dimension - SMDD (mm)

Model	A	B	C	W	R	P	E	F	K	V	H	L	X	Y	Z	J	S	T
SMDD750	613	772	2044	334	262	191	1586	1688	113	1780	1713	120	2011	1845	1938	678	1586	1383
SMDD900	689	923	2107	334	262	191	1619	1721	113	1800	1713	155	2074	1878	2001	735	1619	1416
SMDD900	719	923	2268	389	298	193	1624	1750	223	1930	1823	155	2183	1934	2113	735	1624	1324
SMDD900	824	923	2268	510	363	548	1680	1790	190	1930	1780	155	2183	2062	2113	735	1680	1324
SMDD1050	796	1077	2270	389	298	193	1594	1720	220	1950	1820	176	2185	1904	2115	1045	1594	1294
SMDD1050	901	1077	2270	510	363	548	1650	1760	220	1950	1820	176	2185	2032	2115	1045	1650	1294
SMDD1200	873	1229	2243	389	298	193	1609	1735	190	1900	1790	176	2158	1919	2088	1045	1609	1309
SMDD1200	977	1229	2243	510	363	548	1665	1775	150	1900	1750	176	2158	2047	2088	1045	1665	1309
SMDD1200	1558	1229	2243	943	474	629	883	545	180	1900	1780	176	2158	883	2088	1045	1315	883
SMDD1400	1083	1442	2313	510	363	548	1618	1728	250	1970	1860	218	2228	2000	2158	1202	1618	1262
SMDD1400	1664	1442	2313	943	474	629	898	560	200	1975	1800	218	2228	898	2158	1202	1330	898
SMDD1600	1184	1644	2285	510	363	548	1383	1493	205	1950	1805	218	2200	1765	2130	1202	1383	1027
SMDD1600	1765	1644	2285	943	474	629	989	651	200	1950	1800	218	2200	989	2130	1202	1421	989
SMDD1800	1863	1839	2260	943	474	629	866	528	210	2010	1810	315	2175	866	2105	1755	1298	866
SMDD1800	-	1839	2260	-	-	-	-	-	320	2010	1920	315	2175	-	2105	1755	1383	900
SMDD2000	1964	2042	2398	943	474	629	878	540	300	2100	1900	245	2313	878	2243	1755	1310	878
SMDD2000	-	2042	2398	-	-	-	-	-	320	2100	1920	245	2313	-	2243	1755	1310	827
SMDD2200	-	2245	2415	-	-	-	-	-	380	2090	1980	245	2330	-	2260	1755	1386	903
SMDD2350	-	2390	2435	-	-	-	-	-	355	2118	1955	340	2330	-	2330	2037	1500	1017
SMDD2500	-	2575	2510	-	-	-	-	-	355	2190	1955	340	2405	-	2405	2037	1494	1011

*NOTE: Connection measurements may vary depending on connection type

SPDD Nozzle Plate Filters

Proven Strength and Durability



Micron SPDD Nozzle Plate Filters

Micron SPDD filters are fitted with a plate and nozzle system, which ensures uniform flow for both filtering and backwashing, ensuring maximum performance through the media bed.



Nozzle Plate under drain system

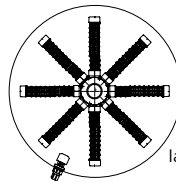


Internal Nozzle Plate Service Hatch

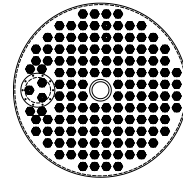
MICRON NOZZLE PLATE SIDE MOUNT DEEP BED FILTERS

1200mm filter bed depth ranges from 2.5 to 10 bar

The nozzle plate system also allows the introduction of pressurised air directly into the bottom of the filter media. Uniform introduction of air and water through the nozzle plate provides vigorous agitation and filter media bed expansion required for an effective air/water backwash leading to reduced backwashing times and reduced volumes of water. Save up to 25% of backwash water.



Conventional lateral configuration



Nozzle plate configuration

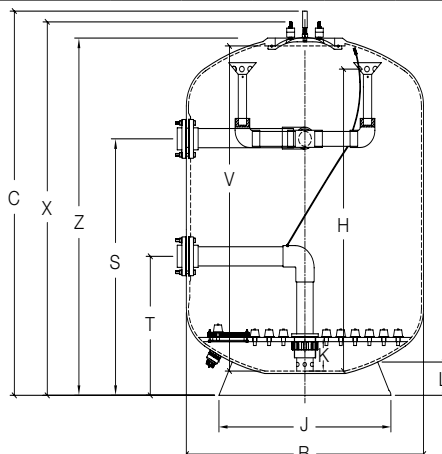
Specifications

Filter Model	Port Size	Bed Depth	Inner Diameter	Filter Area	Filtration Flow Rates		Backwash flow Rates		Media Volume	Sand 16/30	Glass Pearls 0.6-0.8
					30m ³ /hr/m ²	36m ³ /hr/m ²	40m ³ /hr/m ²	50m ³ /hr/m ²			
	mm	mm	mm	m ²	m ³ /hr	m ³ /hr	m ³ /hr	m ³ /hr			
SPDD1050	80	1200	1050	0.87	26.0	31.2	34.6	43.3	1017	1485	1643
SPDD1200	80	1200	1200	1.13	33.9	40.7	45.2	56.5	1322	1930	2135
SPDD1400	100	1200	1400	1.54	46.2	55.4	61.6	77.0	1808	2640	2920
SPDD1600	100	1200	1600	2.01	60.3	72.4	80.4	100.5	2366	3455	3820
SPDD1800	150	1200	1800	2.54	76.3	91.6	101.8	127.2	2966	4330	4790
SPDD2000	150	1200	2000	3.14	94.2	113.1	125.7	157.1	3671	5360	5929
SPDD2350	150	1200	2350	4.34	130.1	156.1	173.5	216.9	5089	7430	8219

* Recommended maximum flow rates for port size : 80mm/90mm(EU), 1080 lpm, 64.8m³/hr 100mm/110mm(EU), 1800 lpm, 108m³/hr 150mm/160mm(EU), 3420 lpm, 205.2m³/hr

Dimension - SPDD (mm)

Model	B	C	K	V	H	L	X	Z	J	S	T
SPDD1050	1077	2270	220	1950	1820	176	2185	2115	1045	1450	750
SPDD1200	1229	2243	150	1900	1750	176	2158	2088	1045	1449	749
SPDD1400	1442	2313	200	1975	1800	218	2228	2158	1202	1514	814
SPDD1600	1644	2285	200	1950	1800	218	2200	2130	1202	1529	829
SPDD1800	1839	2260	320	2010	1920	315	2175	2105	1755	1489	789
SPDD2000	2042	2398	320	2100	1920	245	2313	2243	1755	1489	789
SPDD2350	2390	2435	355	2118	1955	340	2330	2330	2037	1550	950



Model	Filter Shipping Weight (2.5bar)	Shipping Volume
SPDD1050	199 kg	2.94 m ³
SPDD1200	245 kg	3.70 m ³
SPDD1400	303 kg	5.27 m ³
SPDD1600	387 kg	6.87 m ³
SPDD1800	415 kg	7.57 m ³
SPDD2000	649 kg	10.0 m ³
SPDD2350	1008 kg	13.91 m ³

Micron Horizontal Filters

Designed and built for high performance and reliability



Micron Horizontal Filters

The Micron Horizontal Filter is a space-saving high performer; its compact horizontal design allows installation with minimum waste of space. The shape of the Micron horizontal filter is both attractive and functional. The spherical ends are designed to give uniform flow from both inlet and outlet collection assemblies. Micron Horizontal filters are available with a 500mm (M) filter media bed and a 1200mm (MD) filter media bed.

MICRON COMMERCIAL HORIZONTAL FILAMENT WOUND FILTERS

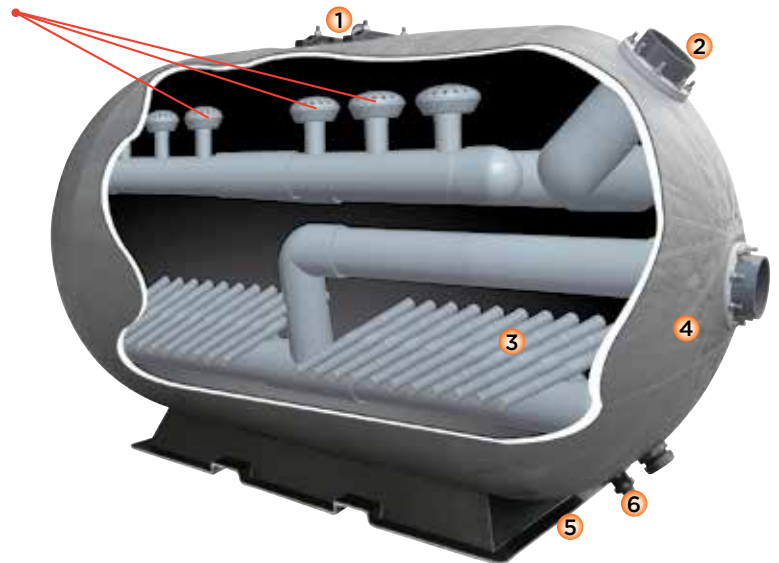
ranges from 2.5 to 10 bar (10 bar not available in all models)

Micron Horizontal vessels are also available with a nozzle plate. The nozzle plate provides even distribution of air scouring and backwashing.

For the ultimate filtration solution of large filter bed area and effective backwashing, Micron Horizontal Nozzle Plate vessels are the perfect choice.

Micron Horizontal's lateral system reduces backwash run times, saves water and produces flatter more uniform filter media bed after backwashing.

Micron Horizontal filters include hydraulically efficient distribution manifolds, ensuring balanced circulation and filtration.



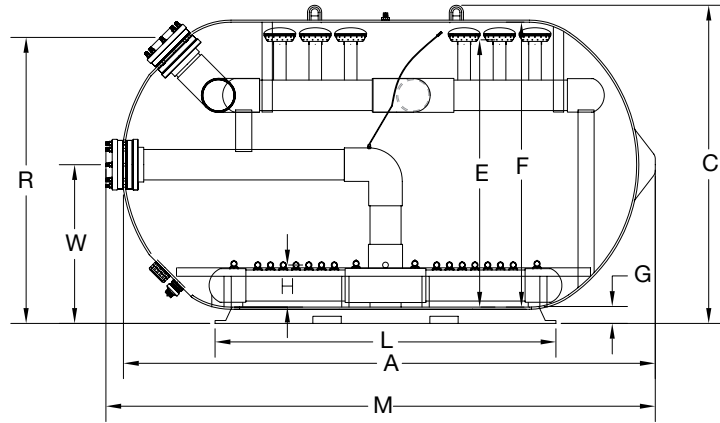
- 1 Elliptical positive sealing manways.
- 2 Flanged port of up to 10".
- 3 Hydraulically balanced distribution and lateral system.
- 4 Fibreglass wound tank, UV and corrosion resistant.
- 5 Large stable filter base for stable floor mounting.
- 6 Manual drain.



Internal plumbing & laterals

Micron Horizontal Filters

Designed and built for high performance and reliability



Specifications - Micron Horizontal Filters

Filter Model	Port Size	Bed Depth	Inner Diameter	Filter Area	Filtration Flow Rates		Backwash Flow Rates		Media Volume	Sand 16/30	Glass Pearls 0.6-0.8
					30m ³ /hr/m ²	36m ³ /hr/m ²	40m ³ /hr/m ²	50m ³ /hr/m ²			
	mm	mm	mm	m ²	m ³ /hr		m ³ /hr		litres	kg	kg
M2500	100	500	1480	2.50	75	90	100	125	1452	2120	2304
M3750	150	500	1485	3.75	113	135	150	187	2370	3460	3552
M5000	150	500	1486	5.00	150	180	200	250	3192	4660	4898

Dimension (mm)

Model	A	B	C	W	R	L	E	F	G	H	M
M2500	2245	1260	1620	740	1300	1400	1005	1260	150	255	2327
M3750	3230	1265	1620	740	1300	2520	945	1260	150	275	3312
M5000	4220	1270	1620	740	1300	3570	945	1260	150	275	4301

Specifications - Micron Horizontal Deep Bed Filters

Filter Model	Port Size	Bed Depth	Inner Diameter	Filter Area	Filtration Flow Rates		Backwash Flow Rates		Media Volume	Sand 16/30	Glass Pearls 0.6-0.8
					30m ³ /hr/m ²	36m ³ /hr/m ²	40m ³ /hr/m ²	50m ³ /hr/m ²			
	mm	mm	mm	m ²	m ³ /hr		m ³ /hr		litres	kg	kg
MD5500	150	1200	2260	5.50	165	198	220	275	5890	9280	10265
MD6500	8.0	1200	2260	6.50	195	234	260	325	7548	11020	12764
MD8000	8.0	1200	2260	8.00	240	288	320	400	9795	14300	15834
MD10000	10.0	1200	2260	10.00	300	360	400	500	12116	17690	20225

Model	Filter Shipping Weight (2.5bar)	Shipping Volume
M2500	170 kg	4.6 m ³
M3750	270 kg	6.5 m ³
MD5000	879 kg	11.7 m ³
MD5500	590 kg	17.0 m ³
MD6500	1110 kg	18.3 m ³
MD8000	1450 kg	22.0 m ³
MD10000	2110 kg	26.7 m ³

Dimension (mm)

Model	Port size	A	C	W	R	L	E	F	G	H	M
MD5500	150	3252	2260	1120	1988	1880	1889	2000	230	289	3330
MD6500	200	3765	2260	1120	2020	2405	1890	2000	230	290	3890
MD8000	200	4516	2260	1120	2020	3155	1890	2000	230	290	4640
MD10000	250	5500	2260	1150	2050	4055	1890	2000	230	330	5650

Optional Extras

Proven Strength and Durability



COMMERCIAL FIBREGLASS: OPTIONAL EXTRAS

Product Description

Sight Glass 50mm applicable to SMD/SMDD400 to 2500

Sight Glass 80mm applicable to SMD/SMDD900 to 2500

Sight Glass 100mm applicable to SMD/SMDD1050 to 2500

Lateral Manhole 420mm x 320mm applicable to SMD/SMDD/SPDD1200 and above; and MD

Lateral Manhole 320mm dia applicable to SMD/SMDD/SPDD1050 and above; and M/MD1200 to 2500

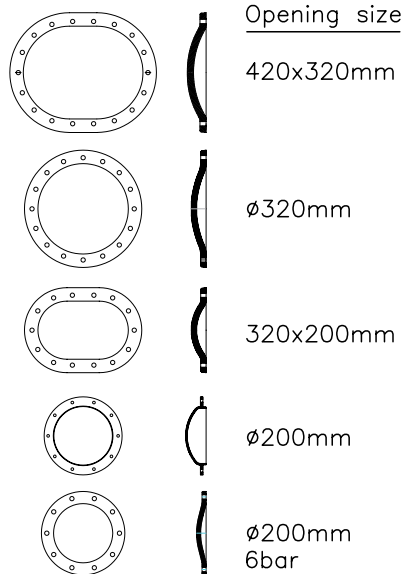
Lateral Manhole 200mm applicable to SMD/SMDD/SPDD600 and above; and M/MD

Micron Side Mount Deep Bed Optional Extras

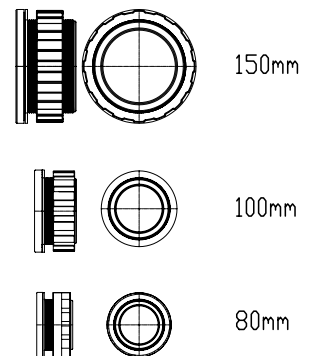
Waterco Micron Side Mount Deep Bed Commercial filters are now available with the option of:

1. 50mm, 80mm, 100mm or 150mm sight glasses.
2. 200mm, 320mm to 420mm x 320mm lateral manholes.
3. Fibreglass reinforced vinyl ester for improved resistance.
4. Extra reinforcement to increase the working pressure rating to 600 kPa (87psi) and 800 kPa (116 psi).

Side hatch / Lateral manhole cover



Sight Glass



DUAL PRESSURE GAUGE PANEL

Part Number	Product Description
621639	Dual Pressure Gauge Panel

Waterco's Dual Pressure Gauge Panel is an extremely versatile pressure measurement and test instrument. It can simultaneously display the output of two pressure gauges, so that you can accurately monitor the filter's pressure drop.

Hydron Split Tanks



Designed for water treatment and commercial swimming pool facilities, built using the lasts in gel coated fibreglass technology.

- Durable
- Easy to maintain
- Flanged tank port connections
- Perfect for retrofit
- Easy transport
- Flexible configurations available
- Sight glass available



HYDRON SPLIT TANKS

Part Number	Product Description	Nominal Size
	Filter only	
223912008014	Hydron Split Filter 1200h 3"FL LCN	48"
223914008014	Hydron Split Filter 1400h 4"FL LCN	56"
223916008014	Hydron Split Filter 1600h 4"FL LCN	64"
223918008014	Hydron Split Filter 1800h 6"FL LCN	72"

Ideal for retrofitting

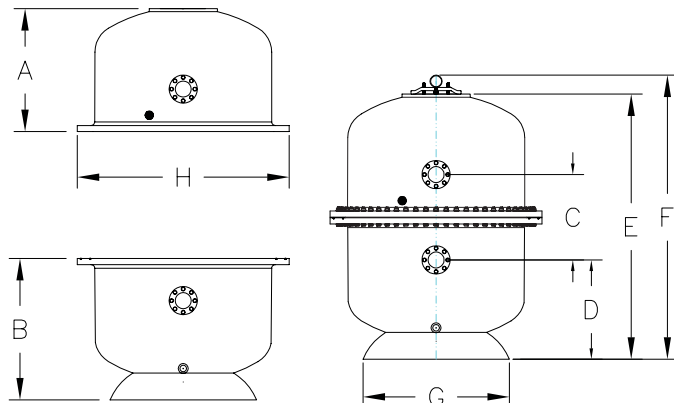
Hydron Split tank can be delivered in two parts and assembled on site in the plant room. The two halves seal perfectly using a double o ring and are held together by a flange using bolts and nuts. The filter is specifically designed to fit through existing standard size plant room doors.

Technical Specifications

Model No:	Port Size	Bed Depth	Inner Diameter	Filter Area	Filtration Flow Rates		Backwash Flow Rates		Sand	Glass Pearls 0.6-0.8
					30m ³ /hr/m ²	36m ³ /hr/m ²	40m ³ /hr/m ²	50m ³ /hr/m ²		
					m ³ /hr		m ³ /hr			
SMDT 1200	80	1200	1200	1.13	34	41	45	57	2045	2262
SMDT 1400	100	1200	1400	1.54	46	55	62	77	2840	3142
SMDT 1600	100	1200	1600	2.01	60	72	80	101	3685	4076
SMDT 1800	150	1200	1800	2.54	76	92	102	127	4975	5503

Dimensions (mm)

Model	A	B	C	D	E	F	G	H
SMDT 1200	1010	1095	700	749	2088	2245	1045	1521
SMDT 1400	1008	1165	700	814	2170	2330	1200	1737
SMDT 1600	995	1130	700	829	2130	2285	1200	1943
SMDT 1800	1105	1100	700	789	2188	2355	1760	2105



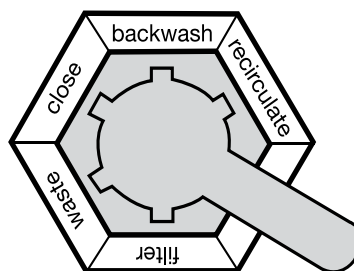
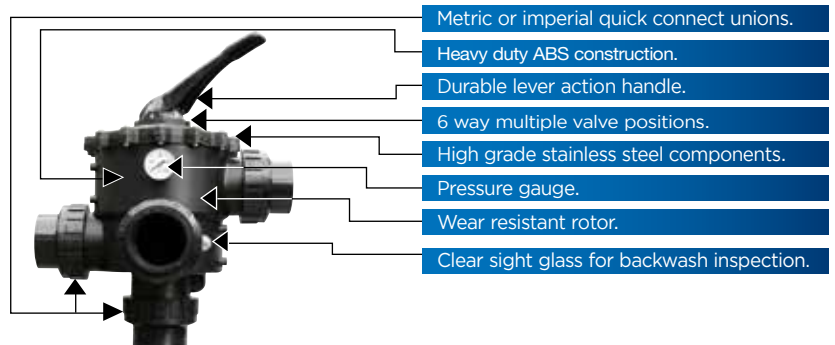
○ Multiport Valves

Heavy duty construction



MPV KITS FOR MICRON SAND FILTERS

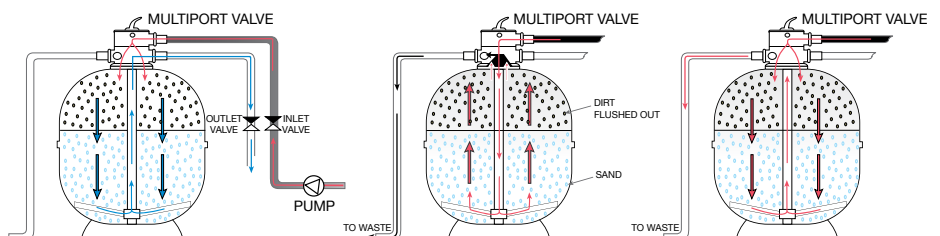
Part Number	Product Description	
2280422	TM 40mm MPV Clamp w BU	Thermoplastic T400 - T600 Clamp Type
228042	TM 40mm MPV c/w BU	Micron S500 - S700
2280441	TM 40mm MPV c/w BU (6way 4bar)	Micron S500 - S700
2280600	TM 65mm MPV w B Union	Micron S1050 w 12" neck
2290421	SM 40mm MPV	Micron SM400 - SM600 8" neck w 40mm Micron SMDD600 8" neck w 40mm
2290491	SM 40mmMK2 MPV c/w P.Kit	Micron SM600 8" neck w 50mm
22905010	SM/SMD/SMDD 65mm MPV c/w P.Kit	Micron SM1050 65mm w 12" neck Micron SM1200 65mm w 12" neck
2390495	DE SM 40mm MPV c/w P.Kit	Astra DE P2027
228053	TM 50mm MPV c/w BU	Micron S702 - S1200 Micron SD750, SD900
2290512	SM 50mm MPV	Micron SM700 - SM900 8" neck w 50mm Micron SMDD750 - SMDD900 8" neck w 50mm Micron SMDD1050 w 50mm connection
23905832	DE SM 50mm MPV c/w P.Kit	Astra DE P2036, P2048
2290820	SM 80mm MPV c/w P.Kit	Micron SM1050 - SM1600 w 80mm Micron SMDD900 - SMDD1400 w 80mm
2291005	SM100mm MPV c/w P.Kit	Micron SM1600 - SM2000



Multiport Valve Main Functions

- Filter** - downward flow through the filter bed to outlet
- Backwash** - upward flow through the filter bed to waste
- Rinse** - downward flow through the filter bed to waste
- Waste** - bypass the filter bed to waste
- Re-circulate** - bypass the filter bed to outlet
- Closed** - no flow to the filter

Cleansing a filter simply requires shifting the Multiport lever from the "filter" position to the "backwash" position, which reverses the flow of water in the filter, flushing the filter bed.



Warranty

Waterco Multiport valves are covered by 1 year warranty.

Aquabiome

Mechanical and Biological Filtration



Effective

Excellent Nitrification and Mechanical filtration.

Efficient

Hydraulically efficient filter design, balanced slotted laterals to maximize water flow and filtration.

Durable

Corrosion resistant and UV stabilised for outdoor installation.

Air-Backwash

Air assisted hydraulic backwash, saving time and water.

Superior Quality

Aquabiome fibreglass filters embody the latest in fibreglass winding technology.



4mm - 5mm Biofilter Media

AQUABIOME SKID

Part Number	Product Description
220008160	Aquabiome SM400 (Filter only)
220008165	Aquabiome SM400
220008200	Aquabiome SM500 (Filter only)
220008205	Aquabiome SM500
220008240	Aquabiome SM600 (Filter only)
220008245	Aquabiome SM600
220008300	Aquabiome SM750 (Filter only)
220008305	Aquabiome SM750
220008360	Aquabiome SM900 (Filter only)
220008365	Aquabiome SM900

Specifications

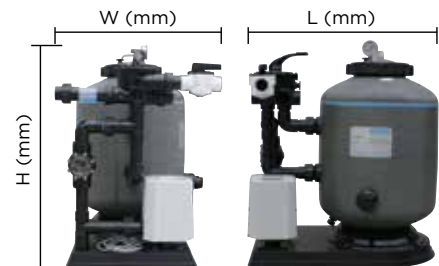
Aquabiome	ASM400	ASM500	ASM600	ASM750	ASM900
Nominal Diameter mm / inch	400 / 16	500 / 20	600 / 24	750 / 30	900 / 35
Filter Surface Area m ² / ft ²	0.13 / 1.4	0.2 / 2.1	0.3 / 3.2	0.44 / 4.9	0.64 / 7.15
Media Volume litres / gallons (US)	43 / 11.3	68 / 18	117 / 30.9	199 / 52.6	303 / 80
Media Weight kg / lbs	21.5 / 47.4	34 / 74.9	58.5 / 128.9	99.5 / 219.4	151.5 / 334
Biofilter Surface Area m ² / ft ²	47.3 / 509	74.8 / 805	128.7 / 1385	218.9 / 2356	333.3 / 3588
Inlet / Outlet Connections	40mm / 50mm 1/2" (EU)	40mm / 50mm 1/2" (EU)	40mm / 50mm 1/2" (EU)	50mm / 63mm 2" (EU)	50mm / 63mm 2" (EU)
Min - Max Flow Rate					
lpm	52 - 101	80 - 157	120 - 226	180 - 353	255 - 509
m ³ /hr	3.1 - 6.1	4.8 - 9.4	7.2 - 13.5	10.8 - 21.2	15.3 - 30.5
gpm (US gallon per min)	13.7 - 26.7	21.1 - 41.5	31.7 - 59.7	47.6 - 93.3	67.4 - 134.5
Max Pond Size litres / gallons (US)	13,000 / 3,434	20,000 / 5,300	36,000 / 9,500	60,000 / 15,900	90,000 / 24,000
Feed Rate kg / lbs per day	0.32 / 0.71	0.5 / 1.1	0.9 / 1.98	1.5 / 3.31	2.4 / 5.29
Total Ornamental Fish weight* kg / lbs	10.7 / 23.6	16.7 / 36.8	30 / 66.1	50 / 110.2	80 / 176.4
Total Aquaculture Fish weight* kg / lbs	32 / 70.5	50 / 110.2	90 / 198	150 / 330.7	240 / 529
Tank Diameter mm / inch	421 / 16.5"	520 / 20.5"	622 / 24.5"	772 / 30.4"	923 / 36.3"
Overall Height mm / inch	856 / 33.7"	815 / 32.1"	880 / 34.6"	993 / 39.1"	1115 / 43.9"
Valve Size mm / inch	40 / 1 1/2"	40 / 1 1/2"	40 / 1 1/2"	50 / 2"	50 / 2"
Bed Depth mm / inch	290 / 11.4"	290 / 11.4"	360 / 14.2"	400 / 15.7"	440 / 17.3"

* Maximum fish stocking weight depends on the percentage of body weight fed daily.

- Ornamental fish weight based on feeding rate of 3% of body weight.
- Aquaculture fish weight based on feeding rate of 1% of body weight.

Dimensions (mm)

Aquabiome	L (mm)	W (mm)	H (mm)
SM400	815	650	886
SM500	815	650	875
SM600	1040	650	925
SM750	1325	830	985
SM900	1328	930	1110



AQUABIOME MEDIA

Part Number	Product Description	Nominal Size
3532550	Aquabiome media (25kg / 50L bag)	per kg



Multiplex pool system data sheet 2018

WATERCO
water, the liquid of life

LiqTech

We have standards.

All our multiplex pool systems have high standards. We comply with WQA, which meets requirements of NSF/ANSI 50. We also comply with DS 477 the Danish Standard for pool systems as well as the Danish act for pool systems. This ensures you get clean and safe water.

All our systems are built using DIN standard components, ensuring easy standardised service options.





Save water. Save space. Fully automated.

Liqtech offers a new innovative filtration system based on high quality silicon carbide ceramic filters providing high efficiency and reduced life cycle costs.

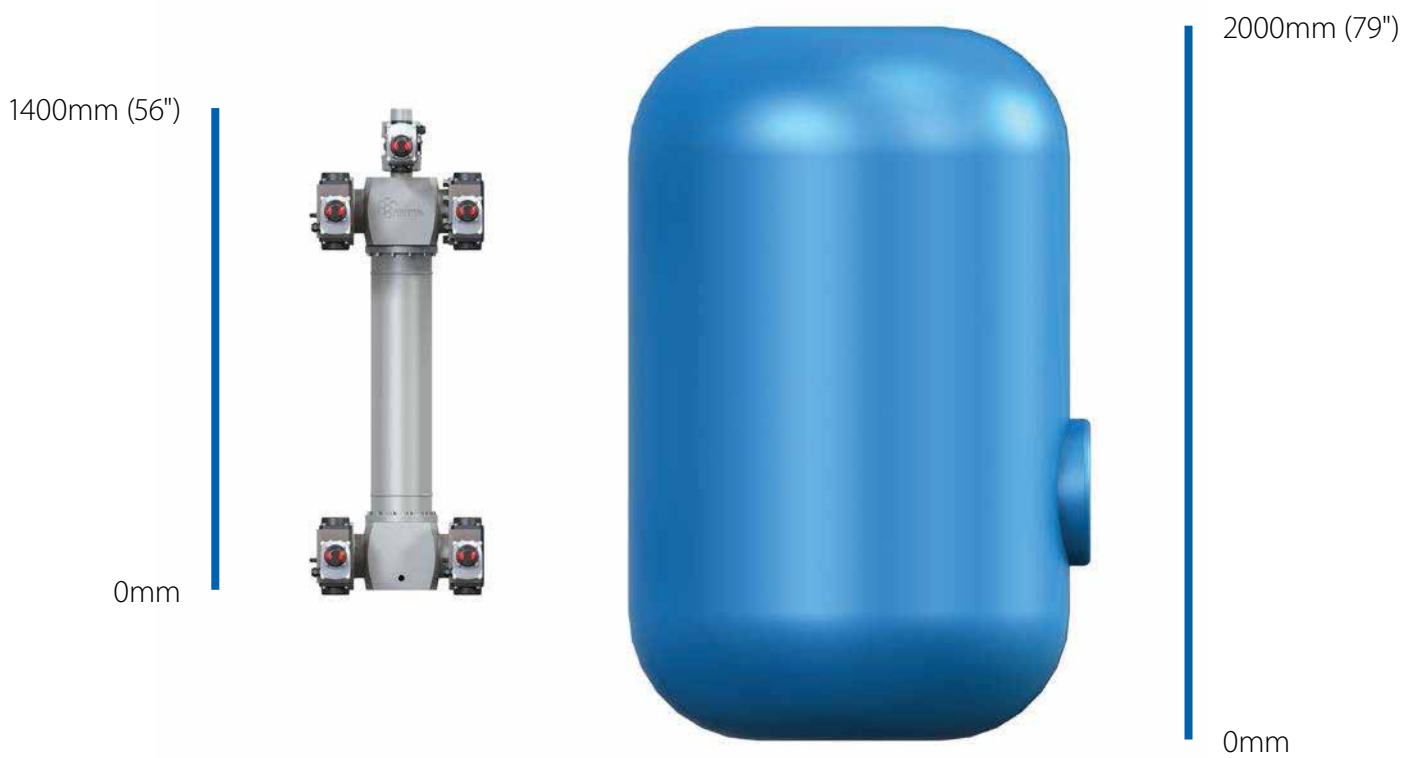
Our philosophy is to constantly develop new and more efficient filtration systems that provide environmentally friendly solutions, better water quality and be economically attractive.

Smaller modular based systems occupy much less space than traditional filters and provide a simple and effective means for retrofitting existing or designing new installations.

We have developed a unique cleaning process that uses significantly less water than other high rate sand or DE filtration systems, as we deploy an airflush sequence for each filter.

Our filters provide full automation with backwashing only done on the basis of the trans membrane pressure (TMP); thereby reducing water usage, daily supervision and maintenance. The advanced control system allows you to control any other components and attractions in the pool system, saving you time and money.

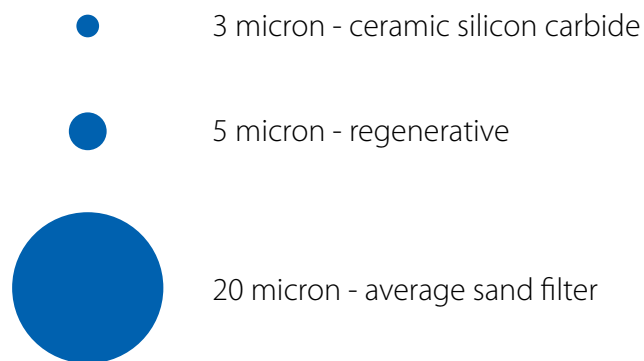
Size matters.



A ceramic silicon carbide filter is 22% smaller than a regenerative filter, and a full 72% smaller than a sand filter, based on equal pool volume and GPM/M³.

Tiny pore size. Colossal difference.

A standard pore size of 3 microns greatly increases water clarity. Organic and inorganic particles are removed within every 6 hours. This compares with a 1-2 week period depending on pool circulation time, thus eliminating the growth of bacteria and reducing chemical usage.



Using our ceramic filters decreases the need for chemicals such as chlorine and acid which in turn provides a better bathing experience and a better working environment. All in all, a much more environmentally friendly solution.

How it works.



The pore size of the membrane walls allows for water to pass through but dirt, bacteria and other substances are held back. Dirty water in, clean water out. It's as simple as that.

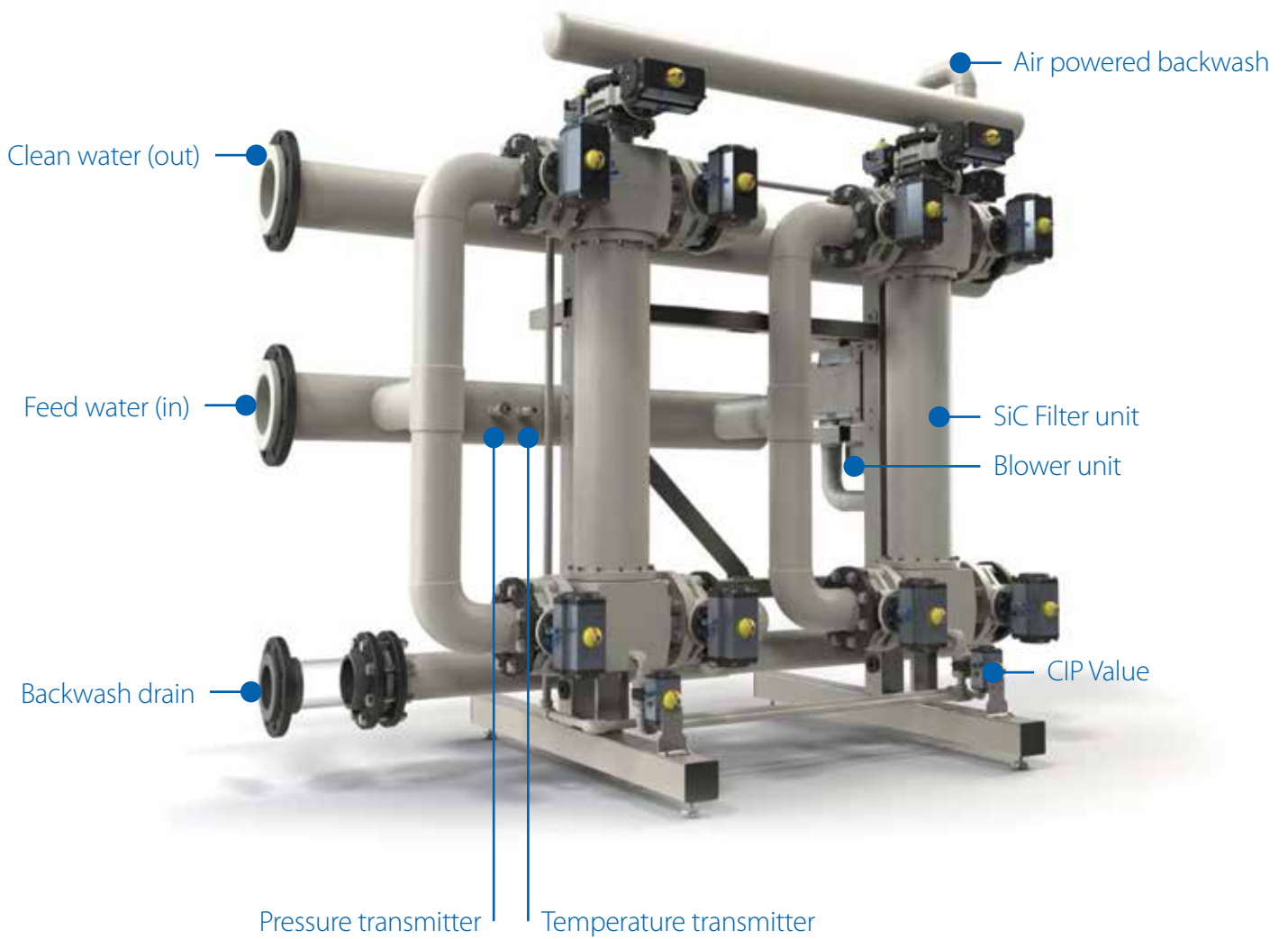
Way ahead.

	Ceramic	Regenerative	Sand	Cartridge	VAC DE	Vac sand
Automated system	+		+			
Uses less water for backwash	+	+		+		
Uses less chemicals	+			+	+	
Minimizes crypto	+	+				
Take up less space	+			+		
15+ year warranty	+	+				
Uses no media	+					
Removes organic and inorganic material daily	+				+	
Fully non-corrosive construction	+			+		
Filters down to 3 micron	+	+		+		
24/7 monitoring	+		+			
Control filter from anywhere in the world	+					
Fits through a 3x6 ft. doorway	+			+		
Minimal installation labor	+					
Pre-installed electrical and control	+					
Monitors temperature	+					
Monitors flow	+					
Monitors pressure and pressure drop	+					
Option for pH, chlorine and more	+					

No hidden costs. Plain and simple.

	Ceramic	Regenerative	Sand	Cartridge	VAC DE	Vac sand
Additional valves needed		yes	yes		yes	yes
Additional controllers needed		yes	yes	yes	yes	yes
Flow meter needed		yes	yes	yes	yes	yes
Filter pump needed		yes	yes	yes	yes	yes
Strainer needed	yes	yes	yes	yes		
Manual valves needed		yes	yes	yes	yes	yes
Backwash pump needed		yes			yes	
Install labor (USD)	1.000	20.000	15.000	10.000	30.000	25.000
Electrical hookup (USD)	3.000	20.000	20.000	15.000	20.000	20.000
Average cost of media per year (USD)	0	3.000	1.000	3.000	4.000	3.000

System overview



Unleash the beast.

Primary benefits

Fully automated Allan Bradley/Rockwell PLC

Data logging for analysis and optimization

Controls all feed and recirculation pumps, valves and sensors

Continuous monitoring of entire systems

Alarms via SMS and e-mail

Simple HMI

Full integration of aux equipment and attractions

Onsite and remote control of the system

Additional benefits

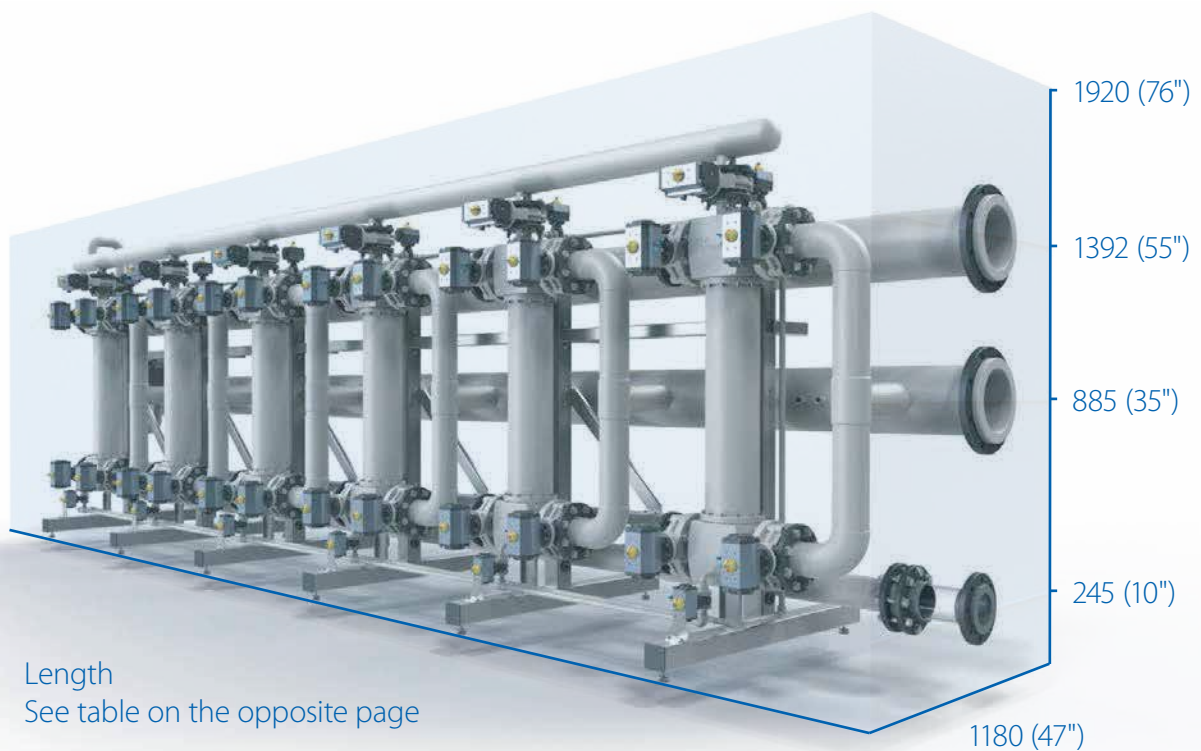
Reduces filter room size

Faster return of investment due to lower water and chemical consumption

Lifetime warranty on our ceramic silicon carbide filters

2 year system warranty

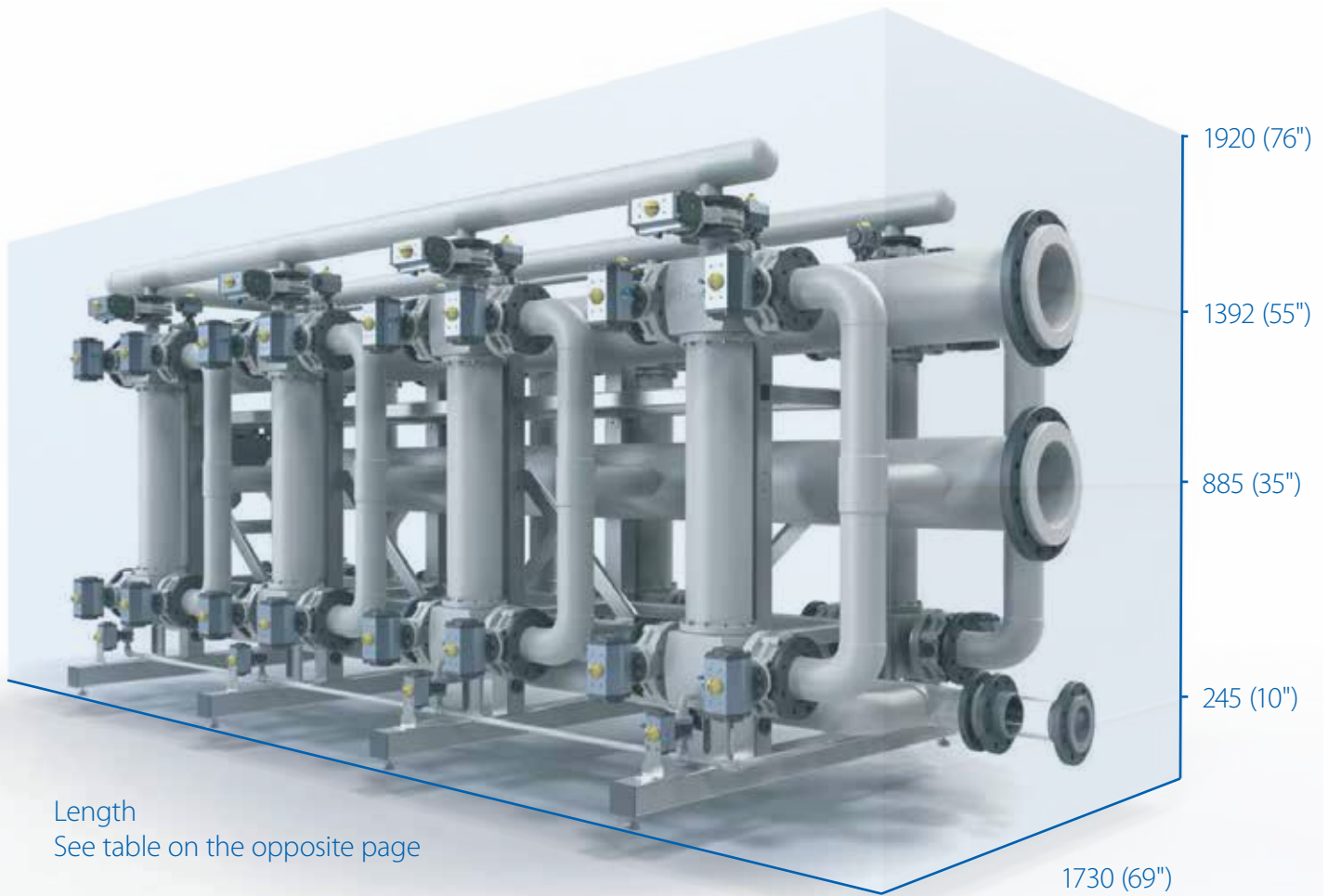
Multiplex. Single row.



Sizes.

	Height	Width	Length	Connection
2	1920 (76")	1180 (47")	2250 (88")	160 (6")
3			3200 (126")	160 (6")
4			4150 (164")	180 (6")
5			5100 (201")	200 (8")
6			6050 (239")	225 (8")

Multiplex. Dual row.



Sizes.

	Height	Width	Length	Connection
3	1920m (76")	1730mm (69")	2250mm (88")	160mm (6")
4			2250mm (88")	180mm (6")
5			3200mm (126")	200mm (8")
6			3200mm (126")	225mm (8")
7			4150mm (164")	250mm (10")
8			4150mm (164")	250 (10")



WATER & WELLNESS
RANDERS



Randers Water and Wellness

In correlation with the erection of a new leisure center in Randers, Denmark, it was requested to have a water treatment system capable of accommodating any future high demands. The system was required to be able to treat the water from five pools with a total capacity of 1650 m³/h (7250 GPM).

One of the main objectives in Randers was to find a solution comprising a very compact system, yet still with an eye to water-, chemicals- and energy savings.

The solution was a hightech water treatment system from Liqtech Systems, featuring microfiltration membranes. It was chosen based on its ability to provide the best available and most dense water filtration technique, hence quality, for pool systems. The Liqtech system also saved vast amounts of water used for backwashing the system, while running flawlessly and reliably.

Today the microfiltration systems runs smoothly in Randers providing superior water quality, delivering remarkable savings on backwash, electricity, chemicals and maintenance.

"We wanted to build the most modern and energy efficient swimming pool in Denmark. The project was originally specified with regular sand filters, but when we came across the ceramic filters from Liqtech Solutions we were immediately convinced that this was the right solution for us. The compact design of the filters allowed us to downsize the basement area and save a lot of construction costs, but the decisive factor was the low consumption of water and energy. The facility is a PPP (Public Private Partnering) and we are going to run the facility for 30 years. Because of this it was important for us to choose the system with the lowest life cycle cost."

Gribskov Gruppen A/S
Anders Skak, CEO

Liqtech

In essence LiqTech was created out of the need for new technologies to meet ever increasing demands for cleaner air and cleaner water. The company was born from a vision that technology companies with the right products and management could deliver sustainable profits and growth.

LiqTech is a US listed (NYSE:LIQT) technology company headquartered in Denmark, who for more than 10 years has been at the leading edge in developing and marketing its own proprietary products to the cleantech industry.

At its core is the ability to manipulate Silicon Carbide (SiC) – one of the most durable of manmade materials which has allowed it to make a high value, high performance product for liquid and gaseous applications.



WATERCO

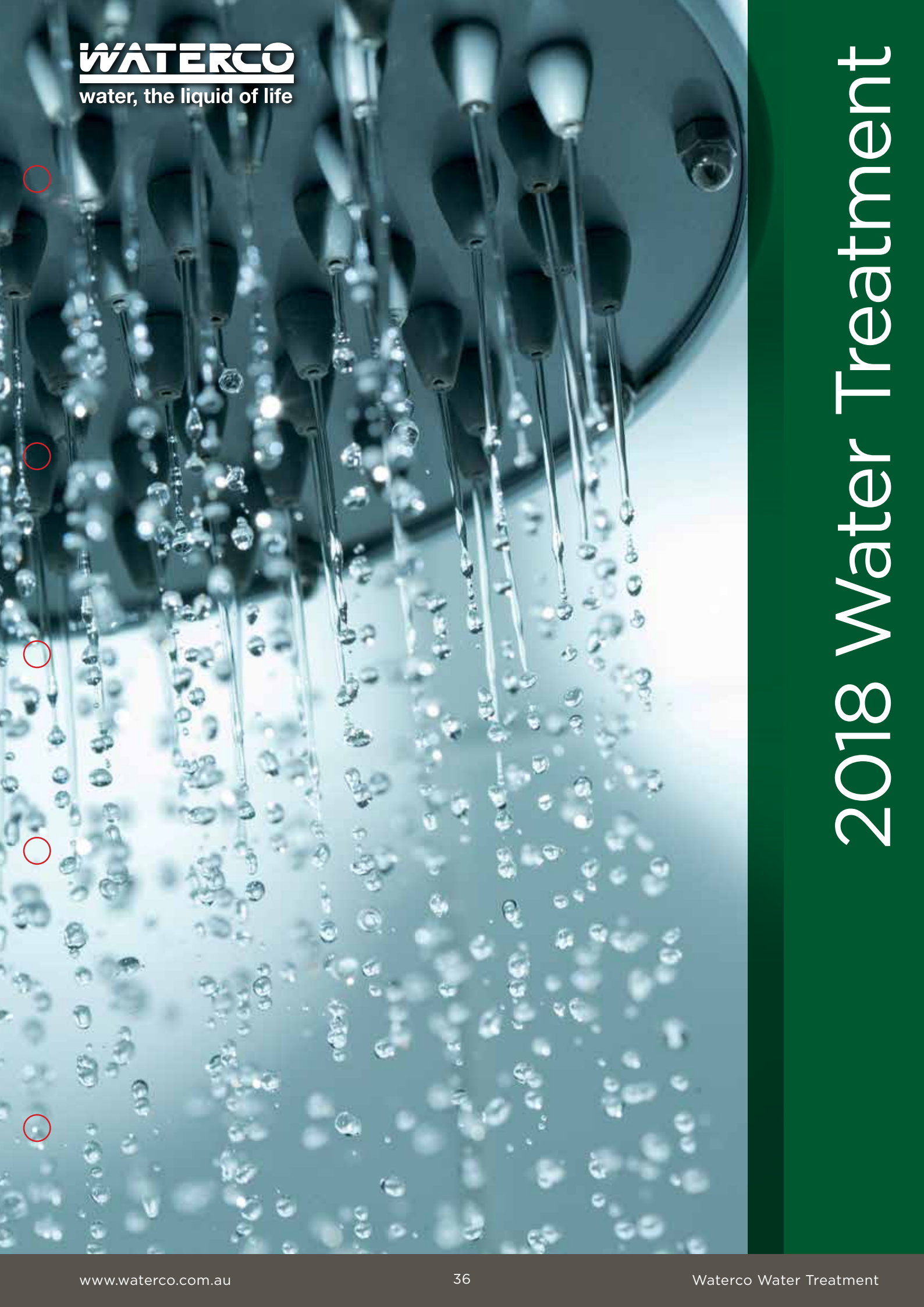
water, the liquid of life

Australian and New Zealand distributor;

Waterco Limited
36 South Street
Rydalmere NSW 2116
Ph: +61 2 9898 8600
Fx: +61 2 9898 1877
www.waterco.com.au



LiqTech



2018 Water Treatment

Optional Extras

Enjoy clear water through your whole house

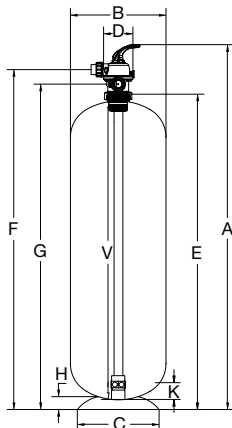


- **Effective Filtration**
- **Minimal Maintenance**
- **Dependable Strength and Durability**

Warranty

Product	Full Warranty	Pro-Rata Warranty
1. Residential Applications		
• W250/W300	5 years	Not applicable
• Other W/WD	2 years	3 years
2. Commercial Applications		
• W250/W300	2 years	Not applicable
• Other W/WD	2 years	not applicable
		3 years

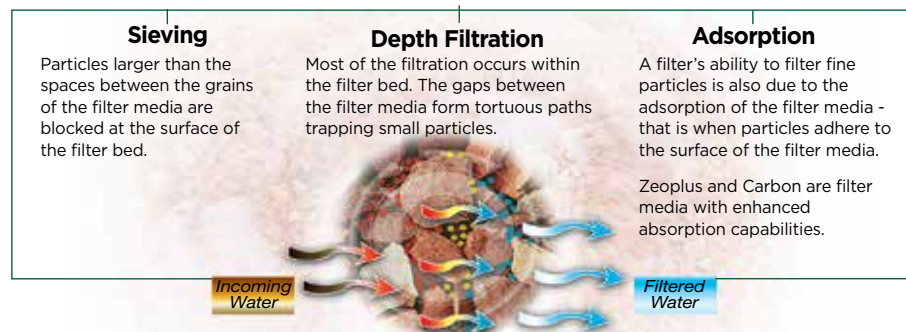
* Please refer to Waterco's warranty terms and conditions.



MICRON W FILTERS

Part Number	Product Description
2247250	Micron W250 (700kPa) - c/w 40mm 5 way MPV
22473010	Micron W300 (700kPa) - c/w 40mm 5 way MPV

The Filtration Process



Micron W series filter is capable of filtering out particles as small as 10 microns (0.01mm).

Strength and Durability

A Micron W's innovative design and superior construction techniques provide it the strength to cope with working pressures up to 700kPa. (Equivalent to 71 tonnes per square meter.)

Refined Filament Winding

Waterco's advanced filament winding machine winds continuous strands of fibreglass onto the filter's inner tank to strengthen the filter so that it is able to withstand high water pressures as well as fluctuating water pressures.

Specifications

Filter Model	Valve Size	Bed Depth	Inner Diameter	Filter Area	Max. Flow*	Media Volume	Sand 16/30	Glass Pearls 0.6-0.8
	mm	mm	mm	m ²	lpm	litres	kg	kg
W250	40	600	250	0.05	30	62	60	66
W300	40	600	300	0.07	42	87	85	94

Dimensions (mm)

Model	A	B	C	D	E	F	G	H	V	K
W250	1385	268	304	160	1119	1252	1172	162	955	180
W300	1366	322	346	160	1100	1233	1153	175	955	180

Callouts for Filter Tank:

- Moulded from Engineered Plastic
- Robust Connection
- Polypropylene Inner Tank (Polypropylene is a versatile polymer which is also used to make household items such as dishwasher-safe food containers.)
- Refined Filament Winding
- Ultra Violet Light and Corrosion Resistant

Micron W & WD Filters

Deep Bed Filters



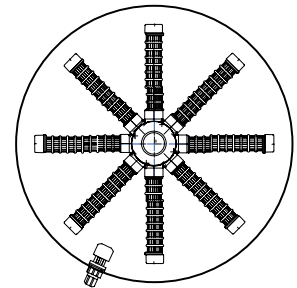
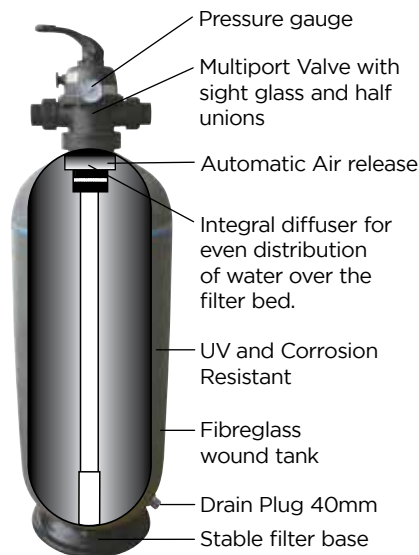
Technologically Advanced

Micron filters consist of a blow moulded inner shell of fibreglass reinforced polyester resin strengthened with multiple layers of continuous strands of fibreglass filament.

Micron filters are wound with precision by Waterco's digital filament winding machines, for refined consistency and superior quality.

MICRON W FILTERS

Part Number	Product Description
2247250	Micron W250 (700kPa) - c/w 40mm 5 way MPV
22473010	Micron W300 (700kPa) - c/w 40mm 5 way MPV
22473570	Micron W350 (700kPa) - c/w 40mm 5 way MPV
22474070	Micron W400 (700kPa) - c/w 40mm 5 way MPV
22475070	Micron W500 (700kPa) - c/w 40mm 5 way MPV
22476070	Micron W600 (700kPa) - c/w 40mm 5 way MPV
22477070	Micron W700 (700kPa) - c/w 40mm 5 way MPV

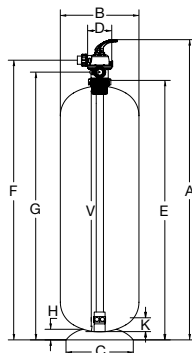


Conventional lateral configuration in W & WD Series applies to models W500 to WD900 only

Warranty

Product	Full Warranty	Pro-Rata Warranty
1. Residential Applications • W250/W300 • Other W/WD	5 years 2 years	Not applicable 3 years
2. Commercial Applications • W250/W300 • Other W/WD	2 years 2 years 2 years	Not applicable not applicable 3 years

* Please refer to Waterco's warranty terms and conditions.



Specifications

Filter Model	MPV Size	Filter Bed Depth	Filter Bed Area	Filtration Flow Rates		Backwash Flow Rates		Filter Bed Volume	Sand 16/30	Glass Pearls 0.6-0.8
				lpm	m ³ /hr	lpm	m ³ /hr			
W250	40	600	0.05	30	1.8	33	2	41	60	66
W300	40	600	0.07	42	2.5	47	2.8	58	85	94
W350	40	600	0.10	60	3.6	67	4	79	115	127
W400	40	600	0.13	78	4.7	87	5.2	79	115	158
W500	40	600	0.20	120	7.2	133	8	123	180	199
W600	40	600	0.28	168	10.1	187	11.2	175	255	282
W700	40	600	0.38	228	13.7	253	15.2	240	350	387

Dimensions (mm)

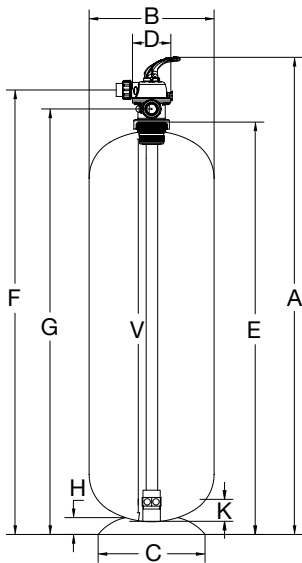
Model	A	B	C	D	E	F	G	H	V	K
W250	1385	268	304	160	1119	1252	1172	162	955	180
W300	1366	322	346	160	1100	1233	1153	175	955	180
W350	1397	366	355	160	1130	1262	1183	63	1010	180
W400	1377	416	355	160	1110	1242	1163	63	995	76
W500	1415	518	443	160	1148	1280	1201	69	1014	76
W600	1402	620	540	160	1135	1267	1188	88	992	76
W700	1407	720	540	160	1140	1272	1193	88	1015	86

Micron W & WD Filters

Deep Sand Filters



Micron WD filters are designed with filter bed depths of 1000mm providing enhanced filtration and increased contact time.



MICRON WD FILTERS

Part Number	Product Description
22483070	Micron WD300 (700kPa) - c/w 40mm 5 way MPV
22483570	Micron WD350 (700kPa) - c/w 40mm 5 way MPV
22484070	Micron WD400 (700kPa) - c/w 40mm 5 way MPV
22485070	Micron WD500 (700kPa) - c/w 40mm 5 way MPV
22486070	Micron WD600 (700kPa) - c/w 40mm 5 way MPV
22487070	Micron WD700 (700kPa) - c/w 40mm 5 way MPV

Specifications

Filter Model	MPV Size	Filter Bed Depth	Filter Bed Area	Filtration Flow Rates 36m ³ /hr/m ²		Backwash Flow Rates 40m ³ /hr/m ²		Filter Bed Volume	Sand 16/30	Glass Pearls 0.6-0.8
				lpm	m ³ /hr	lpm	m ³ /hr			
WD300	40	1000	0.07	42	2.5	47	2.8	86	125	138
WD350	40	1000	0.10	60	3.6	67	4	116	170	188
WD400	40	1000	0.13	78	4.7	87	5.2	129	188	208
WD500	40	1000	0.20	120	7.2	133	8	199	290	321
WD600	40	1000	0.28	168	10.1	187	11.2	288	420	465
WD700	40	1000	0.38	228	13.7	253	15.2	394	575	636

Dimensions (mm)

Model	A	B	C	D	E	F	G	H	V	K
WD300	1977	315	301	160	1710	1841	1762	75	1590	180
WD350	1997	366	356	160	1730	1861	1782	63	1612	180
WD400	1987	416	356	160	1720	1851	1772	63	1595	76
WD500	2009	518	443	160	1742	1873	1794	69	1600	76
WD600	1997	620	540	160	1730	1861	1782	88	1582	76
WD700	2002	720	540	160	1735	1866	1787	88	1622	86

Warranty

Product	Full Warranty	Pro-Rata Warranty
1. Residential Applications <ul style="list-style-type: none"> W250/W300 Other W/WD 	5 years 2 years	Not applicable 3 years
2. Commercial Applications <ul style="list-style-type: none"> W250/W300 Other W/WD 	2 years 2 years 2 years	Not applicable Not applicable 3 years

* Please refer to Waterco's warranty terms and conditions.

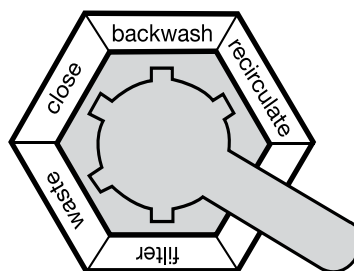
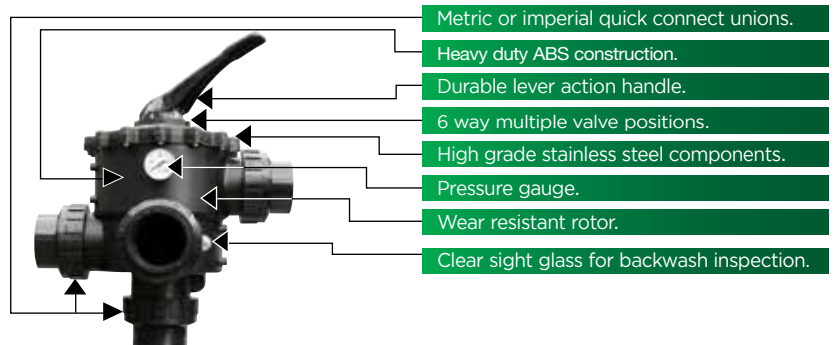
Multiport Valves

Heavy duty construction



MPV KITS FOR MICRON SAND FILTERS

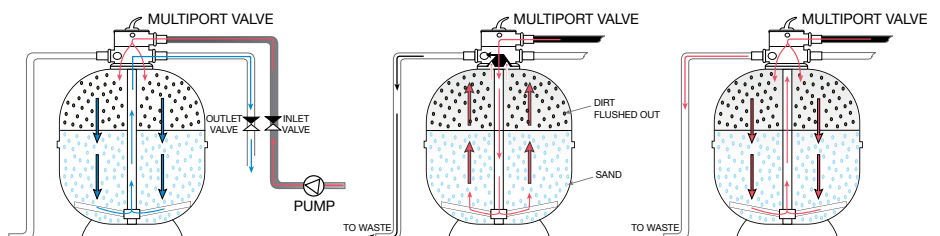
Part Number	Product Description	
2280422	TM 40mm MPV Clamp w BU	Thermoplastic T400 - T600 Clamp Type
228042	TM 40mm MPV c/w BU	Micron S500 - S700
2280441	TM 40mm MPV c/w BU (6way 4bar)	Micron S500 - S700
2280600	TM 65mm MPV w B Union	Micron S1050 w 12" neck
2290421	SM 40mm MPV	Micron SM400 - SM600 8" neck w 40mm Micron SMDD600 8" neck w 40mm
2290491	SM 40mmMK2 MPV c/w P.Kit	Micron SM600 8" neck w 50mm
22905010	SM/SMD/SMDD 65mm MPV c/w P.Kit	Micron SM1050 65mm w 12" neck Micron SM1200 65mm w 12" neck
2390495	DE SM 40mm MPV c/w P.Kit	Astra DE P2027
228053	TM 50mm MPV c/w BU	Micron S702 - S1200 Micron SD750, SD900
2290512	SM 50mm MPV	Micron SM700 - SM900 8" neck w 50mm Micron SMDD750 - SMDD900 8" neck w 50mm Micron SMDD1050 w 50mm connection
23905832	DE SM 50mm MPV c/w P.Kit	Astra DE P2036, P2048
2290820	SM 80mm MPV c/w P.Kit	Micron SM1050 - SM1600 w 80mm Micron SMDD900 - SMDD1400 w 80mm
2291005	SM100mm MPV c/w P.Kit	Micron SM1600 - SM2000



Multiport Valve Main Functions

- Filter** - downward flow through the filter bed to outlet
- Backwash** - upward flow through the filter bed to waste
- Rinse** - downward flow through the filter bed to waste
- Waste** - bypass the filter bed to waste
- Re-circulate** - bypass the filter bed to outlet
- Closed** - no flow to the filter

Cleansing a filter simply requires shifting the Multiport lever from the "filter" position to the "backwash" position, which reverses the flow of water in the filter, flushing the filter bed.



Warranty

Waterco Multiport valves are covered by 1 year warranty.

Fleck Valves

Automated Valve

MICRON AUTOMATED VALVES

Part Number	Product Description
72535601	Fleck 5600 SXT Automatic Softener Valve Assembly
72532752	Fleck 2750SXT Automatic Valve Assembly - BB
72532753	Fleck 2750NXT Automatic Valve Assembly - BB - RS
72532852	Fleck 2850sSXT Automatic Valve Assembly - BB
72532853	Fleck 2850sNXT Automatic Valve Assembly - BB - RS
72533151	Fleck 3150NXT Automatic Valve Assembly - BB - RS
72533152	Fleck 3150NXT Automatic Valve Assembly - BB - SM

Automatic controllers that use the latest in electronic technology to control the filtration and water softening processes. The regeneration (backwash) can be initiated automatically by one of the multiple options offered by the controller: metered (demand), time clock, day override or by a remote signal. They are available in different models and configurations to fulfil the technical specifications required by the application.

CONTROLLERS

NXT - Network controller uses on board communication capabilities to allow remote start regeneration (e.g. by differential pressure switch) and link multiple valves via an off the shelf CAT5, or better.

SXT - Large LCD display for filtration and softener systems and a user selectable time clock or metered function.

AUTOMATIC VALVES

Fleck 5600

- Domestic Water Softening Applications
- Plastic body (Noryl)
- Filter Size Recommended: W250 - W350
- Connections: 20 mm



Fleck 2750

- Industrial Filtration Applications
- Brass body
- Filter Size Recommended: W250 - W400
- NXT and SXT version
- Connections: 25 mm



Fleck 2850s

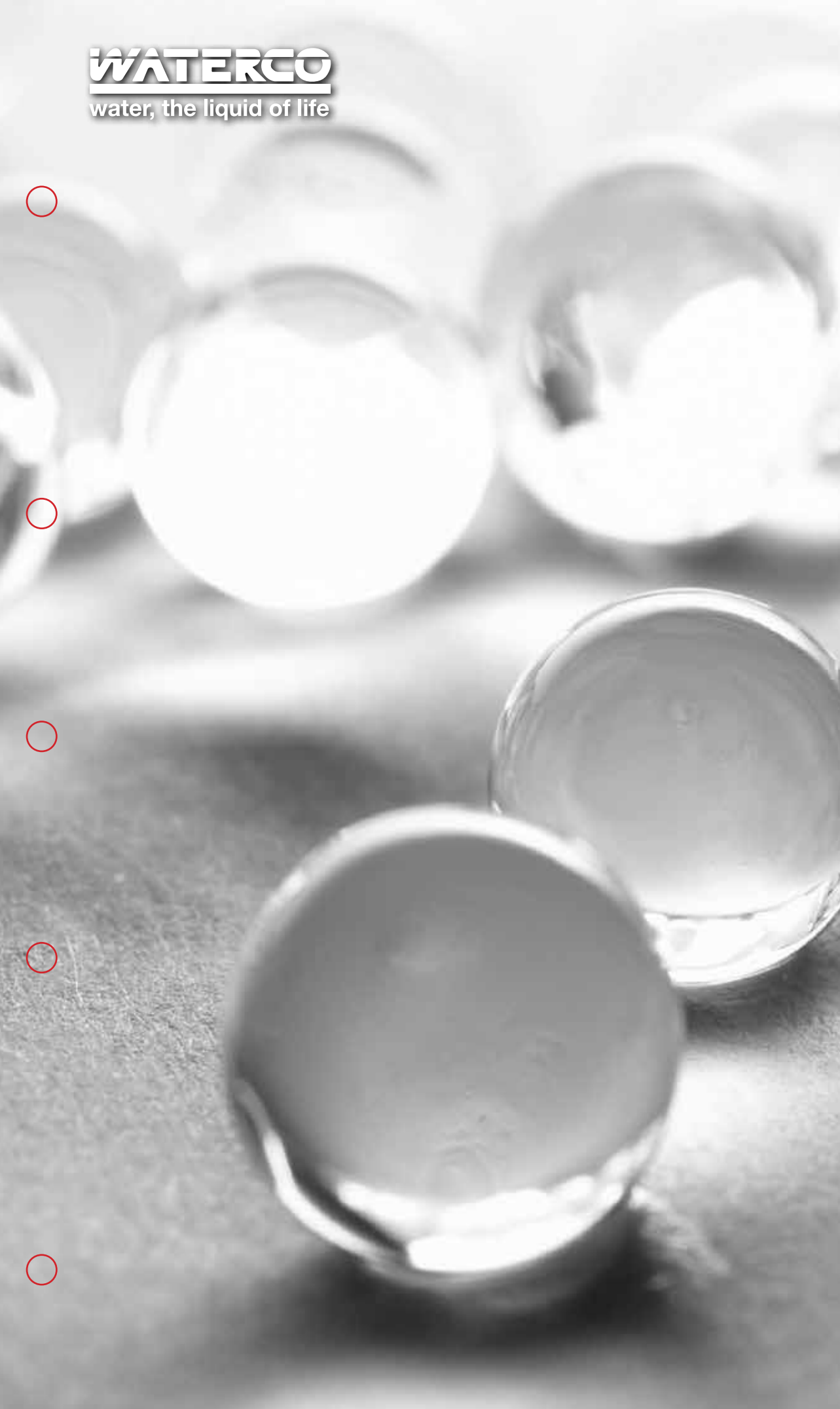
- Industrial Filtration Applications
- Brass Body
- Filter Size Recommended: W400 - W700
- NXT and SXT version
- Connections: 40 mm



Fleck 3150

- Industrial Filtration Applications
- Brass Body
- Filter Size Recommended: W700 and SM filters
- NXT version only
- Side Mount adaptor Available for Side Mount Filter Application
- Connections: 50 mm





Glass Pearls

Advanced Filter Media



Manufactured from pure glass, Glass Pearls are a new generation of filter media, capable of providing water of superior clarity.

Its spherical shape results in low coefficient of friction, reducing backwash requirements, saving pool owners both time and water.

- 3 micron filtration
- 20% less backwash water
- High purity
- Safe and smooth
- Time saving
- 0.6mm to 0.8mm in size



GLASS PEARLS

Part Number	Product Description
35320011	Glass Pearl Media 0.6 - 0.8mm

Superior Clarity

Glass Pearls have a small effective size of only 0.6mm to 0.8mm. Its narrow particle size range allows in-depth filtration and extends operating cycles between backwashing. Glass Pearls have been laboratory tested to be able to effectively filter down to below 3 microns.

Save Water

Glass Pearls spherical smooth shape, results in a low coefficient of friction, reducing its backwash water requirements. Glass Pearls backwashes with up to 20% less water than sand, saving time and water.



High Purity

Glass Pearls are manufactured from pure glass and chemically inert. Glass Pearls have been independently lab tested for leaching contaminants and found to be well within Australian Drinking Water Guidelines.

Safe and Smooth

Glass Pearls are spherical and do not have any sharp edges. They are safe to handle and safe to service. If there is ever a failure of the filter's laterals and Glass Pearls flow into the swimming pool, they pose no risk of injury to swimmers.

Time Saving

Glass Pearls are easy to install and enables a rapid start up of the media filter. Its high purity means very little backwashing is required to cleanse the filter media, prior to commissioning the filter.



Technical Specifications	
Filtration Media	Glass Pearl
Effective Size (mm)	0.61
Uniformity Coefficient	1.21
Bulk Density	1.61
Mohs Hardness	7.0

Chemical Compositions	
Silicon dioxide (SiO ₂)	70.00 - 75.00%
Sodium oxide (Na ₂ O)	12.00 - 15.00%
Calcium oxide (CaO)	7.00 - 12.00%
Magnesium oxide (MgO)	approx. 5.00%
Aluminium oxide (AL ₂ O ₃)	approx. 2.50%
Potassium oxide (K ₂ O)	approx. 1.50%

ECOPURE

GLASS MEDIA



Grade 1 equivalent to 16/30 Grade sand

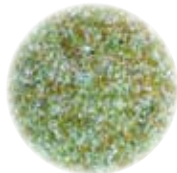


Grade 3 equivalent to 6mm gravel



ECOPURE GLASS MEDIA

Product Description	Nominal Size
Grade 1 (0.5mm -1mm)	25kg bag
Grade 2 (1mm - 3mm)	25kg bag
Grade 3 (3mm - 6mm)	25kg bag



Grade 1
0.5mm-1mm

Waterco Glass media has the green credentials, and with its superior performance is also cost effective in comparison to sand.

Waterco Glass media has many benefits over sand:

- Waterco Glass media is more efficient**
 It removes 30% more material and pollutants than sand, so saving on backwashing and the resultant water, energy and chemical treatment costs
- Waterco Glass media keeps cleaner**
 It is less susceptible to bio-fouling. As the product is heat treated surfaces are smooth, so requiring less remedial action and again less chemical treatment to kill pollutants
- Waterco Glass media requires less material**
 It is less dense than sand, requiring 20% less media to fill the equivalent filter
- Waterco Glass media doesn't degrade**
 It therefore has a longer life span
- Waterco Glass media**
 Is suitable for both commercial and domestic applications
- Other sizes available:**
 0.0 - 0.2mm, 0.2 - 0.5mm, 0.5 - 1.0mm, 0.7 - 1.5mm, 1.0 - 2.0mm, 1.0 - 3.0mm, 3.0 - 6.0mm



Grade 2
1mm-3mm



Grade 3
3mm-6mm



Sand, Anthracite, Carbon

Advanced Filter Media



Sand (16/30)

SAND

Part Number	Product Description	Nominal Size
35304	Waterco Sand (0.6 - 1.2mm)	25kg
35300111	Sand (16/30) - Suitable for Filter Bed	25kg
35300121	Sand (8/16) - Suitable for Softeners	20kg
35303	Sand (0.6 - 1.2mm)	20kg

Sand

Filter sand is naturally occurring, graded and washed silicon dioxide. An inert media, it is hard and durable and has a long service life.

Nominal size : (35304) 0.6 - 1.2mm
(3530011, 35300111) 0.6 - 1.2mm

Bulk density : 1,500kg/m³
Package size : refer to above table

ANTHRACITE

Part Number	Product Description
35340101	Anthracite Filter Media - Suitable for FS30, FS30A, FS40, FS40A

Anthracite

Crushed and graded anthracite coal makes an ideal medium weight filter media. Due to its irregular shape, sediment penetrates deeper into the bed resulting in longer service runs.

Nominal size : 1.0 - 1.1mm
Bulk density : 650 kg.m³
Package size : 22kg/32.5L per bag

CARBON

Part Number	Product Description
353300092	general purpose

Granular Activated Carbon (GAC)

The high surface area, in the form of cavities, to volume ratio of GAC increases its adsorptive capacity. GAC is used for reducing organics, volatile organic compounds (VOCs) and taste and odour causing constituents.

Nominal size : 0.42 - 1.7mm
Bulk density : 280 - 320kg/m³
Package size : 25kg/54.4L per bag

Sand (8/16)



Sand (30/60)



Anthracite



Carbon



Zeoplus

Advanced Filter Media



ZEOPPLUS

Product Description	Nominal Size
Waterco ZeoPlus	20kg

ZeoPlus

ZeoPlus is a naturally occurring mineral rock, found in areas where there has been historic volcanic activity. Its microporous structure and ammonia removal properties will significantly improve the quality of your swimming pool water.

Nominal size	: 1.0 - 2.2mm
Bulk density	: Around 1200 kg/m ³
Package size	: 20kg bag

- Reduce Ammonia** - Reduces the odour of chloramines commonly associated with chlorinated water.
- Soften Water** - Reduces formation of scales on hot water system.
- Reduce Iron** - Reduces staining of sanitary wares and clothing.
- Elevate the pH of Mildly Acidic Water** - Reduces the formation of rust in iron pipes.

zeoplus
ADVANCED FILTER MEDIA



enviopro
SAVE TIME, WATER AND ENERGY

Regenerating Salt, Resins



Softening Resin

REGENERATING SALT

Part Number	Product Description	Nominal Size
3521923	25kg Special Coarse Salt Special coarse salt for regenerating softeners/purifiers.	25kg Bag

Regenerating Salt

When ion exchange resin becomes saturated with calcium and magnesium ions, its absorptivity must be restored by means of regeneration. Regenerating salt is added to restore the capacity of the ion exchange resin.

Nominal size	: 7mm
Bulk density	: 1,000kg/m ³
Package size	: 25kg per bag

RESINS

Part Number	Product Description
35320051	Softening Resin (SKIB) Suitable for S7, S7A, S14, S14A, S14V, PS4, PS4A W7, W7A, W7V and Cation column of demineraliser
35320061	Purifier Resin SA12A Suitable for WPS4, WPS4A, WPS4V, PS9, PS9A, PS9V
35320081	Demineraliser Resin NRW37

Softening resins

Softening resins remove the hardness ions and replaces them with sodium ions. When the resin bed is exhausted, the capacity is restored by regeneration with regenerating salt.

Particle size	: +1.2mm <5%, -0.3mm <1%
Package size	: 20kg/25L per bag

Purifying resins

Purifying resins are a strong based anion exchanger for the removal of organic colour, bad tastes and odors, chlorine and fluoride. It has excellent regeneration efficiency and rinse characteristics. Ideal for both mixed bed and layered bed demineralizer systems.

Particle size	: +1.2mm <2%, -0.3mm <1%
Package size	: 17kg/25L per bag

Demineralisation resins

This is a high quality mixed bed of anion and cation resins for direct purification of water.

Package size	: 18.5kg/25L per bag
--------------	----------------------



Purifier Resin



Demineraliser

Gravel, Garnet, Aqua Perl, Iron Removal

Advanced Filter Media



Gravel

GRAVEL

Part Number	Product Description
35350671	Gravel (1/4 x 1/8) - Suitable for Filters/Softeners
35354441	Gravel (1/2 x 1/4) - Suitable for Softeners/Filters

Gravel

For providing a support for media above the under drains and allowing an even distribution of flow of water across the filter bed during filtering and backwashing. The gravel also prevents the filter bed media from being lost during the operation.

Nominal size	: (35350671) 2 - 5mm (35354441) 6 - 12mm
Bulk density	: 1,250kg/m ³
Package size	: (35350671) 25kg/17.1L per bag (35354441) 20kg/14.7L per bag

GARNET

Part Number	Product Description	Nominal Size
3530010	Garnet	25kg/10.5L

Garnet

Garnet is used in dual or multi- media filter. Being a small mesh media and due to its high density, it is ideal in very fine filtration. The larger particles are filtered by lighter, larger mesh media on top while Garnet occupies the bottom layer.

Nominal size	: 0.2 - 0.6mm
Bulk density	: 2,400kg/m ³
Package size	: 25kg/10.5L per bag

AQUA PERL

Part Number	Product Description	Nominal Size
3511053	Aqua Perl (Carton Pack)	4.5kg
3511113	Aqua Perl (Bag)	10kg

Aqua Perl

Aqua Perl is a porous powder with microscopic openings. Clear water can pass through these openings, but particles, as small as one to three microns, are trapped during the first pass through the media.

Nominal size	: 5 micron
Bulk density	: 210kg/m ³
Package size	: 4.5kg Bag and 10kg Bag

DMI65 IRON REMOVAL MEDIA

Part Number	Product Description	Nominal Size
3532010	DMI65 Iron Removal Media	20kg/13.7L

DMI-65 Iron Removal Media

DMI-65 is used for removing Iron and Manganese. It can also be used as a mechanical filtration media due to its high capacity to filter out suspended solids to approximately larger than 10 microns. Under certain conditions, DMI-65 can also remove Arsenic, Aluminium and Hydrogen Sulfide.

Nominal size	: 0.43mm
Bulk density	: 1,457kg/m ³
Package size	: 20kg/13.7L per bag



2018 Pre-Filters

MULTICYCLONE 12 & 16

Centrifugal Pre-filtration



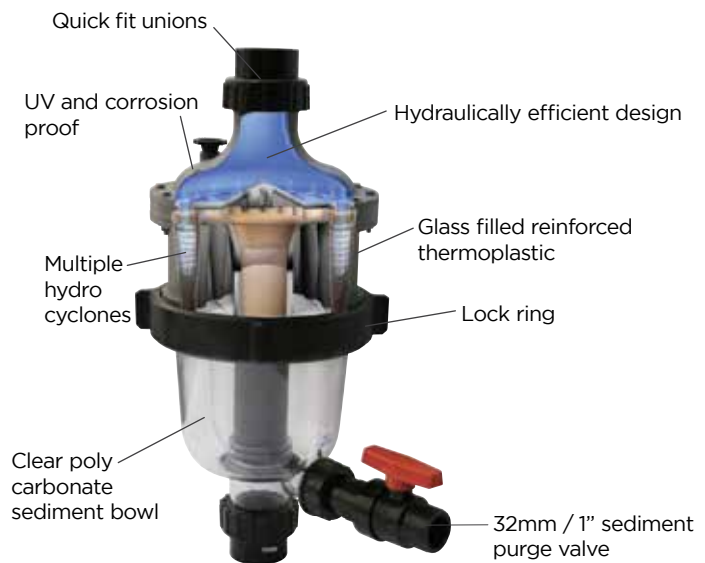
MC16



MC12

MULTICYCLONE 12 & 16

Part Number	Product Description	Nominal Size
200370	MultiCyclone MC16	50mm
200371	MultiCyclone MC12	40mm



Incoming water enters hydro-cyclones tangentially, generating a strong centrifugal effect. The sediment is spun out to the hydro-cyclone's wall, and then spirals down to the sediment chamber. The filtered water migrates towards the centre of the hydro cyclone where the flow reverses and spirals upwards through the outlet.

Accumulation of sediment can be visibly monitored through the MultiCyclone's clear sediment chamber.

The MultiCyclone is easily cleaned by opening the valve. Only 15 litres of water is discharged to cleanse the MultiCyclone.

MultiCyclone is easy to install and fits to most existing filtration systems. There are no moving parts to wear out and replace and it's backed by Waterco's 2 year warranty.



Specifications

Model	Hydrocyclones	Connection Ports	Minimum Flow	Maximum Flow	Maximum Pool Size	Maximum Pressure
MultiCyclone12	12	40mm	2.4m ³ /hr	18m ³ /hr	55m ³	350 kPa (50psi) 3.5 Bar
MultiCyclone16	16	50mm	3m ³ /hr	30m ³ /hr	80m ³	350 kPa (50psi) 3.5 Bar

MULTI CYCLONE PRO

Centrifugal Pre-filtration 7 BAR



Waterco's award winning MultiCyclone is a brilliant pre-filtration device that works on the basis of centrifugal water filtration and is designed with no moving parts and no filter media to clean or replace.

- Minimises filter maintenance and saves water
- No filter media to clean or replace
- Suitable for new and existing installations
- 2 year warranty

Maintenance

The MultiCyclone is easily cleaned by opening its purge valve. Only 15 litres of water is discharged to cleanse the MultiCyclone.



MULTICYCLONE PRO

Part Number	Product Description
200385	MultiCyclone Pro

Centrifugal water filtration

The Multi cyclone works on the basis of centrifugal water filtration. There are no moving parts to wear and tear, and no filter media to clean or replace.



- 50mm / 2" quick fit unions
- UV and corrosion proof
- Hydraulically efficient design
- 16 multiple hydro cyclones
- Glass filled reinforced thermoplastic
- Lock ring
- Clear poly carbonate sediment chamber
- 25mm / 1" sediment purge valve

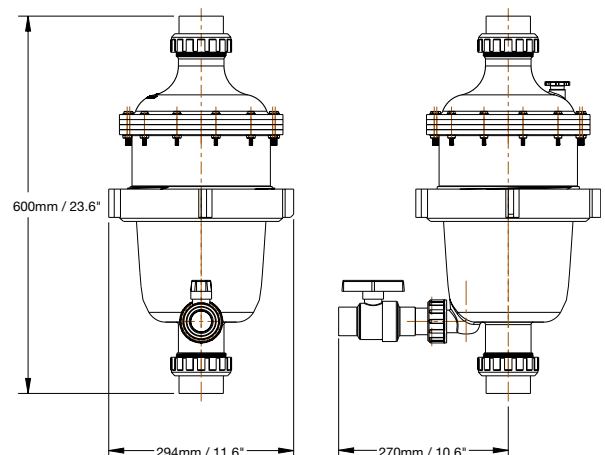
- Incoming water enters 16 hydro cyclones tangentially, generating a strong centrifugal effect.
- The sediment is spun out to the hydro cyclone's wall, and then spirals down to the sediment chamber*.
- The filtered water migrates towards the centre of the hydro cyclone where the flow reverses and spirals upwards through the outlet.
- Accumulation of sediment can be visibly monitored through the MultiCyclone's clear sediment chamber.

*Note: The MultiCyclone is designed to filter sediment that is heavier than water, floating debris cannot be filtered out by centrifugal filtration.

Technical Specifications

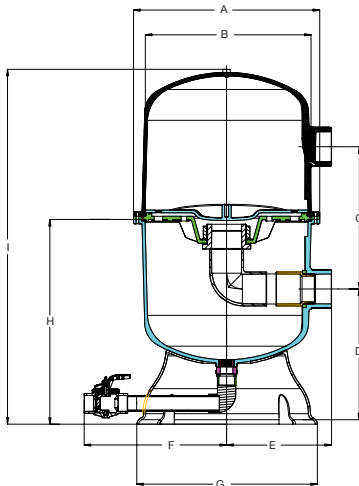
Model	Connection Ports	Minimum Flow	Maximum Flow	Maximum Pressure
MultiCyclone 16	50mm / 2"	50 lpm / 3m ³ /hr	500 lpm / 30m ³ /hr	690 kPa (100psi)

Dimension (mm/in)



MULTICYCLONE 70 XL COMMERCIAL

Centrifugal Pre-filtration



WATERCO MULTICYCLONE FILTER

Part Number	Product Description	Nominal Size
200394	MultiCyclone 70 XL Commercial	100mm

The Multi cyclone commercial 70XL is a new addition to the Multi cyclone range. Although very different in appearance to the previously released models, this unit still has all the water and energy saving benefits of the standard Multi cyclone model. Specifically designed for commercial installations, the Multi cyclone commercial has 100mm ports and uses 70 cyclones allowing it to function with a flow rate of 90m³/hr.

The debris can be seen through the clear sight glass and flushed out of the purge valve.

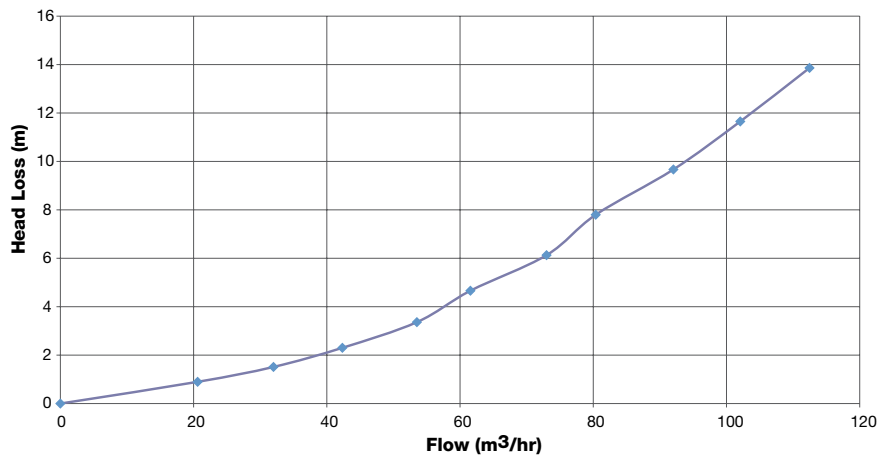
Specifications

Model	Connection Ports	Minimum Flow	Maximum Flow	Maximum Pressure
MultiCyclone 70 XL Commercial	100mm	36m ³ /hr	90m ³ /hr	3.5Bar/50psi/350kPa

Dimensions (mm)

Model	A	B	C	D	E	F	G	H	I
MultiCyclone Commercial Pre-Filter	710 mm	623.3 mm	542.5 mm	498.9 mm	400 mm	543.6 mm	498.9 mm	780.7 mm	1353.4 mm

MultiCyclone 70XL Head Loss Curve





2018 Pumps

Hydrostar Plus

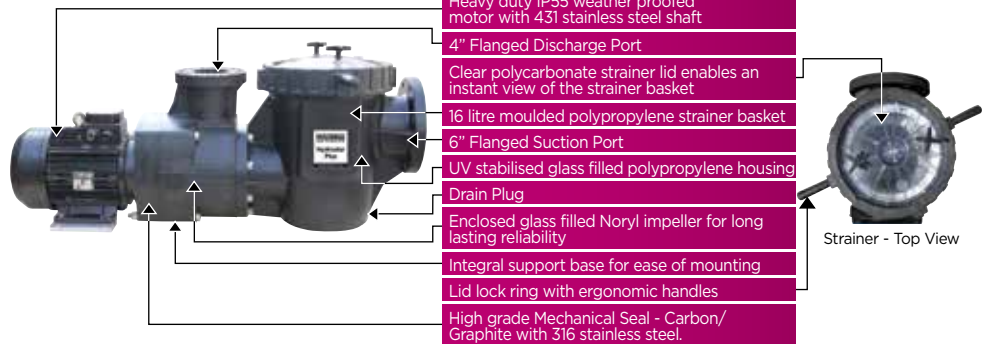
Commercial high performance corrosion resistant thermoplastic pumps



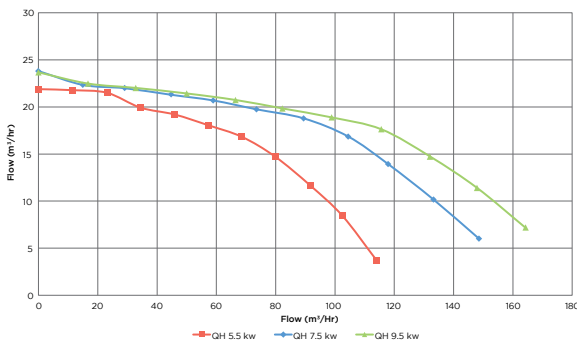
Purpose built for aquatic facilities, water parks and large commercial swimming pools. Hydrostar Plus pumps are high performance corrosion resistant thermoplastic pumps.

WATERCO HYDROSTAR PLUS - Three Phase 380v - 445v

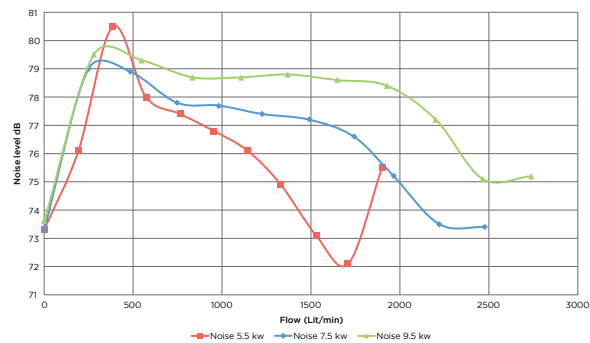
Part Number	Product Description	Q.Max	P.Max
2460750	Hydrostar Plus 5.5kW/7.5HP	122.40m ³ /hr	6.2kW
2461000	Hydrostar Plus 7.5kW/10HP	152.40m ³ /hr	8.5kW
2461250	Hydrostar Plus 9.5kW/12.5HP	164.64m ³ /hr	9.9kW



Flow Curve



Sound Level



Technical Specifications

Model	Nom. HP	kW	Pmax (kW)	Qmax (m ³ /hr)	Amps/Phase	Total Length	Motor Frame
5.5kW/7.5HP	8.3	6.2	6.2	122.4	10.15	1190	132
7.5kW/10HP	11.4	8.5	8.5	152.4	14.35	1190	132
9.5kW/12.5HP	14.0	10.5	9.9	164.64	17.6	1218	132

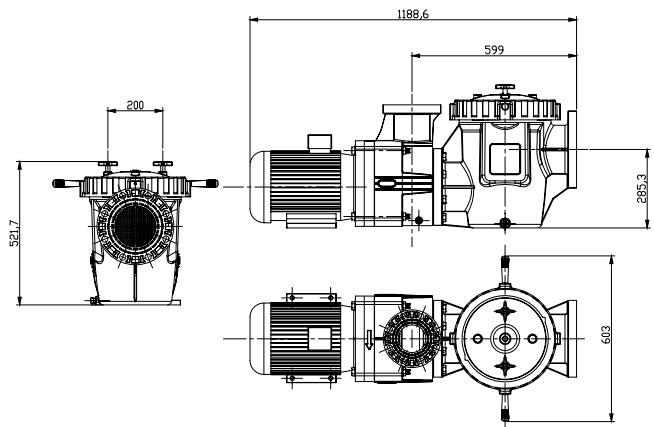
Phase	Volts	Cycle	RPM
3	380 - 415	50	2940

Available with 4" or 6" ports

Warranty

Pumps	Motor and Wet End
	2 years

* Please refer to Waterco's warranty terms and conditions



SEA WATER MECHANICAL SEAL

Part Number	Product Description
1"	for Hydrostar Plus 5.5kW, 7.5kW, 9.5kW
3/4"	all other Waterco pumps
63401624	Sea water mechanical seal 1"
63401625	Sea water mechanical seal 3/4"

Hydro 5000 Commercial Strainer

Designed and built for high performance and reliability



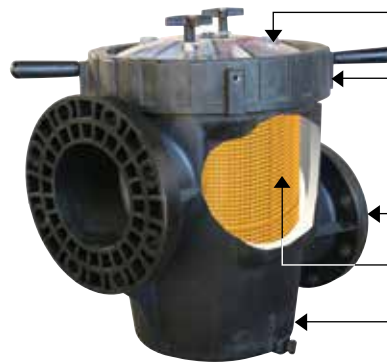
The Hydro5000 Commercial strainer is a corrosion resistant thermoplastic strainer designed for aquatic facilities, water parks and large commercial swimming pools. Hydro5000 commercial strainer's main body is constructed from an injection moulded glass reinforced thermoplastic. It's seamless one piece consists of no welds or seams or special tank linings which can corrode or electrolyse.

Hydro5000 strainers weigh less than a 1/3 the weight of its steel counterparts without any compromise in strength and durability.

COMMERCIAL STRAINER

Part Number	Product Description	Nominal Size
2409058	Hydro5000 Commercial Strainer 6" Flanged inlet / 6" outlet	6" / 6"
2409057	Hydro5000 Commercial Strainer 4" Flanged inlet / 6" outlet	4" / 6"
2409056	Hydro5000 Commercial Strainer 4" Threaded inlet / 6" outlet	4" / 6"
2408054	Hydro5000 Commercial Strainer 4" Threaded inlet / 4" outlet	4" / 6"

Features



Clear polycarbonate strainer lid enables an instant view of the strainer basket

New lock ring with easy grip handles - for simple removal & replacement of the lid

6" Flanged Ports

Moulded 16L polypropylene basket

UV stabilised glass filled polypropylene housing

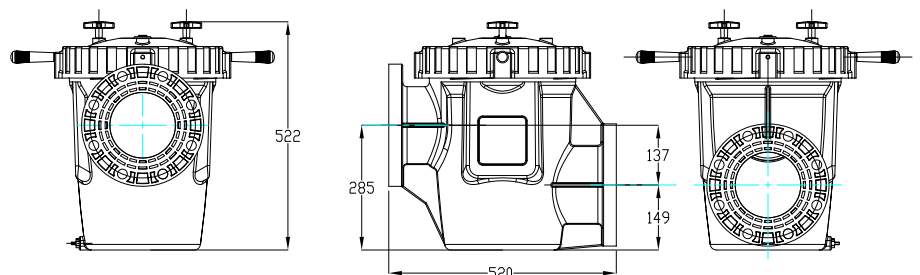
Technical data

Ports	: 6" Flanged
Maximum Flow Rate	: 2,550 lpm
Maximum Working Pressure	: 3.5 Bar (50 PSI)
Basket Area	: 0.29m ²
Free Area	: 0.19m ²

Construction Materials

Housing	: Polypropylene (comply with NSF50)
Basket	: Polypropylene (FDA-grade)
Lid	: Polycarbonate

Dimension (mm)



Warranty

Pumps	3 years (conditional) *
Wet End	3 years
Motor, mechanical seal, O'ring, basket & impeller	2 years
Commercial applications	1 year
Labour	1 year

* Please refer to Waterco's warranty terms and conditions

Hydrostar MK3

Power pumps



The Hydrostar MKIII has been redesigned to provide a substantially quieter operation with even higher flow rates and higher head than the previous Hydrostar models. Waterco has improved the hydraulic efficiency of the pump with the introduction of an internal volute. The volute's hydraulic design provides a natural balanced water flow and reduces hydraulic turbulence.

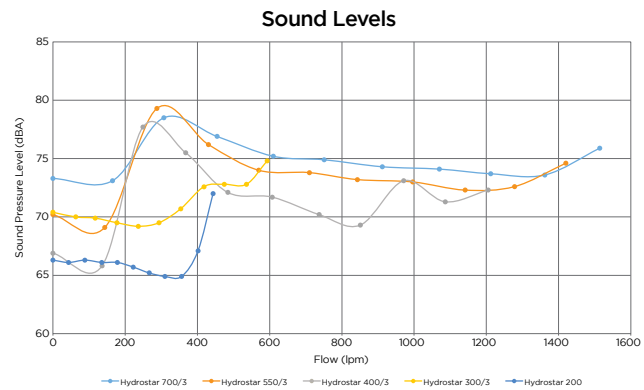
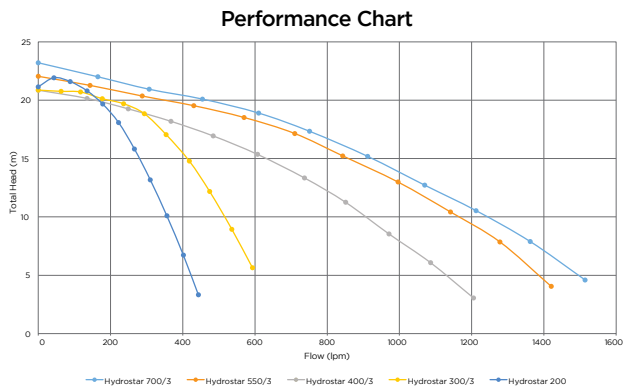
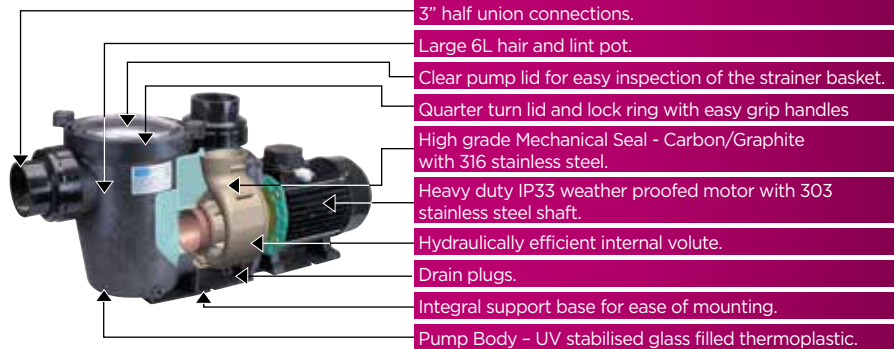
- 3 phase performance pump

WATERCO HYDROSTAR MK3 PUMPS - High Head

Part Number	Product Description	Q.Max	P.Max
24042003	Hydrostar 200 MKIII	26.1m ³ /hr	1.48kW
240430083	Hydrostar 300 MKIII	36.3m ³ /hr	2.25kW
240440033	Hydrostar 400 MKIII	61.0m ³ /hr	2.92kW
240455033	Hydrostar 550 MKIII	68.0m ³ /hr	3.16kW
240470033	Hydrostar 700 MKIII	77.0m ³ /hr	5.18kW

Hydrostar MKIII

The pump body is manufactured utilising state of the art engineering plastic moulding with a single piece strainer pot and volute for extra strength.



Technical Specifications

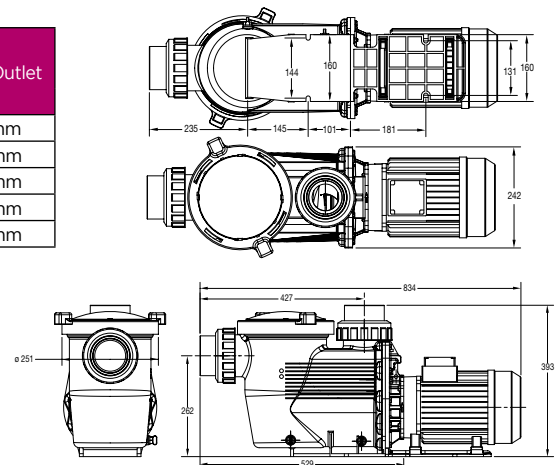
Pump Code	Model	Input Power		Amps/Phase	Weight (kg)	Total Length (mm)	Motor Frame	Inlet/Outlet
		(kW)	(HP)					
24042003	200 MK3	1.52	2.0	3.6	25.0	749	80	65mm
240430083	300 MK3	2.21	3.0	4.1	29.7	815	90	80mm
240440033	400 MK3	3.11	4.2	5.1	32.0	834	100	80mm
240455033	550 MK3	4.24	5.7	7.3	35.0	834	100	80mm
240470033	700 MK3	5.44	7.3	9.3	42.0	857	112	80mm

Phase	Volts	Cycle	RPM
3	380 - 420	50	2900

Warranty

Pumps	Warranty
Motor and Wet End	2 years

* Please refer to Waterco's warranty terms and conditions



Hydrostorm Plus

Extra power, higher performance

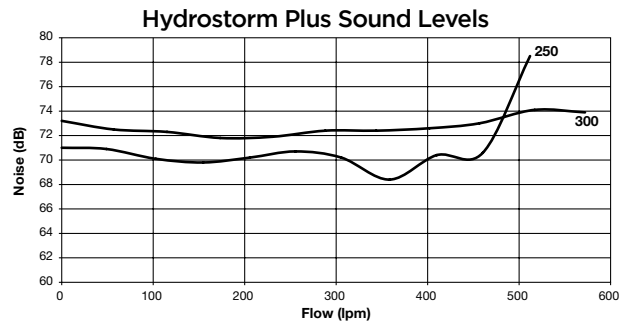
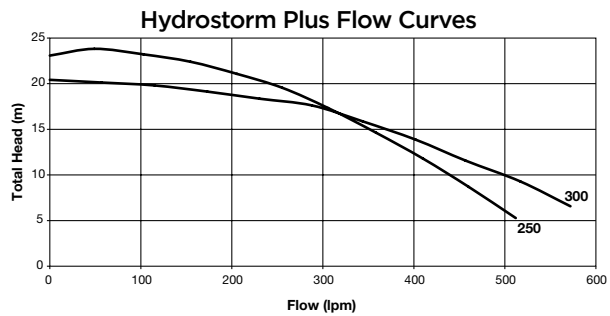


The Hydrostorm plus has all the proven features of the Hydrostorm with the addition of an innovative lid & lock ring for easier maintenance and a larger strainer basket for increased capacity.

- 2.25 litre strainer basket.
- single phase performance pump

HYDROSTORM PLUS PUMPS

Part Number	Product Description	Nominal Size
2405250	Hydrostorm Plus 250	2.50hp
2405300	Hydrostorm Plus 300	3.00hp



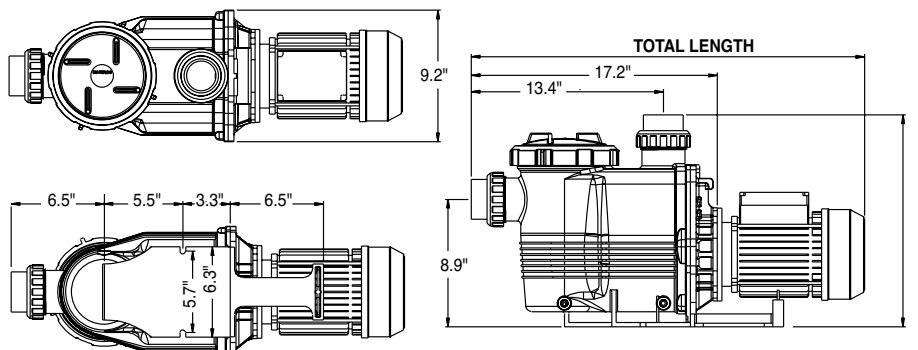
Technical Specifications

Model	Flow Rate (lpm)		Nom. HP	kW	Amps	Phase	Total Length (mm)	Motor Frame (mm)	Inlet/Outlet
	8m	10m							
Hydrostorm Plus 250	470	440	2.5	1.88	8.2	1	678	80	65mm ports x / 50mm unions
Hydrostorm Plus 300	540	500	3	2.02	9.3*	1	730	90	65mm ports x / 50mm unions

Please Note: Hydrostorm Plus 3 phase models are available on request.
*15 Amp Power Lead Plug.

Phase	Volts	Cycle	RPM
1	220-240	50	2860

Dimension



Warranty

Pumps	3 years (conditional) *
Wet End	3 years
Motor, mechanical seal, O'ring, basket & impeller	2 years
Commercial applications	1 year
Labour	1 year

* Please refer to Waterco's warranty terms and conditions

Hydrostorm ECO-V

Energy Saving Variable 3 Speed Pump

Motor protection bracket. This protection bracket adds a 61mm separation between the pump wet end and motor. The bracket also has larger drain holes for improved draining of any water leaks due to long term usage wear of the main mechanical seal.



HYDROSTORM ECO-V PUMPS

Part Number	Product Description	Nominal Size
2441509	Hydrostorm 150 ECO-V - 50mm Ports (1 phase)	1.50hp
2441009	Hydrostorm 100 ECO-V - 50mm ports (1 phase)	1.00hp

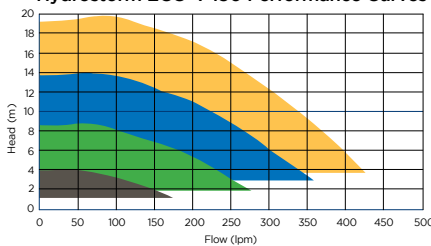
Key Features

1. Variable 3 speed control panel, IP55 rating
2. Permanent magnet brushless Variable 3 speed D motor
3. UV stabilised & corrosion resistant
4. 50mm quick connect barrel unions for UPV pipe
5. Iear basket lid & large 2.1lt strainer basket
6. High grade carbon/graphite mechanical seal with 316 stainless steel spring assembly
7. Strong single piece glass filled thermoplastic pump body
8. Drain plugs
9. Stable support base
10. Hydraulically efficient impeller and diffuser design
11. Fan cooled thermal overload protection

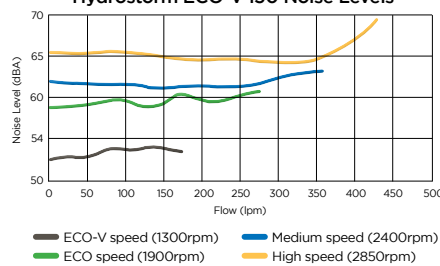
Specifications

Model	Length (mm)	Height (mm)	Width (mm)	Packaged Weight (kg)	Inlet/Outlet (mm)	Strainer Basket (mm)
ECO-V 150	771	340	227	12	50	2.1
ECO-V 100	650	340	227	12	50	2.1

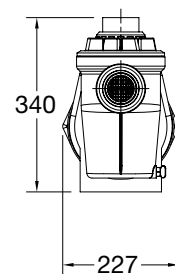
Hydrostorm ECO-V 150 Performance Curves



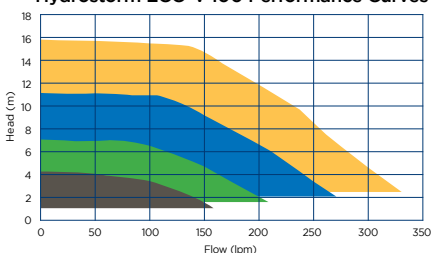
Hydrostorm ECO-V 150 Noise Levels



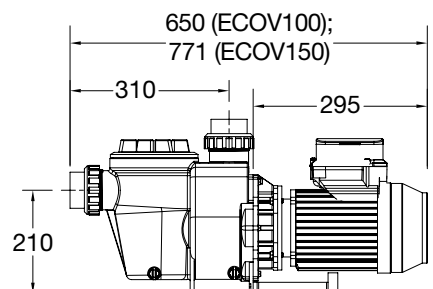
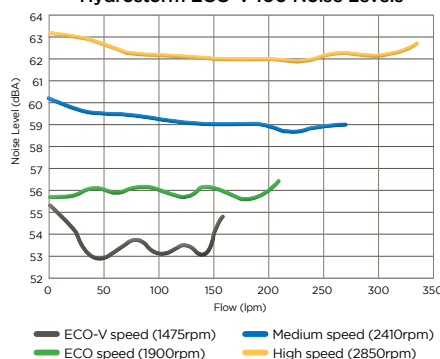
Dimension (mm)



Hydrostorm ECO-V 100 Performance Curves



Hydrostorm ECO-V 100 Noise Levels



Hydrostorm

Extra power, higher performance

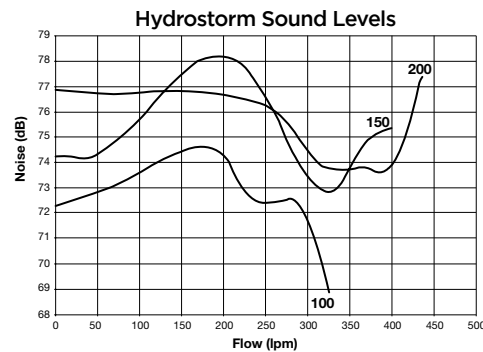
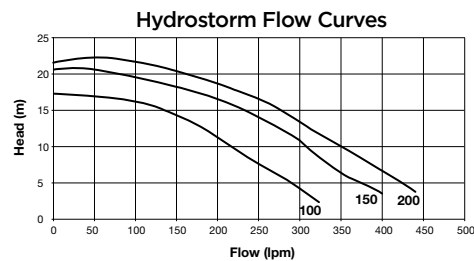


The Hydrostorm is designed to have all the extra power you need to cope with modern day swimming pool designs.

- 2.1 litre strainer basket.

HYDROSTORM PUMPS

Part Number	Product Description	Nominal Size
244100	Hydrostorm 100	1.00hp
244150	Hydrostorm 150	1.50hp
244200	Hydrostorm 200	2.00hp

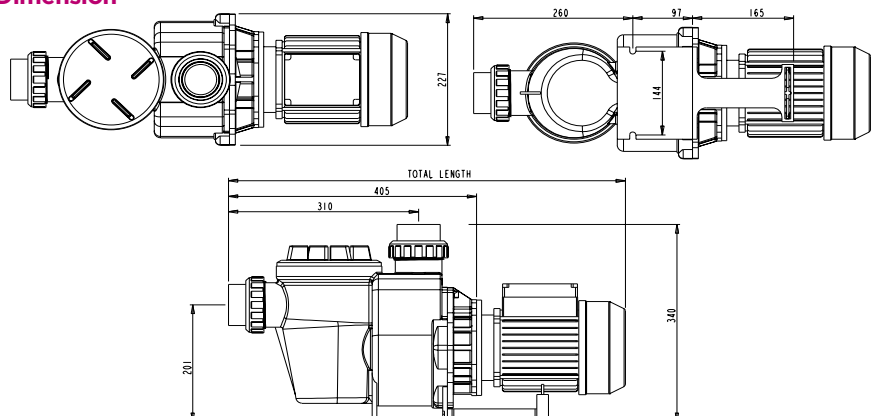


Technical Specifications

Model	Flow Rate (lpm)		Nom. HP	kW	Amps	Phase	Total Length (mm)	Motor Frame (mm)	Inlet/Outlet
	8m	10m							
Hydrostorm 100	250	225	1	0.91	4.00	1	600	71	50mm ports x / 50mm unions
Hydrostorm 150	350	315	1.5	1.31	5.80	1	647	80	50mm ports x / 50mm unions
Hydrostorm 200	370	350	2	1.46	6.60	1	647	80	50mm ports x / 50mm unions

Phase	Volts	Cycle	RPM
1	220-240	50	2860

Dimension



Warranty

Pumps	3 years (conditional) *
Wet End	3 years
Motor, mechanical seal, O'ring, basket & impeller	2 years
Commercial applications	1 year
Labour	1 year

* Please refer to Waterco's warranty terms and conditions

Supastream

State-of-the-art power and design



Supastream pumps are general purpose pumps designed for use in swimming pools and low pressure water re-circulation applications.

- 1.5 litre strainer basket.
- Protected by secondary seal.

Secondary Seal

Situated between the pump wet end & the pump motor, a mechanical seal forms a seal around the motor shaft to prevent water from running out along the shaft of a motor. The mechanical seal is the wearing part of any pool pump.



A mechanical seal may leak water if the pump is ever run dry or simply be worn out. If a leaky mechanical seal is not replaced promptly, water will travel up the shaft of the motor and ruin the motor in a very short period of time.

Waterco's Secondary Seal protects the pump motor's end shield from any water contact, by capturing any leaks through a worn out mechanical seal and draining it out of the pump.

Warranty

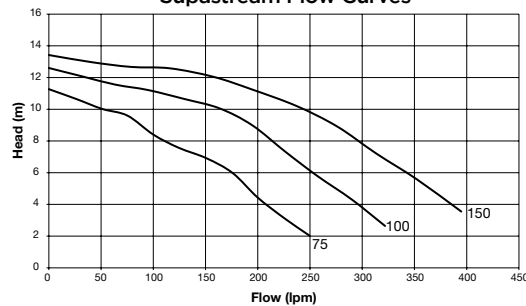
Pumps	3 years (conditional) *
Wet End	3 years
Motor, mechanical seal, O'ring, basket & impeller	2 years
Commercial applications	1 year
Labour	1 year

* Please refer to Waterco's warranty terms and conditions

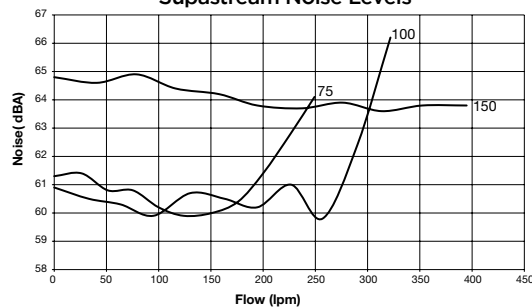
SUPASTREAM PUMPS

Part Number	Product Description	Nominal Size
2403075	Supastream 075	0.75hp
2403100	Supastream 100	1.00hp
2403150	Supastream 150	1.50hp

Supastream Flow Curves



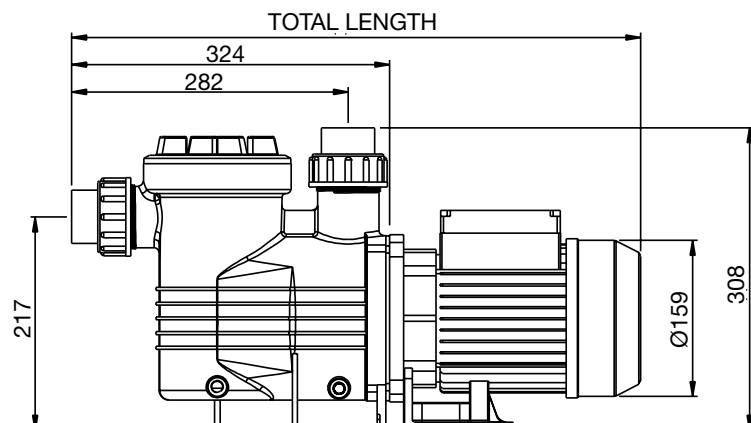
Supastream Noise Levels



Specifications

Model	Flow Rate (lpm)		Nom. HP	kW	Amps	Total Length (mm)	Motor Frame (mm)	Inlet/Outlet
	8m	10m						
Supastream 75	110	50	0.75	0.61	2.80	536	63	40/50mm
Supastream 100	215	170	1.00	0.82	3.60	559	71	40/50mm
Supastream 150	295	245	1.50	1.09	4.90	580	63	40/50mm

Phase	Volts	Cycle	RPM
1	220-240	50	2860



Aquastream Solar

High performance solar pumps



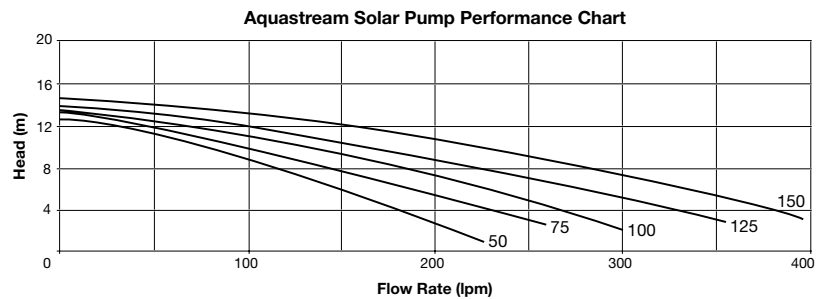
Aquastream solar pumps incorporate essential features required to make them compatible with solar pool heating systems.

- Protected by secondary seal.



AQUASTREAM SOLAR PUMPS

Part Number	Product Description	Nominal Size
24530500	Aquastream MKII Solar 050	0.50hp
24530750	Aquastream MKII Solar 075	0.75hp
24531000	Aquastream MKII Solar 100	1.00hp
24531500	Aquastream MKII Solar 150	1.50hp

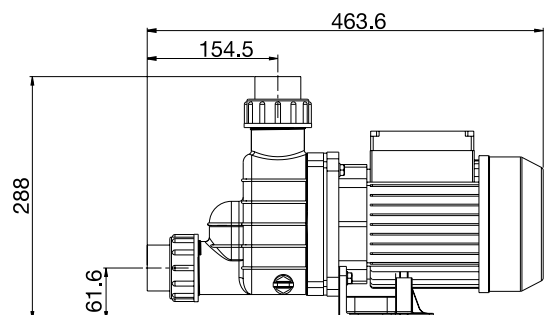
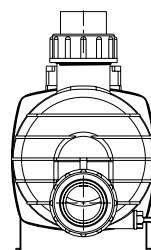
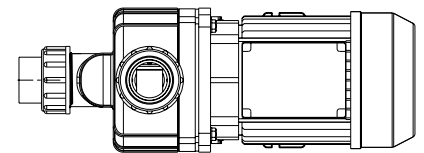
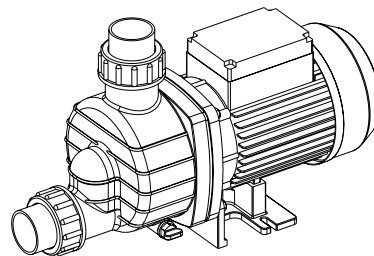


Specifications

Model	Nominal HP	kW	Amps	Total Length (mm)	Motor Frame (mm)	Inlet/Outlet
Aquastream Solar 50	0.5	0.58	2.5	465	63	40mm ports x / 40mm unions
Aquastream Solar 75	0.75	0.65	3.0	465	63	40mm ports x / 40mm unions
Aquastream Solar 100	1.00	0.76	3.33	465	63	40mm ports x / 40mm unions
Aquastream Solar 150	1.50	1.15	5.0	465	72	40mm ports x / 40mm unions

Phase	Volts	Cycle	RPM
1	220-240	50	2860

Dimensions



Warranty

Pumps	3 years (conditional) *
Wet End	3 years
Motor, mechanical seal, O'ring, basket & impeller	2 years
Commercial applications	1 year
Labour	1 year

* Please refer to Waterco's warranty terms and conditions

TurboFlo

Multipurpose high performance pumps



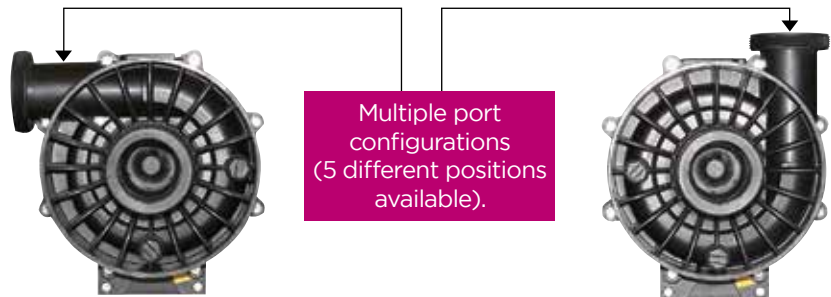
TurboFlo is a hydraulically efficient, high performance pump designed for pools and spas with high power requirements. It has an adjustable wet end which can be configured to suit up to 5 different plumbing conditions.

TURBOFLO PUMPS

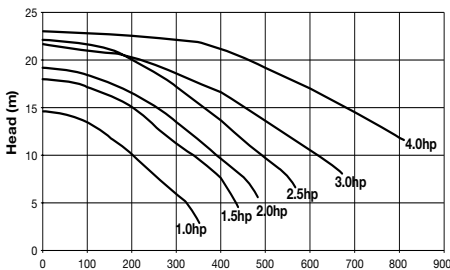
Part Number	Product Description	Nominal Size
2462100	TurboFlo 100	1.00hp
2462150	TurboFlo 150	1.50hp
2462200	TurboFlo 200	2.00hp
2462250	TurboFlo 250	2.50hp
2462300	TurboFlo 300	3.00hp

Adjustable wet end

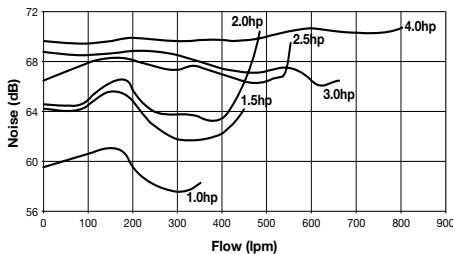
The outlet port of the TurboFlo can be configured to suit different plumbing conditions.



Flow Curve



Sound Levels

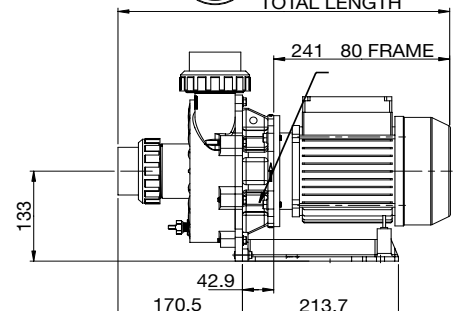
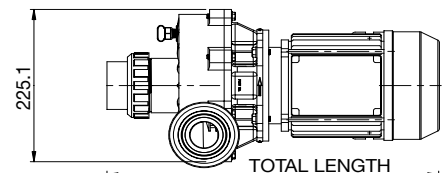
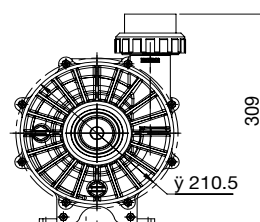
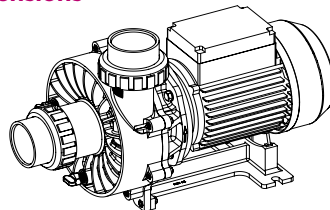


Technical Specifications

Model	Nominal Power (hp)	Motor Input (kW)	Amps	Phase	Total Length (mm)	Motor Frame (mm)	Weight (kg)	Inlet/Outlet
TurboFlo 100	1.00	0.94	4.1	1	445	71	10.4	50mm ports
TurboFlo 150	1.50	1.40	5.9	1	445	80	13.4	50mm ports
TurboFlo 200	2.00	1.50	6.4	1	445	80	13.4	50mm ports
TurboFlo 250	2.50	1.70	7.2	1	445	80	14.6	50mm ports
TurboFlo 300	3.00	2.10	9.1	1	483	90	16.9	50mm ports

Phase	Volts	Cycle	RPM
1	220-240	50	2860
3	380-420	50	2860

Dimensions



Warranty

Pumps	3 years (conditional) *
Wet End	3 years
Motor, mechanical seal, O'ring, basket & impeller	2 years
Commercial applications	1 year
Labour	1 year

* Please refer to Waterco's warranty terms and conditions



2018 Heaters

Electr Heat PRO



The new generation Electroheat PRO heat pump is the latest advancement in commercial size swimming pool heating. The PRO 100 has been designed to deliver efficient cost effective large pool heating in an easy to operate and install package.

- Electronically controlled temperature management
- Fault diagnostic system and inbuilt protection devices
- Hermetic scroll compressors
- Titanium heat exchangers
- R410A Refrigerant



ELECTROHEAT PRO

Part Number	Product Description	Nominal Size
27883803	Electroheat Pro 100 (3 Phase)	100 kW

Electroheat Pro Commercial heat pump

The largest of the Electroheat range our 100kW commercial unit has been designed to offer maximum output and reliability in a commercial setting.

The heat pump cabinet is constructed using high gauge powder coated metal sheet ensuring a high quality finish and sturdy construction. The ultra rigid metal base incorporates forklift access thus reducing the risk of damage during transport and allowing for ease of installation once on site.

Double Coil Titanium Heat Exchanger

With much greater surface area and longer contact time, this Waterco innovation allows higher heat transfer, thus delivering some of the highest efficiencies in its class.

A Titanium Heat Exchanger offers total protection against erosion and corrosion. Titanium metal's corrosion resistance is due to a stable, protective, strongly adherent oxide film. This film forms instantly when a fresh surface is exposed to air or moisture.

Titanium is resistant to: chlorinated water, ozone, iodine, Baquacil, bromine and salt water.



Two ½HP fan motors power the two 4-blade 26" fans that provide high volume air flow to the twin evaporators.

The Electroheat Pro boasts innovative design solutions, such as the dual 11HP Sanyo Scroll compressors (380-415V/50Hz/3ph), and the control panel which monitors the functioning of both compressors individually, as well as monitoring the 3 phases.



Electr Heat PRO

Specifications

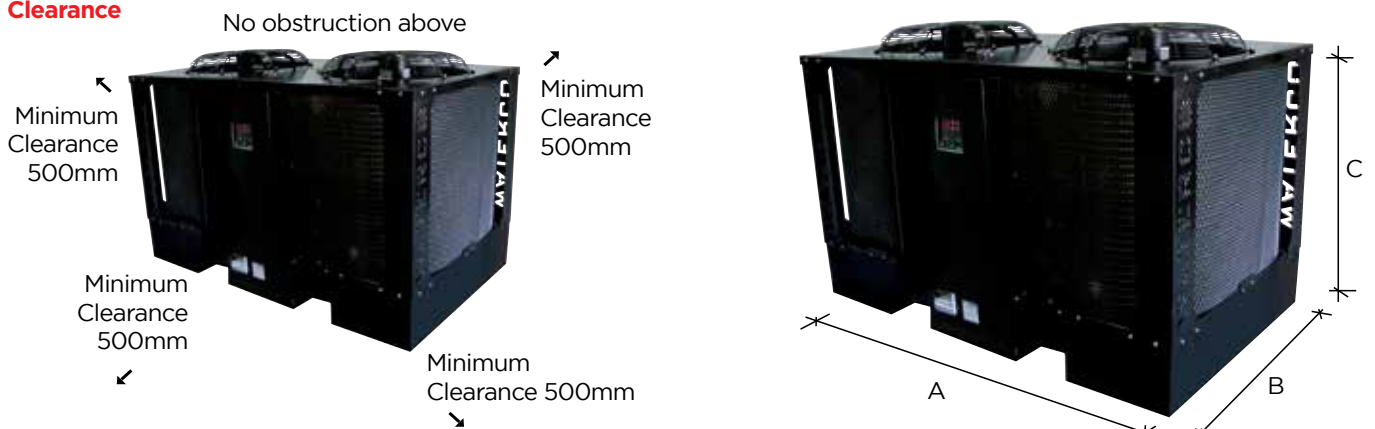
Model Number	PRO100
Nominal Heating Capacity*	97 kW (331,000 BTU)
Test Lab (26/26/80)	97 kW (331,000 BTU)
Test Lab (15/26/70)	67 kW (229,000 BTU)
Test Lab (10/26/63)	58 kW (198,000 BTU)
Compressor (HP)	(2 x) 11HP
Manufacturer	Sanyo
Compressor number	C-SCP360H38A
Water Flow & Plumbing Characteristics	
Water Bypass Type	Ext. Field Install
Min./Max. Water Flow Rate (LPM)	500-680
Min./Max. Water Inlet Temperature (°C)	14° - 40°
Plumbing Connection Size (Slip)	80mm / 3" PVC
Electrical Characteristics	
50Hz Dual Rated Supply Voltage (VAC)	380-415V
Supply Voltage Phase	3
Unit run current (AMP)	29.5
Power consumption (kW)	16.12
Coefficient of Performance @ 26/26/80 (COP)*	6.4
Min./Max. Air Inlet Temperature (°C)	6° / 40°
Refrigerant Characteristics	
Refrigerant Type	R-410A
Physical Characteristics	
Cabinet Construction	Powder coat sheet metal
Color	Black
Weight (kg)	453
Dimensions (mm)	1730W-1090L-1120H
Noise Emission Characteristics	
Noise Emission (dBA)	69 @ 1metre & 59 @ 3 metres

* (26/26/60) = Air Temp: 26° / Water Temp 26° / Humidity 60%

Dimensions

Model	A	B	C
Electroheat Pro	1730 mm	1090 mm	1120 mm

Clearance



Electr  Heat

ULTRA



The latest advancement in swimming pool heating. Electroheat Ultra heat pumps extracts latent heat from the surrounding air, intensifies it and transfers it to your swimming pool.

Electroheat Ultra heat pumps will heat your pool even when the ambient air temperature is near freezing point (0°C).

- Energy efficient heating
- Temperature management & self-diagnosis
- Automatic hot gas de-icing for cold climates
- High density titanium heat exchanger
- Weather proof cabine



Double Coil Titanium Heat Exchanger
With much greater surface area and longer contact time, this Waterco innovation allows higher heat transfer, thus delivering some of the highest efficiencies in its class.

A Titanium Heat Exchanger offers total protection against erosion and corrosion. Titanium metal's corrosion resistance is due to a stable, protective, strongly adherent oxide film. This film forms instantly when a fresh surface is exposed to air or moisture.

Titanium is resistant to: chlorinated water, ozone, iodine, Baquacil, bromine and salt water.



ELECTROHEAT ULTRA HEAT PUMPS - R410 c/w hot gas de-icing for cold climates

Product Description	Nominal Size
Electroheat Ultra 23 - side vent	23 kW
Electroheat Ultra 29 (3 Phase) - top vent	29 kW
Electroheat Ultra 44 (3 Phase) - top vent	44 kW

ElectroHeat Ultra heating

ElectroHeat Ultra features an automatic hot gas de-icing function. If any ice forms on the evaporator, the ElectroHeat Ultra's pipe configuration is temporarily reconfigured via a reversing valve to allow hot gas to melt the ice, the ElectroHeat Ultra then reverts back to heating your pool.



Specifications

Performance Specifications			
Nominal Power Output (kW)*	23	29	44
Nominal Heating Capacity BTU*	78500	105,000	150,000
Power Output (kW): Air 26C / Water 26C / RH63%	21.8	28.4	43.7
COP	6.2	5.2	5.7
Power Output (kW): Air 15 C / Water 24 C / RH70%	20	28.0	42.0
COP	5.7	5.0	5.0
Supply Voltage (VAC)	240	415	
Supply Voltage Phase	1	3	
Power Consumption (kW/h)	3.5	5.6	7.7
Full Load Amps (AMP)	30	14	17
Minimum Breaker or Fuse (AMP)	40	25	32
Min. / Max. Ambient Air Temperature (C)	1 / 40		
Min. / Max. water inlet temp (C)	18 / 40		
Water Connections (mm)	40mm slip		
Min. / Max. Water Flow Rate LPM	120 - 230	132 - 303	
Weight (kg)	78	87	93
Dimensions W x L x H (mm)	1170 x 320 x 685	890 x 880 x 1130	
Refrigerant	R410A		
Fast Evaporator De-icing	Yes		

Related products:
Electroheat MKIV and Plus ranges - Pool heat pumps standard range.
Electroheat Pro range - Pool heat pumps for commercial applications.

Water Flow & Plumbing Characteristics	
Water Bypass Type	Ext. Field Install
Min./Max. Water Flow Rate	6.7 - 18 m³/h
Min./Max. Water Inlet Temperature	10° - 40°
Plumbing Connection Size	1 1/2" / 50mm - PVC

Sizing chart to heat your pool to 28 °C						
			Model			
			Year Round Regional average daytime temperatures			
Pool Size (m)	Surface Area (m²)	Litres	Over 16°C	11°C - 15°C	5°C - 10°C	
3 X 7	21	Up to 27000	23kW	23kW	23kW	
4 X 7	28	Up to 36000	23kW	23kW	29kW	
4 X 8	32	Up to 42000	23kW	23kW	44kW	
4 X 9	36	Up to 47000	23kW	29kW	44kW	
5 X 9	45	Up to 59000	29kW	44 kW	2 X 23kW	
5 X 10	50	Up to 65000	29kW	44 kW	2 X 29kW	
5 X 11	55	Up to 72000	29kW	44 kW	2 X 29kW	

Note: Heat Pump Size and performance are influenced by ambient temperature, humidity, use of a pool cover, night time temperature, pool location, wind factor, water features and if the unit is switched off over night. The recommended sizing in the table above is based on operating the unit up to 10 daytime hours with the pool subjected to normal suburban wind. No allowance has been made for the cooling effects of water features, negative edges or high wind areas. Therefore, any under sizing of the heater for your pool heating requirements is not the responsibility of Waterco.

Electr Heat MKIII



Featuring an extra large evaporator area for maximum ambient heat extraction and vertical ventilation the Electroheat Plus is ideal for heating:

- Swimming pools for year round enjoyment
- Swimming pools to extend the season
- Swimming pools where roof space for solar is limited
- Available in 31, 37 & 44kW heating capacities



Double Coil Titanium Heat Exchanger
With much greater surface area and longer contact time, this Waterco innovation allows higher heat transfer, thus delivering some of the highest efficiencies in its class.

A Titanium Heat Exchanger offers total protection against erosion and corrosion. Titanium metal's corrosion resistance is due to a stable, protective, strongly adherent oxide film. This film forms instantly when a fresh surface is exposed to air or moisture.

Titanium is resistant to: chlorinated water, ozone, iodine, Baquacil, bromine and salt water.



ELECTROHEAT PLUS MKIII HEAT PUMPS - R410

Product Description	Nominal Size
Electroheat Plus 25 MKIII (3 Phase)	25 kW
Electroheat Plus 31 MKIII (3 Phase)	31 kW
Electroheat Plus 37 MKIII (3 Phase)	37 kW
Electroheat Plus 44 MKIII (3 Phase)	44 kW

WATERCO HEAT PUMPS - All ElectroHeat Plus MKIII and ElectroHeat MKIII heat pumps come complete with a commercial grade Titanium heat exchanger and digital display as standard. All 3 phase heat pumps are supplied with a 3 phase indicator and protector.

Performance Specifications				
	Electroheat Plus			
Nominal Power Output (kW)*	25	31	37	44
Nominal Heating Capacity BTU*	85,000	105,000	125,000	150,000
Power Output (kW): Air 26C / Water 26C / RH63%	24.5	30.6	36.2	43.7
COP	4.9	5.5	5.4	5.7
Power Output (kW): Air 15C / Water 24C / RH70%	22.5	28.5	35.0	42.0
COP	4.5	5.2	5.2	5.4
Supply Voltage (VAC)	380 - 415			
Supply Voltage Phase	Three Phase			
Power Consumption (kW/h)	5.0	5.6	6.7	7.7
Full Load Amps (AMP)	12	14	15	17
Minimum Breaker or Fuse (AMP)	20	25	25	32
Electrical Connection				
Min. / Max. Ambient Air Temperature (C)				
Min. / Max. water inlet temp (C)				
Water Connections (mm)				
Min. / Max Water Flow Rate LPM	120 - 230	132 - 303		
Weight (kg)	84	87	89	93
Dimensions W x L x H (mm)	750 x 850 x 1000	890 x 880 x 1130		
Refrigerant				

Water Flow & Plumbing Characteristics	
Water Bypass Type	Ext. Field Install
Min./Max. Water Flow Rate	6.7 - 18 m ³ /h
Min./Max. Water Inlet Temperature	18° - 40°
Plumbing Connection Size	1 1/2" / 50mm - PVC

Dimensions

Model	A	B	C
ElectroHeat Plus MK III 23	780 mm	890 mm	870 mm
ElectroHeat Plus MK III 31kW, 37kW, 44kW	890 mm	880 mm	1120 mm



Electro Heat MKIV

Energy efficient swimming pool heating



With compact dimensions of 117 x 69 x 32cm and horizontal ventilation the Electroheat is ideal for heating:

- Swimming pools to extend the season
- Plunge pool
- Swim spas
- Spas
- Available in 9, 12, 15, 19 & 23kW heating capacities



Main Features

New digital control

which instantly displays any diagnosis in the unit and enables a fast and efficient service.



Extra large evaporator surface

collects more heat from the ambient air, which allows better performance of the unit and ensures a greater heat transfer to the pool.



Titanium double coil heat exchanger:

With much greater surface area and longer contact time, this Waterco innovation allows higher heat transfer, thus delivering some of the highest efficiencies in its class.



ELECTROHEAT MKIV HEAT PUMPS - R410

Product Description	Nominal Size
Electroheat 9 MKIV - c/w 10 amp lead & plug	9 kW
Electroheat 12 MKIV - c/w 15 amp lead & plug	12 kW
Electroheat 15 MKIV	15 kW
Electroheat 19 MKIV	19 kW
Electroheat 23 MKIV	23 kW

Performance Specifications					
Nominal Power Output (kW)*	9	12	15	19	23
Nominal Heating Capacity BTU*	30700	41000	51000	64000	78,500
Power Output (kW): Air 26C / Water 26C / RH63%	8.9	11.7	13.5	18.5	21.8
COP	5.7	6.1	6.1	6.3	6.2
Power Output (kW): Air 15C / Water 24C / RH70%	6.8	9.2	9.4	17	20.0
COP	4.8	4.8	4.3	5.8	5.7
Supply Voltage (VAC)	230 - 240				
Supply Voltage Phase	Single Phase				
Power Consumption (kW/h)	1.5	1.9	2.2	2.9	3.5
Full Load Amps (AMP)	9	12	12	22	30
Minimum Breaker or Fuse (AMP)	16	20	20	32	40
Electrical Connection	10A 3 Pin Plug	15A 3 Pin Plug	Terminals		
Min. / Max. Ambient Air Temperature (C)	10 / 40				
Min. / Max. water inlet temp (C)	18 / 40				
Water Connections (mm)	40mm				
Min. / Max Water Flow Rate LPM	120 - 230				
Weight (kg)	50	54	78		
Dimensions W x L x H (mm)	1170 x 320 x 685				
Refrigerant	R410A				

Quick defrost cycle (Electroheat Ultra ONLY)

by the inversion of the cooling circuit, which allows a complete and quick defrost cycle (2 mins). This option allows the pool to be heated at a lower ambient temperature.



Water circulation guide within the TITANIUM

heat exchanger increases water turbulence and velocity, thus providing maximum thermal transfer.



Noise Reduction Components

Profile fan blades

increase air flow and therefore performance while reducing noise.



Scroll type compressor producing 10 dB less noise than other brands available on the market.



ELECTROHEAT BYPASS KIT

Part Number	Product Description
69051363	Electroheat Bypass plumbing kit 460mm
69051364	Electroheat Bypass plumbing kit 283mm

Waterco has introduced a new preassembled Heat Pump Bypass kit to make installation and operation easier for our customers and consumers. The bypass is compatible on all Electroheat heat pumps with 460mm & 283mm centred water connections, fitted with 40mm half unions.





Ultra-high Performance in a compact quiet and ECO-friendly design.



The Turbotemp heater's easy-to-read controls make system operation and monitoring simple. Pool and spa temperatures can be pre-set and controlled with the push of a button. A digital display indicates the water temperature, and five LED lights give you system status and let you know if the heater needs service.

TURBOTEMP

Part Number	Product Description	Nominal Size
2701251	125 Natural Gas	125MJ
2701252	125 LPG - Propane	125MJ
270201	200 Natural Gas	200MJ
270202	200 LPG - Propane	200MJ
270301	300 Natural Gas	300MJ
270302	300 LPG - Propane	300MJ
270401	400 Natural Gas	400MJ
270402	400 LPG - Propane	400MJ
6844340	150mm Flexible Flue Kit - 125, 200, 300	
6844350	200mm Flexible Flue Kit - 400	
684431106	Metal Flue Collar 150mm	
684431108	Metal Flue Collar 200mm	
684738	Pressure relief valve	

No matter what you're seeking in your swimming pool heater, the Turbotemp heater measures up. Compare this list of features to any other and you'll see why Turbotemp heaters are setting a new standard for total value.

- Very compact design.
- A fully pre-mixed burner system with a highly efficient air and gas mixture.
- Hot surface ignition eliminating the requirement for a pilot.
- Push button digital controls with easy to view rotating display.
- Engineered for super quiet operation.
- Certified for low NOx emissions.
- Safe operation through a series of features including:-
 - o Water pressure switch
 - o Over temperature switch
 - o Stack flue sensor
 - o Manual gas shut-off for servicing

Pool Sizing*

°C Temperature Change/ 24 Hrs.	Heater Size			Heater Size		
	Model 200	Model 300	Model 400	Model 200	Model 300	Model 400
	Pool Capacity in Litres			Pool Surface Area in Sq. Mt. at 1.65m Depth		
2.77	368,635	552,954	737,269	220	329	439
5.44	184,315	276,475	368,635	110	165	220
8.31	122,878	184,319	245,756	73	110	146
11.08	92,160	138,239	184,315	55	82	110
13.85	73,728	110,595	147,453	44	66	88
16.62	61,437	92,156	122,878	37	55	73
19.39	52,663	78,994	105,325	31	47	63
22.16	46,080	69,122	92,160	27	41	55

Spa Sizing*

Model	Spa Volume (Litres)								
	750	1,150	1,500	1,900	2,250	2,650	3,000	3,400	3,800
	Minutes for 16.2°C (30°F) Temperature Rise (Heater Input in 1000 BTU/HR)								
125	31.5	47.3	61.3	77.0	92.8	108.5	124.3	140.0	155.8
200	18.0	27.0	35.0	44.0	53.0	62.0	71.0	80.0	89.0
300	13.5	20.0	26.5	33.0	40.0	46.5	53.0	60.0	66.5
400	9.0	13.0	18.0	22.0	27.0	31.0	35.0	40.0	44.0