

# ELECTROCHLOR CHLORINATORS

## Owners Manual

*20A STANDARD (251265)*

*30A STANDARD (251405)*

*25A SC SELF-CLEAN (2514036)*

*30A SC SELF-CLEAN (2514037)*



### **WARNING**

This equipment must be installed and serviced by a qualified technician. Improper installation can create electrical hazards which could result in property damage, serious injury or death. Improper installation will void the warranty.



### **Notice to Installer**

This manual contains important information about the installation, operation and safe use of this product. Once the product has been installed **this manual must be given to the owner/ operator of this equipment.**

# Table of Contents

<b>FEATURES AND BENEFITS</b> .....	<b>01</b>
<b>CONSTRUCTION</b> .....	<b>02</b>
<b>TECHNICAL INFORMATION</b> .....	<b>02</b>
<b>INSTALLATION</b> .....	<b>03</b>
<b>NORMAL OPERATION - ALL MODELS</b> .....	<b>03</b>
<b>TIME CLOCK OPERATION</b> .....	<b>04</b>
<b>MAINTENANCE</b> .....	<b>04</b>
<b>WATER CHEMISTRY</b> .....	<b>05</b>
<b>FAULT TROUBLESHOOTING</b> .....	<b>05</b>
<b>TECHNICAL SPECIFICATIONS</b> .....	<b>06</b>
<b>GENERAL SAFETY RULES</b> .....	<b>06</b>

## **WARNING**

*To reduce the risk of Electric Shock, if the electrical power supply cord is damaged it must be replaced immediately by the manufacturer, service agent or a similarly qualified person.*

## **FEATURES AND BENEFITS**

The Electrochlor range of chlorinators combine ergonomic appeal and a new slim-line vertical arrangement with electronic simplicity and reliable, automatic chlorination. The new power pack incorporates a full diagnostic display including produced chlorine levels, water sensing, and manually adjustable chlorine level to ensure simple and effective pool sanitation. The self clean model has been designed to eliminate the need to clean cell electrodes, utilising reverse-polarity technology to remove calcium build-up and leaving electrodes clean for optimum performance.

## CONSTRUCTION

Waterco Electrochlor chlorinators are built to last.

The power pack body is made of high quality engineering plastics and has a large aluminum heat sink for heat dissipation.

The cell housing is moulded from clear U.V. stabilized acrylic. In the Standard Chlorinators the cell electrode's anode is made of a specially coated titanium mesh while the cathode is made of a plain titanium mesh. In the Self - Clean Chlorinators all cell electrodes are made of a specially coated titanium mesh.

## TECHNICAL INFORMATION

### Electrochlor Self-Clean Model

The Electrochlor chlorinator produces chlorine by drawing a DC current through mild salt water (saline).

The set of electrodes called the anode and the cathode hold an electrical potential difference for a set period of time. When the polarity electrical potential difference is reversed the anode becomes the cathode and the cathode becomes the anode. Reversing the polarity removes any calcium build-up, which may have been deposited onto the cathode.

This reversing of process will maintain the cell clean from calcium deposits, providing the chemical balance of the pool water is maintained within normal parameters.

It is recommended that regular water chemistry tests are conducted by your local pool professional to ensure the water balance is within range.

The Electrochlor Self-Cleaning chlorinator operates between the salt level ranges listed below.

### Electrochlor Standard Model

The standard Electrochlor chlorinator cell also consists of an anode and a cathode. The method of chlorine production is the same as the Self-Clean model.

The polarity of electrical potential between electrodes is factory set and must not be reversed. Reversal will cause cell damage.

With time there will be a white coloured calcium build on the cell's cathode. This build-up will require cleaning. Failure to clean the cell will affect the chlorinator's performance and may damage the cell. Find cleaning procedures on page 4.

## SALT LEVELS

**MINIMUM = 5000 ppm**

**OPTIMUM = 6000ppm**

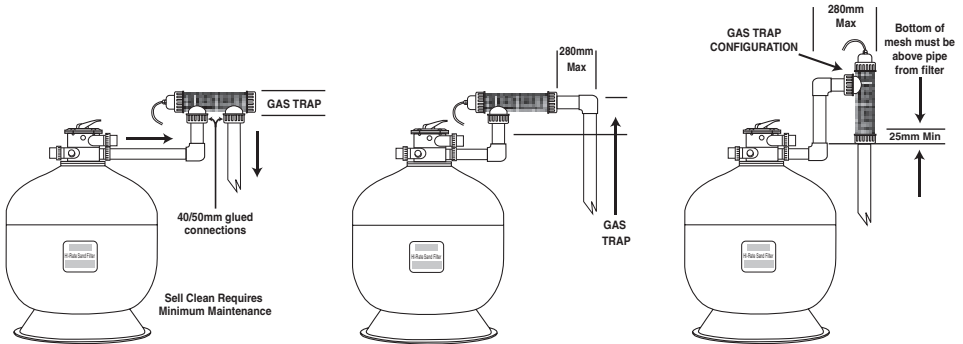
**MAXIMUM = 6500ppm**

Testing kits are available from the local pool professional and should be used to accurately check the salt levels in the pool water.

# INSTALLATION

1. The unit should be connected to a 30mA max Residual Current Device (RCD).
2. An interrupter (circuit-breaker etc) should be installed to disconnect all poles from the supply mains.
3. Ensure that the chlorinator cell is the last piece of equipment installed inline on the filtration system - so the chlorine produced will not damage other equipment such as heaters.
4. The cell may be installed above or below water level. If it is below water level, ensure that an isolation valve is installed so the unit can be serviced without losing water from the pool.
5. The cell may be mounted at different angles so long as a gas trap is provided.
6. Install in a covered area away from any water projection.

**GAS TRAP :** *The cell must be positioned in such a way as to provide a gas trap. The bottom of the cell must be above the top surface of the pipe from the previous piece of equipment, as per the below diagram.*



Installation as indicated will prevent the hydrogen gas (a bi-product of the electrolysis process) to collect in the filter should scavenging water flow cease.

## NORMAL OPERATION - ALL MODELS

In normal operation the RED LED indicator light is off. The amount of chlorine produced can be adjusted with the Chlorine Production control. The setting of this control is indicated by the number of Green Illuminated LED lights. The output of the chlorinator can be adjusted to reflect the different seasonal requirements in order to maintain satisfactory chlorine sanitizer levels.

With the control set on maximum the chlorine production will be at 100% and all GREEN LED will light up with correct water balance.

The cell can also be switched-off at any time if the pool water has been over-chlorinated.

The RED LED light on indicates either that

- The water salt level might have fallen below the required levels of operation.
- There is too much calcification on the cells for the unit to sense water flow.
- The pool water temperature is low.

**NOTE :** *The microprocessor on the Self-Cleaning chlorinator will hold its memory if there is a power interruption ensuring that when it is turned on again, the operating sequence of the reverse cycle is maintained.*

## TIME CLOCK OPERATION

### Standard time clock version

When the chlorinator is switched on to “auto” the timer is activated and will switch on both the pump and chlorinator together.

### Setting the time clock

Set the clock by rotating the outer ring in a clockwise direction until the white arrow head on the clock face points to the correct time on the outer clock face.

The clock is in 24 hour time sequence and needs to be reset if the power is interrupted.

### Setting Filtration / Chlorinator times

Operation times for the filter / chlorinator are set by pulling out the appropriate pins corresponding to actual time on the outer clock face. Each pin represents 15 minutes of clock time.



*Filter / chlorinator operation set for 3.5 hours  
10:15am to 1:45pm.*

*Time shows 09:50am.*

## MAINTENANCE

Although the Self-Cleaning chlorinator is designed to greatly reduce the need to clean the cell, periodic inspection will be required to insure correct performance.

### Cell Cleaning Procedure for both Self- Cleaning and a Standard type cells

1. Turn off the filtration equipment and isolate the power supply to the chlorinator power pack.
2. Unscrew the cell from the clear cell housing. If required unscrew the cell lead from the junction box located under the body of the Electrochlor power pack.

***NOTE : Cell leads is supplied with numbered coded wires that directly match the wiring in the junction box under the power pack. To re install the wires to the chlorinator match the numbers in the junction box to those of the cell leads.***

3. Place the cell electrode only into a bucket of Salt Cell Cleaning Solution ( specifically designed chemical ) to dissolve the calcium build-up from the cell electrodes. Allow enough time for the solution to dissolve the calcium build-up from the cell mesh.
4. Once the calcium build-up has been removed, rinse-off excess calcium and solution with water.
5. Reassemble the cell and connect the cell lead wiring back to the junction box if removed. Ensure that the wiring colour matches the junction box wiring colour as indicated above.
6. Turn on the power to the filtration system and check the chlorinator function.

***Never use products that are not specifically manufactured to clean the Electrochlor cells. Do not use raw acids such as hydrochloric acid or similar to clean the cells. This damages the cells and severely shortens its life and may void warranty. Consult your local pool professional for advice on cell cleaning compounds***

## WATER CHEMISTRY

It is important to maintain the correct water chemical balance in the swimming pool; this will help protect the Electrochlor chlorinator unit and its cell.

Consult the local pool professional for the correct water balance according to the swimming pool type.

The Electrochlor chlorinator will operate correctly at the following water chemistry levels :

pH.	7.2 - 7.8	Suggested 7.2 - 7.6
Total alkalinity	60 - 200ppm	Suggested 80 - 150ppm
Calcium hardness	100 - 500ppm	Suggested 60 - 250ppm
Stabilizer (Sun screen)	30 - 60ppm	
Salt	5000 - 6500ppm	Suggested 6000ppm

## FAULT TROUBLESHOOTING

SYMPTOM	POSSIBLE CAUSE	REMEDY
<b>Water sensing LED will not turn off</b>	Water flow restricted	Empty leaf basket. Clean filter. Check water level. Check all valves are open.
	Back washing in progress	Change to normal filtration.
	Dirty flow detector	Clean flow detector.
	Electronic fault	Return to distributor for repair.
<b>Low chlorine level in pool</b>	Operating time too short	Increase operating time.
	Production control too low	Turn control knob to increase production.
	Low salt	Add required amount of salt.
	Pool chemistry not correct	Have water tested.
<b>Chlorine production LED reading low</b>	Chlorine production control set too low	Turn control knob to increase production.
<b>Not all LEDs light up when control set at maximum</b>	Low salt, water below 15°C, cell dirty or built-up.	Add salt, Increase water temp to 20°C and above. Clean cell.
	Electrical fault	Return to distributor for repair.
<b>Unit does not operate</b>	No electrical power	Connect power, check fuse.
	Pump not connected	Connect pump.
	Time clock setting	Reset clock.
	Electrical fault	Return to distributor for repair.

# TECHNICAL SPECIFICATIONS

## 20A Model 220-240V - 50/ 60Hz operation

Primary input volts .....	220-240V AC 50/ 60Hz
Chlorinator power use .....	250W
Maximum current draw .....	10A
Pump outlet Max .....	8A
Cell volts .....	6-8V DC
Maximum cell current (above 20°C) .....	20A DC
Degree of protection to AS1939 .....	IP23

## 30A Model 220-240V - 50/ 60Hz operation

Primary input volts .....	220-240V AC 50/ 60Hz
Chlorinator power use .....	375W
Maximum current draw .....	10A
Pump outlet Max .....	8A
Cell volts .....	6-8V DC
Maximum cell current (above 20°C) .....	30A DC
Degree of protection to AS1939 .....	IP23

All units are equipped with a 3 Amps self-resetting fuse.

# GENERAL SAFETY RULES

1. The equipment mentioned in this manual is specially designed for the sanitizing of water in swimming pools.
2. It is designed to work with clean water at a temperature not exceeding 35°C ( 95°F).
3. The installation should be carried out in accordance to the safety instructions of swimming pools especially Standard HD 384.7.702 and the specific instructions for each facility.
4. The rules enforced on accident prevention should be carefully followed.
5. Any modification of the chlorinator requires the prior consent of the manufacturer. Original replacement parts and accessories authorized by the manufacturer ensure a high level of safety. The manufacturer accepts no liability for the damage and injuries caused by unauthorized replacement parts and accessories.
6. During operation, some parts of the chlorinator are subject to dangerous electric voltage. Work may only be performed on the chlorinator or on the equipment connected to it after disconnecting them and the starting device from the mains power.
7. The user should make sure that assembly and maintenance tasks are carried out by qualified authorized persons and that these persons have first carefully read the Service and Installation Instructions.
8. The operating safety of the chlorinator is only guaranteed if the Installation and Service instructions are correctly followed.
9. The limit values stated in the Technical Specifications should not be exceeded under any circumstance.
10. In the event of defective operation or fault, contact the manufacturer's Technical Support Department or it's nearest Authorized Agent.
11. If the power supply cord is damaged, it must be replaced by the manufacturer or its service agent or a similarly qualified person.

These chlorinators are approved and conformed to AS3136 Swimming Pool Equipment, as a prescribed article under Australian Registration.

These chlorinators conform to the Australian Electromagnetic Compatibility Standard marked by the C-tick.

# Inhaltsliste

<b>AUSFUEHRUNG UND VORTEILE</b> .....	07
<b>KONSTRUKTION</b> .....	08
<b>TECHNISCHE INFORMATION</b> .....	08
<b>INSTALLATION</b> .....	09
<b>NORMALE ARBEITSWEISE - ALLE MODELLE</b> .....	09
<b>SCHALTUHRARBEITSWEISE</b> .....	10
<b>WARTUNG</b> .....	10
<b>CHEMISCHER ZUSTAND DES WASSERS</b> .....	11
<b>FEHLERSUCHE U. BESEITIGUNG</b> .....	11
<b>TECHNISCHE DATEN</b> .....	12
<b>ALLGEMEINE SICHERHEITSREGELN</b> .....	12

## **WARNUNG**

*Zur Reduzierung der Gefahr von elektrischem Schock nach Beschädigung des Anschlusskabels muss dieses beim Hersteller, der Servisagentur oder einer dafür qualifizierten Person erneuert werden.*

## **AUSFUEHRUNG UND VORTEILE**

Der Electrochlor Bereich von Chlorinatoren vereinigt ergonomische Erscheinung u. neue schlanklenige Vertikalausführung mit elektronischer Einfachheit u. verlässlicher automatischer Chlorination.

Die neue Steuereinheit schliesst eine volle diagnostische Anzeige fuer die Messung des erzeugten Chlorinpegels mit ein. Dazu sichert manuell einstellbare Chlorinproduktion fuer einfache und wirksame Poolhygiene. Die selbstreinigenden Modelle machen Zellreinigung durch periodische Polaritaetsumkehrung fuer den Abbau von Calciumansatz unnoetig und lassen die Elektroden rein und klar fuer optimale Funktion.



## KONSTRUKTION

Waterco Electrochlor Chlorinatoren sind fuer Dauerhaftigkeit gebaut.

Das Gerhaeuse der Steuereinheit ist aus machinengrad Thermoplastic hergestellt u. hat einen grossen profilierten Aluminiumkoerper als Waermeabstrahler. Das Zellgehaeuse besteht aus klarem U.V. stabilisiertem Acrylic.

In den Standardchlorinatoren ist die Anode der Zellelektroden aus spezial beschichtetem Titaniumgeflecht hergestellt, waehrend die Kathode aus normalem Titaniumgeflecht besteht. In den selbstreinigenden Chlorinatoren sind alle Electroden aus spezial beschichtetem Titaniumgeflecht hergestellt.

## TECHNISCHE INFORMATION

### Electrochlor selbstreinigendes Modell

Der Electrochlor Chlorinator erzeugt Chlorin durch Durchzug von Gleichstrom in leicht salzhaltigem Wasser (Saline).

Der Satz von Electroden, Anode u. Kathode genannt, haelt ein elektrisches Potential fuer eine bestimmte Zeitspanne. Darnach wird das elektrische Polaritaetspotential vertauscht, somit wird die Anode zur Kathode und die Kathode zur Anode. Diese Umkehrung beseitigt Calciumaufbau welches sich an der Kathode angesetzt hat.

Diese Umkehrung des Vorgangs haelt die Zelle von Calciumablagerung frei, vorausgesehen das chemische Gleichgewicht des Poolwassers ist innerhalb der normalen Grenzen gehalten.

Es wird empfohlen, dass regelmaessige chemische Pruefungen durch Ihren Poolfachman in Ihrer Gegend durchgefuehrt wird, um zu sichern, dass die chemische Bilanz Ihres Poolwassers innerhalb des normalen Bereichs steht.

Der Electrochlor selbstreinigende Chlorinator arbeitet innerhalb des hierunter in der Tabelle aufgefuehrten Bereiches.

### Electrochlor Standart Modell

Die Standardchlorinatorzelle besteht ebenfalls aus Anode u. Kathode. Die Methode der Chlorinerzeugung ist dieselbe wie im selbstreinigenden Modell.

Die Polaritaet des elektrischen Potentials der Electroden ist in der Fabrick festgelegt und darf nicht umgekehrt werden. Umkehrung verursacht Zerstoerung der Zelle.

Nach einiger Zeit wird an der Kathode ein weisser Belag entstehen. Dieser Belag benoetigt zeitweise Entfernung. Versaemniss der Zellreinigung beeintraehtigt die Funktion des Chlorinators u. kann die Zelle beschaedigen. Sie finden die Reinigungsanweisung an Seite 6.

## SALZPEGEL

**MINIMUM = 5000 T<sub>p</sub>M**

**OPTIMUM = 6000 T<sub>p</sub>M**

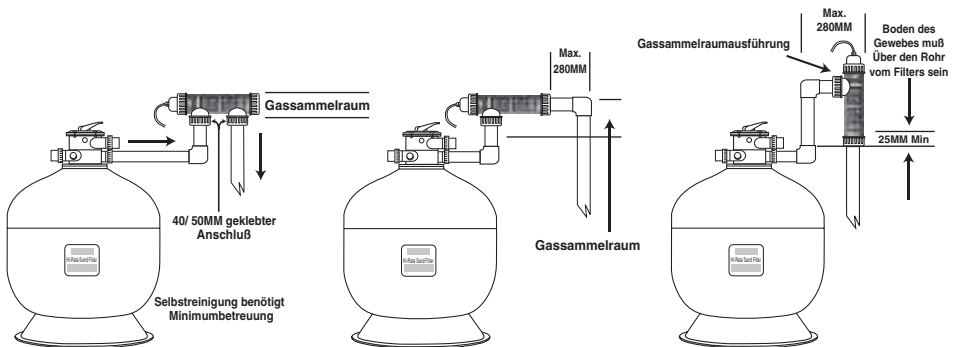
**MAXIMUM = 6500 T<sub>p</sub>M**

Pruefsaetze sind vom Poolfachman in Ihrer Gegend erhaeltlich u. sollen angewendet werden um den Salzgehalt in Ihrem Poolwasser zu pruefen.

# INSTALLATION

1. Die Einheit soll an einen 30 Milliampere max. Residual -stromschutzunterbrecher angeschlossen werden.
2. Ein Unterbrecher (Mehrpolhschalter) soll zur Trennung aller Leiter vom Netz installiert sein.
3. Sichern Sie, dass die Chlorinatorzelle das letztes Gerat in der Reihenfolge der Flussleitung am Filtersystem so installiert ist, dass das erzeugte Chlorin nicht andere Gerate (wie Wasserhitzer) beschaedigt.
4. Die Zelle kann ueber oder unter des Wasserspiegels installiert werden. Wenn es unter dem Wasserspiegel angebracht ist, sichern Sie, dass ein Sperrventil installiert ist, so dass die Einheit betrauet werden kann, ohne Wasser aus dem Pool zu verlieren.
5. Die Zelle kann zu verschiedenen Winkeln angebracht werden, so lange ein Gassammelraum darin vorgesehen ist.
6. Installieren Sie die Einheit an einer ueberdeckten Flaechе, entfernt von Benaessungsgefahr.

**GASSAMMELRAUM :** Die Zelle muss so angelegt sein, dass sie einen Gassammelraum zur verfuengung stellt. Der Boden der Zelle muss ueber der Oberflaeche des Rohres vom vorherliegenden Teil eines Gerates angebracht sein.



Installation nach den abgebildeten Darstellungen verhindert, dass Gas (Ein Beiprodukt des Electrolysevorgangs) sich nicht im Filter ansammelt, falls der mitnehmende Wasserfluss zum Stillstand kommen wuerde.

## NORMALE ARBEITSWEISE - ALLE MODELLE

In normaler Arbeitsweise leuchtet das rote LED- Anzeigelicht nicht auf. Die erzeugte Chlorinmenge kann mit der Chlorinerzeugungseinstellung gewaehlt werden. Die Stellung dieser Einstellung ist durch die Zahl der aufleuchtenden LED Lichter angezeigt. Der Ausgang des Chlorinators kann so eingestellt werden, dass er den Jahreszeitlichen Forderungen entspricht um das verlangte Hygieneniveau zu erhalten.

Mit der Einstellung in maximaler Arbeitsweise wird die Chlorinproduktion 100% sein und alle gruenen LED Anzeigelichter leuchten bei richtigem Salz zu Wasser Gleichgewicht auf.

Die Zelle kann auch jederzeit ausgeschaltet werden, falls das Wasser im Pool ueberchloriniert wurde.

Wenn das rote LED licht aufleuchtet gilt einer der nachfolgenden Zustaende:

- Der Salzgehalt im Wasser fiel unter des notwendigen Wertes fuer die Funktion.
- Es besteht zuviel Anlagerung von Calcium, so dass der Sensor des Gerates den Wasserfluss nicht abfuehlen kann.
- Die Wassertemperatur ist zu niedrig.

**NOTIERE :** Der Microprocessor am selbstreinigenden Chlorinator haelt sein Memory, im Falle eines Stromausfalls u. sichert, dass die Reihenfolge des Umkehrvorgangs nach Wiedereinschaltung erhalten bleibt.

# SCHALTUHRARBEITSWEISE

## Standart Schaltuhrerausfuhrung

Wenn der Chlorinator zu "Auto" geschaltet ist, laeuft die Shaltuhr u. schaltet beide, Pumpe u. Chlorinator zusammen ein.

## Einstellung der Schaltuhr

Stezen Sie die Uhr durch Drehung des Aussenrings im Uhrzeigersinn bis der weisse Pfeil am inneren Ziffernblatt zur richtigen Uhrzeit am aeusseren Ziffernring zeigt.

Die Uhr zeigt in 24 Studenfolge an und muss nach Stromausfall neu einstellt werden.

## Einstellung der Filtrierung / Chlorinierzeit.

Arbeitszeit des Filters / Chlorinators wird durch Ausziehen der entsprechenden Stifte gesetzt, die der wirklichen Zeit am aeusseren Ziffernring entsprechen. Jeder Stift representiert 15 Minuten Uhrzeit.



*Filtrierung / Chlorinierung  
Eingestellt fuer 3.5 Stunden  
10.15bis 13:45*

*Zeit zeigt 09.50*

# WARTUNG

Der selbstreinigende Chlorinator ist entwickelt, um die Notwendigkeit der Reinigung der Zelle zu verringern. Doch ist zeitweilige Nachpruefung noetig, um vollstaendige Funktion zu gewaehren.

## Zellreinigungsvorgang fuer beide, selbstreinigende- und Standardtypzellen.

1. Schalten Sie die Filtriereinrichtung aus u. Unterbrechen Sie den Stromzufluss zum Steuergeraet.
2. Entschrauben Sie die Zelle vom klaren Ende des Zellgehaeuses.

**NOTIERE : Zellanschlussdraehte sind mit farbgekodeten Draehten, die gleichfarbig mit den Draehten in der Anschlussdose am Boden des Stromversorgungsgeraetes geliefert. Fuer Wiederinstallation der Draehte zum Chlorinator muessen diese gleichfarbig in der Dose angeschlossen werden.**

3. Tauchen Sie nur die Zellektroden in einen Behaelter mit Salzzellenreinigungsmittel (Eine speziellformulierte Chemikalie) um das aufgebaute Calcium vom Zellengewebe zu loesen.Erlauben Sie genuegend Zeit fuer die Aufloesung des Calciumbelags vom Zellgewebe.
4. Nachdem der Calciumbelag entfernt ist, waschen Sie das uebrige Calcium u. das Loesungsmittel mit Wasser ab.
5. Bauen Sie die Zelle wieder zusammen. Verbinden Sie die Anschlussdraehte wieder in die Anschlussdose falls diese entfernt wurden. Sichern Sie, dass die Draehte zum Chlorinator gleichfarbig in der Dose angeschlossen werden.
6. Schalten Sie den Strom zu der Filtriereinheit ein und pruefen sie die Funktion.

**Verwenden Sie nie Mittel die nicht speziell fuer die Reinigung der Electrochlorzellen hergestellt sind Dies wuerde die Zellen beschaedigen und die Lebensdauer verkuerzen und kann die Garantie unguelteig machen. Fragen Sie den Poolfachmann Ihrer Gegend fuer Beratung an Reinigungsmittel.**

# CHEMISCHER ZUSTAND DES WASSERS

Es ist wichtig den richtige Chemischen Zustand im Schwimmbad zu erhalten. Dies hilft die Electrochlor Chlorinatoreinheit und die Zelle zu schuetzen.

Fragen Sie den Haendler Ihrer Gegend fuer den richtigen Wasserzustand entsprechend dem Typ Ihres Schwimmbades. Der Electrochlor Chlorinator arbeitet innerhalb der in der folgenden Tabelle angegebenen Werte.

pH	7.2 - 7.8	Vorgeschlagen 7.2 - 7.6
Total Alkalinitaet	60 - 200 TpM	Vorgeschlagen 80 - 150 TpM
Calcium Haerte	100 - 500 TpM	Vorgeschlagen 60 - 250 TpM
Stabilisierer Sonnenschutz	30 - 60 TpM	
Salz	5000 - 6500 TpM	Vorgeschlagen 6000 TpM

## FEHLERSUCHE U. BESEITIGUNG

SYMPTOM	MOEGLICHE URSACHE	BESEITIGUNG
<b>Wassersensing rotes LED Leoescht nicht.</b>	Wasserfluss ist begrenzt.	Leren Sie den Lintkorb. Reinigen Sie das Filter. Pruefen Sie den Wasserstand. Sehen Sie, dass alle Ventile offen sind.Schalten Sie zu normaler Filterung um.
	Rueckwaschung im Vorgang.	
	Verschmutzter Flussabtaster (Sensor).	Reinigen Sie den Flussabtaster (Sensor).
	Fehler in der Elektronik.	Geben Sie diese zum Haendler zur Reparatur.
<b>Niedriger Chloringehalt im Pool.</b>	Arbeitszeit zu kurz.	Verlaengern Sie die Arbeitszeit.
	Produktionseinstellung zu niedrig.	Drehen Sie Einstellknopf zur Erhoehung der Produktion.
	Zu wenig Salz.	Geben Sie die noetige Menge Salz dazu.
<b>Nicht alle gruenen LED's leuchten auf wenn die Einstellung auf maximum gestellt ist.</b>	Chemischer Zustand des Pools nicht richtig.	Lassen sie das Wasser pruefen.
	Zu wenig Salz. Wassertemperatur unter 15°C.	Setzen Sie Salz zu. Erhoehen Sie die Wassertemperatur auf 20°C und darueber.
<b>Einheit arbeitet nicht nicht.</b>	Zelle verschmutzt oder belegt.	Reinigen Sie die Zelle.
	Kein elektrischer Strom.	Stecken Sie und schalten Sie den Strom ein Pruefen Sie die Sicherung.
	Pumpe ist nicht angeschlossen.	Schliessen Sie die Pumpe an.
	Schaltuhr ist nicht eingestellt.	Stellen Sie die Schaltuhr ein.
	Elektrischer Fehler.	Geben Sie die Einheit zum Haendler zur reparatur.

## TECHNISCHE DATEN

### 20A Modell 220- 240V- 50/60 Hz Verwendung

Eingangsspannung in Volt .....	220- 240V Wechselstr. 50/60 Hz
Chlorinator Leistungsverbrauch .....	250 W
Maximaler Stromverbrauch.....	10A
Pumpenanschlussstrom max .....	8A
Zellspannung .....	6-8 V Gleichstr
Maximaler Zellenstrom (ueber 20° C) .....	20A Gleichstr
Schutzklasse zu AS 1939 .....	IP23

### 30 A Modell 220- 240- 50/60 Hz Verwendung

Eingangsspannung .....	220-240V Wechselstr. 50/60Hz
Chlorinator Leistungsverbrauch .....	375W
Maximaler Stromverbrauch .....	10A
Pumpenanschlussstrom max .....	8A
Zellspannung .....	6-8V Gleichstr
Maximaler Zellstrom (ueber 20°C) .....	30A Gleichstr
Schutzklasse zu AS 1939 .....	IP23

Alle Einheiten sind mit einer 3 Amp. Sicherung ausgestattet.

## ALLGEMEINE SICHERHEITSGESAMTREGELN

1. Die in diesem Handbuch genannten Anlagen sind spezifisch fuer Hygenisierung von Wasser in Schwimmbaedern entwickelt.
2. Diese sind entwickelt fuer Verwendung von Wasser, das 35°C (95F) nicht ueberschreitet.
3. Die Installation soll gemaess den Sicherheitsvorschriften fuer Schwimmbaeder, besonders Standard HD 384.7.702 u. den Einzelvorschriften fuer jede Einrichtung ausgefuehrt werden.
4. Die vorgeschriebenen Regeln fuer Unfallverhuenderung sollen sorgfaeltig befolgt werden.
5. Jegliche Aenderung des Chlorinators verlangt vorausgehende Erlaubniss des Herstellers. Original Ersatzteile und vom Hersteller genehmigter Zubehoer gewaehren einen hohen Grad von Sicherheit. Der Hersteller uebernimmt keine Verantwortung fuer Schaden oder Verletzungen die durch nichtgenehmigte Ersatzteile oder Zubehoer verursacht wurden.
6. Waehrend des Betriebes halten Teile des Chlorinators hohe Spannung. Arbeit am Chlorinator oder angeschlossenen Einrichtungen darf nur nach Abtrennung von der Stromversorgung ausgefuehrt werden.
7. Der Gebraucher soll sicher machen, dass die Installation und Instandhaltungsaufgaben bei fachmaennisch zugelassenen Personen ausgefuehrt wird und dass diese Personen erst die Installations- u. Wartungsanweisungen gelesen haben.
8. Die Arbeitssicherheit des Chlorinators ist nur gewaehrleistet, wenn die Installations- u. Wartungsanweisungen richtig befolgt werden.
9. Die Hoechstwerte der in den Technischen Daten angegebenen Werten sollen unter keinen Umstaenden uebertroffen werden.
10. Im Falle einer fehlerhaften Funktion, verbinden Sie sich mit der Technischen Unterstuetzungsabteilung, oder dessen zugelassene naechste Agentur.
11. Falls das Zuleitungskabel beschaedigt ist, muss es bei dem Hersteller oder seiner Serviceagentur oder einer gleichqualifizierten Person ersetzt werden.

Diese Chlorinatoren sind nach AS 3136 unter Schwimmbadausruestung als ein beschriebener Artikel unter australischer Registrierung bestaetigt und genehmigt.

Diese Chlorinatoren entsprechen dem Australian Compability Standard, markiert bei einem C-Tick.

# Sommaire

CARACTERISTIQUES ET AVANTAGES .....	13
CONSTRUCTION .....	14
DESCRIPTION TECHNIQUE .....	14
INSTALLATION .....	15
FONCTIONNEMENT NORMAL - TOUS MODELES .....	15
PROGRAMMATION DU FONCTIONNEMENT .....	16
ENTRETIEN .....	16
ANALYSE CHIMIQUE DE L'EAU .....	17
DEPANNAGE .....	17
CARACTERISTIQUES TECHNIQUES .....	18
MESURES DE SECURITE GENERALES .....	18

## ATTENTION

*Pour réduire le risque d'électrocution, si le cordon d'alimentation électrique est endommagé il doit immédiatement être remplacé par le fabricant, un agent de service ou une personne qualifiée.*

## CARACTERISTIQUES ET AVANTAGES

La gamme de chlorateurs Electrochlor associe une remarquable ergonomie et un nouveau format vertical ultramince à la simplicité de l'électronique et une chloration automatique fiable. Ce nouveau bloc d'alimentation incorpore un affichage de diagnostic complet comportant les niveaux de chlore produits, la détection de l'eau, et un niveau de chlore réglable manuellement pour permettre un assainissement simple et efficace de la piscine. Le modèle autonettoyant a été mis au point pour supprimer la nécessité de nettoyer les électrodes de la cellule et ce, en ayant recours à la technique de la polarité inverse afin de supprimer la formation de calcaire et maintenir la propreté des électrodes pour un rendement optimum.

## CONSTRUCTION

Les chlorateurs Electrochlor de Waterco sont construits pour durer.

Le bloc d'alimentation est constitué de matières plastiques de première qualité et comporte un grand radiateur en aluminium pour mieux dissiper la chaleur.

Le boîtier de la cellule est moulé dans un acrylique transparent stabilisé aux rayons ultraviolets. Dans les chlorateurs standards, l'anode de l'électrode de la cellule est constituée d'un maillage en titane avec un revêtement spécial tandis que la cathode est constituée d'un maillage en titane pur. Dans les chlorateurs autonettoyants, toutes les électrodes de la cellule sont constituées d'un maillage en titane doté d'un revêtement spécial.

## DESCRIPTION TECHNIQUE

### Modèle Electrochlor autonettoyant

Le chlorateur Electrochlor produit du chlore en faisant passer un courant continu dans de l'eau moyennement salée (saline).

Les électrodes, anode et cathode, assurent une différence de potentiel électrique pendant une durée déterminée. Lorsque la polarité de la différence de potentiel électrique est inversée, l'anode devient la cathode et la cathode devient l'anode. L'inversion de polarité supprime toute formation de calcaire qui aurait pu se déposer sur la cathode.

Cette inversion du processus nettoie le calcaire qui aurait pu se déposer sur la cellule, à condition que l'équilibre chimique de l'eau de la piscine ait été maintenu dans les limites des paramètres normaux.

Il est conseillé de faire effectuer régulièrement une analyse chimique de l'eau par un piscinier afin de s'assurer que l'équilibre de l'eau de la piscine se situe dans la plage voulue.

Le chlorateur autonettoyant Electrochlor fonctionne dans les niveaux de sel indiqués ci-dessous.

### Modèle Electrochlor standard

La cellule du chlorateur Electrochlor standard comporte également une anode et une cathode. La méthode de production de chlore est la même qu'avec le modèle autonettoyant.

La polarité du potentiel électrique entre les électrodes est réglée en usine et ne doit pas être inversée, sinon la cellule pourrait être endommagée.

Au fil du temps une couche de calcaire blanc se formera sur la cathode de la cellule. Cette couche de calcaire doit être éliminée. Si la cellule n'est pas nettoyée, l'efficacité du chlorateur en sera réduite et la cellule pourra être endommagée. Voir en page 6 comment procéder à ce nettoyage.

## NIVEAUX DE SEL

**MINIMUM = 5000 ppm**

**OPTIMUM = 6000ppm**

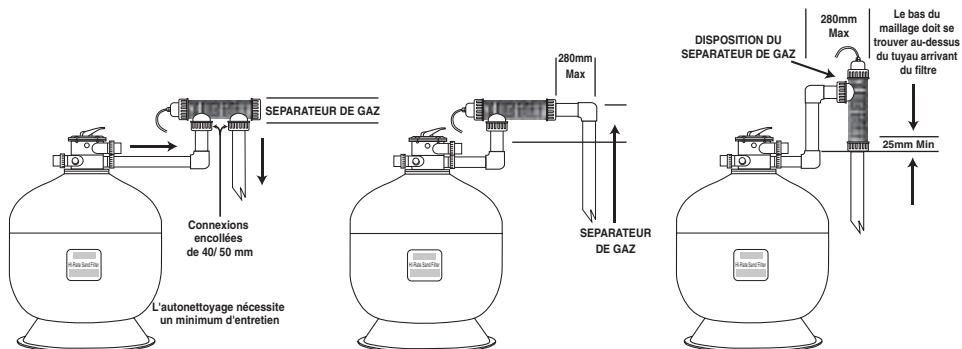
**MAXIMUM = 6500ppm**

Des kits de contrôle sont disponibles chez les fournisseurs de produits pour piscine et doivent être employés pour définir précisément le niveau de sel dans l'eau de la piscine.

# INSTALLATION

1. Le chlorateur doit être branché sur un dispositif de courant résiduel de 30mA max.
2. Un interrupteur (coupe-circuit, etc.) doit être installé pour pouvoir débrancher tous les pôles de l'alimentation secteur.
3. S'assurer que la cellule du chlorateur est la dernière partie de l'équipement installée en ligne sur le système de filtration – ceci pour que le chlore produit n'endommage pas d'autres équipements tels que les radiateurs.
4. La cellule peut être placée au-dessus ou au-dessous du niveau de l'eau. Si elle est située au-dessous du niveau de l'eau, veiller à installer un clapet d'isolement pour pouvoir nettoyer la cellule sans perdre de l'eau de la piscine.
5. La cellule peut être installée sous différents angles à condition qu'elle soit munie d'un séparateur de gaz.
6. Procéder à l'installation sous abri, loin de toute projection d'eau.

**SEPARATEUR DE GAZ :** La cellule doit être disposée de manière à être combinée avec un séparateur de gaz. Le bas de la cellule doit se trouver au-dessus du tuyau de la partie précédente du système comme indiqué sur le schéma ci-dessous.



L'installation selon ce schéma empêchera l'hydrogène (un produit résultant du processus d'électrolyse) de s'accumuler dans le filtre dans le cas où le débit d'eau d'épuration serait interrompu.

## FONCTIONNEMENT NORMAL - TOUS MODELES

En fonctionnement normal, le témoin à DEL ROUGE est éteint. Le volume de chlore produit peut être réglé à l'aide de la commande de production de chlore. Le réglage de cette commande est indiqué par le nombre de témoins à DEL VERTE allumés. Le débit du chlorateur peut être réglé selon les besoins saisonniers afin de conserver un niveau d'assainissement satisfaisant de chlore.

Lorsque la commande est en position maximum, la production de chlore se situe à 100% et tous les témoins à DEL VERTE seront allumés avec un bon équilibrage de l'eau.

La cellule peut être débranchée à tout moment s'il y a trop de chlore dans l'eau.

Le témoin à DEL ROUGE allumé indique soit que :

- Le niveau de sel dans l'eau se situe au-dessous des limites de fonctionnement voulues.
- Il y a un dépôt de calcaire trop important sur les cellules pour qu'elles puissent détecter la circulation d'eau.
- La température de l'eau de la piscine est trop basse.

**REMARQUE :** Le microprocesseur du chlorateur autonettoyant conserve les réglages en mémoire en cas de coupure de courant, ce qui permet lors de la remise en route de reprendre la même séquence de fonctionnement du cycle d'inversion.



# PROGRAMMATION DU FONCTIONNEMENT

## Version programmeur standard

Lorsque le chlorateur est programmé sur "auto", le programmeur est en service et met en route à la fois la pompe et le chlorateur.

## Réglage du programmeur

Régler l'heure en faisant tourner la bague extérieure dans le sens des aiguilles d'une montre jusqu'à ce que la flèche blanche sur l'horloge soit située sur l'heure voulue de l'horloge extérieure.

L'horloge a une séquence de 24 heures. Elle doit être réglée de nouveau en cas de coupure de courant.

## Réglage du temps de filtration / de fonctionnement du chlorateur

Les durées de fonctionnement des filtre / chlorateur sont fixées en faisant saillir les ergots correspondant au temps réel sur la face extérieure de l'horloge. Chaque ergot correspond à 15 minutes de l'horloge.



*Fonctionnement des filter/  
chlorateur réglé pour 3,5 heures  
10h 15 à 13h45.*

*Heure indiquée : 09h50*

# ENTRETIEN

Bien que le chlorateur autonettoyant ait été conçu pour diminuer de manière notable la nécessité de nettoyer la cellule, une vérification périodique doit être effectuée pour obtenir un rendement optimal.

## Procédure de nettoyage des cellules des modèles autonettoyants et standards

1. Arrêter le système de filtration et débrancher l'alimentation secteur du chlorateur.
2. Dévisser la cellule du boîtier transparent. Si besoin, dévisser le câble de la cellule fixé au boîtier de connexion placé au-dessous du boîtier d'alimentation Electrochlor.

**REMARQUE :** *Les câbles d'alimentation sont repérés par des couleurs correspondant au bornier dans le boîtier de connexion situé sous le boîtier d'alimentation. Pour replacer les câbles sur le chlorateur, faire correspondre les couleurs des câbles de la cellule avec celles du boîtier de connexion.*

3. Placer l'électrode de la cellule seulement dans un seau de Solution de Nettoyage du Sel de la cellule (une solution chimique spécialement conçue) pour dissoudre le calcaire formé autour des électrodes de la cellule. L'y laisser suffisamment longtemps pour que la solution dissolve le calcaire formé autour du maillage de la cellule.
4. Une fois le calcaire dissous, rincer à l'eau l'excédent de calcaire et de solution.
5. Remonter la cellule et rebrancher les fils de la cellule sur le boîtier de jonction s'ils avaient été débranchés. Vérifier que les couleurs des fils correspondent à celles du bornier dans le boîtier de connexion, comme indiqué ci-dessus.
6. Brancher le courant sur le système de filtration et vérifier que le chlorateur fonctionne bien.

**Ne jamais employer de produits qui n'ont pas été spécialement fabriqués pour nettoyer les cellules Electrochlor. Ne pas utiliser d'acides purs tels que l'acide chlorhydrique ou équivalent pour nettoyer les cellules. Ceci endommagerait les cellules, réduirait fortement leur durée de vie et pourrait entraîner la suppression de la garantie. Consulter un piscinier pour en savoir plus sur les produits de nettoyage de cellules.**

# ANALYSE CHIMIQUE DE L'EAU

Il est impératif de conserver un équilibre chimique correct de l'eau dans la piscine, ceci pour protéger le chlorateur Electrochlor et sa cellule.

Voir avec votre piscinier quel est l'équilibre correct de l'eau en fonction de votre piscine.

Le chlorateur Electrochlor fonctionne convenablement dans les conditions chimiques suivantes :

pH.	7,2 à 7,8.	Conseillé 7,2 à 7,6
Alcalinité totale	60 à 200ppm	Conseillée 80 à 150ppm
Dureté du calcaire	100 à 500ppm	Conseillée 60 à 250ppm
Stabilisateur (écran solaire)	30 à 60ppm	
Sel	5000 à 6500ppm	Conseillé 6000ppm

## DEPANNAGE

SYMPTOME	CAUSE POSSIBLE	REMEDE
<b>La DEL de détection de l'eau ne s'éteint pas</b>	Débit d'eau réduit	Vider le panier à feuilles. Nettoyer le filtre. Contrôler le niveau d'eau. Vérifier que toutes les vannes sont ouvertes.
	Lavage à contre-courant en cours	Passer en filtration normale.
	Détecteur de débit sale	Nettoyer le détecteur de débit.
	Panne électronique	Retourner le matériel chez le distributeur pour réoation.
<b>Faible taux de chlore dans la piscine</b>	Durée de fonctionnement insuffisante	Augmenter la durée de fonctionnement.
	Commande de production trop basse	Tourner le bouton de commande pour augmenter la production.
	Pas assez de sel	Ajouter la quantité de sel nécessaire.
	Analyse chimique incorrecte	Faire contrôler l'eau.
<b>La DEL de production de chlore affiche un niveau bas</b>	Commande de production de chlore réglée trop basse	Tourner le bouton de commande pour augmenter la production.
<b>Toutes les DEL ne s'allument pas lorsque la commande est réglée au maximum</b>	Manque de sel, température de l'eau inférieure à 15°C, cellule sale ou entartré.	Ajouter du sel, porter la température de l'eau à 20°C et plus. Nettoyer la cellule.
	Panne électrique Elektrischer Fehler.	Retourner le matériel chez le distributeur pour réparation.
<b>L'unité ne fonctionne pas</b>	Pas de courant	Brancher sur le secteur, vérifier le fusible.
	Pompe non branchée	Brancher la pompe.
	Réglage de l'horloge	Remettre l'horloge à l'heure.
	Panne électrique	Retourner le matériel chez le distributeur pour réparation.

## CARACTERISTIQUES TECHNIQUES

### Modèle 20A 220-240V - 50/ 60Hz

Tension d'entrée primaire .....	220-240V alternatif 50/ 60Hz
Consommation du chlorateur .....	250W
Intensité maximum .....	10A
Roulement de la pompe .....	8A max
Tension de la cellule .....	6 à 8V CC
Intensité maximum de la cellule (au-dessus de 20°C) .	20A CC
Degré de protection selon AS1939 .....	IP23

### Modèle 30A 220-240V - 50/ 60Hz

Tension d'entrée primaire .....	220-240V alternatif 50/ 60Hz
Consommation du chlorateur .....	375W
Intensité maximum .....	10A
Roulement de la pompe .....	8A max
Tension de la cellule .....	6 à 8V CC
Intensité maximum de la cellule (au-dessus de 20°C) .	30A CC
Degré de protection selon AS1939 .....	IP23

Tous les modèles sont munis d'un fusible à réenclenchement automatique de 3 ampères.

## MESURES DE SECURITE GENERALES

1. Le matériel décrit dans ce manuel est spécialement conçu pour l'assainissement de l'eau dans les piscines.
2. Il est conçu pour fonctionner avec de l'eau propre et à une température inférieure à 35°C ( 95°F).
3. L'installation doit être réalisée selon les instructions de sécurité en matière de piscine et en particulier selon la norme HD 384.7.702 et les instructions particulières pour chaque équipement.
4. La réglementation en matière de prévention des accidents doit être scrupuleusement observée.
5. Toute modification apportée au chlorateur doit être d'abord approuvée par le fabricant. Les pièces de rechange et accessoires homologués par le fabricant assurent un haut niveau de sécurité. Le fabricant ne saurait supporter la moindre responsabilité pour les dommages ou blessures résultant de l'utilisation de pièces et accessoires non homologués.
6. Pendant le chlorateur est en marche, certaines parties de l'appareil sont soumises à des tensions électriques dangereuses. En cas d'intervention sur le chlorateur ou sur le matériel auquel il est relié, ceux-ci, ainsi que le dispositif de lancement, doivent être débranchés du secteur.
7. L'utilisateur doit veiller à ce que le montage et les opérations d'entretien soient effectués par un personnel qualifié et que ce personnel a bien pris connaissance des instructions de montage et d'entretien.
8. La sécurité de fonctionnement du chlorateur ne peut être garantie que si les instructions de montage et d'entretien ont été respectées.
9. Les valeurs limites définies dans les caractéristiques techniques ne doivent en aucun cas être dépassées.
10. Dans le cas de fonctionnement défectueux ou de panne, contacter le Département d'assistance technique du fabricant ou son représentant agréé le plus proche.
11. Si le câble d'alimentation venait à être endommagé, le faire remplacer par le fabricant, par son agent d'entretien ou par toute autre personne dûment qualifiée.

Ces chlorateurs sont homologués et répondent à la norme AS3136 en matière d'équipement de piscine, comme il est prescrit par la réglementation australienne.

Ces chlorateurs répondent à la norme australienne en matière de compatibilité électromagnétique (C-tick).

*OFFICES - AUSTRALIA*

NSW - SYDNEY  
(HEAD OFFICE)  
Tel: +61 2 9898 8600

QLD - BRISBANE  
Tel: +61 7 3299 9900

VIC/TAS - MELBOURNE  
Tel: +61 3 9764 1211

WA - PERTH  
Tel: +61 8 9273 1900

SA/NT - ADELAIDE  
Tel: +61 8 8244 6000

ACT DISTRIBUTION  
Tel: +61 2 6280 6476

*OFFICES - OVERSEAS*

WATERCO (EUROPE) LIMITED  
Sittingbourne, Kent, UK  
Tel: +44 (0) 1795 521 733

WATERCO FRANCE  
Saint Priest, France  
Tel: +33 4 72 79 33 30

WATERCO (USA) INC  
Augusta, Georgia, USA  
Tel: +1 706 793 7291

WATERCO CANADA  
Longueuil, Quebec, Canada  
Tel: +1 450 748 1421

WATERCO (NZ) LIMITED  
Auckland, New Zealand  
Tel: +64 9 525 7570

WATERCO © LIMITED  
Guangzhou, China  
Tel: +86 20 3222 2180

WATERCO (FAR EAST) SDN BHD  
Selangor, Malaysia  
Tel: +60 3 6145 6000

PT WATERCO INDONESIA  
Jakarta, Indonesia  
Tel: +62 21 4585 1481

WATERCO SINGAPORE INTL PTE LTD  
Nehsons Building, Singapore  
Tel: +65 6344 2378

**WATERCO**

Waterco Limited ABN 62 002 070 733

