

# Opal - Hydrotuf Filtration Skid Pack MultiCyclone Plumbing Kit Installation Instructions

*Congratulations:*

For choosing to install a Waterco  
Opal – Hydrotuf Filtration Skid  
Pack.

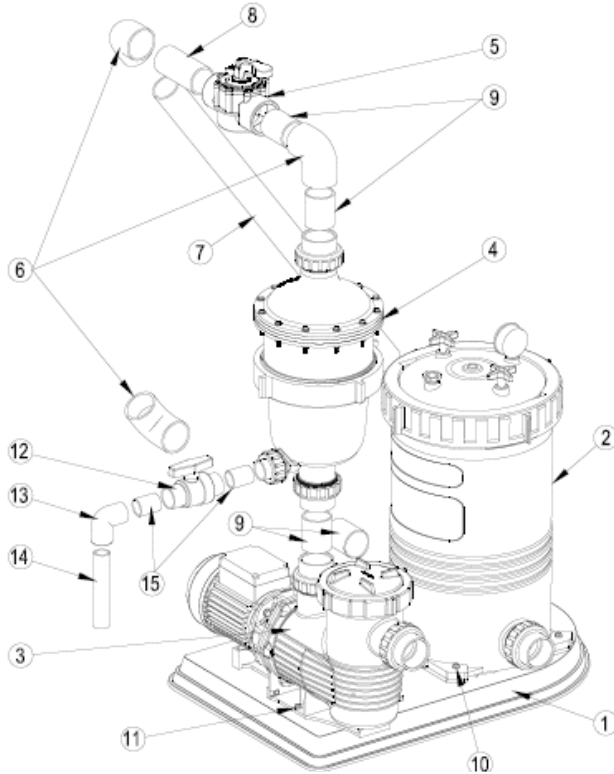


Illustration 1

ITEM	DESCRIPTION	QTY	NOTES
1	SKID BASE	1	p/n 455571
2	OPAL FILTER	1	p/n Depends on Model
3	HYDROTUF PUMP	1	p/n Depends on Model
4	MULTICYCLONE 50	1	p/n 200370
5	50 MM 2WAY VALVE	1	p/n 14856 c/w Plumbing Kit
6	ELBOW 90° X 50MM BLACK	3	p/n 121352 c/w Plumb,Kit
7	PIPE 50MM BLACK - 920MM LONG	1	Supplied with Plumbing Kit
8	PIPE 50MM BLACK - 110MM LONG	1	Supplied with Plumbing Kit
9	PIPE 50MM BLACK - 70MM LONG	4	Supplied with Plumbing Kit
10	SCREW COACH M8X40 S/S	4	Supplied with Skid Base
11	SCREW COACH M6X30 Z/P	2	p/n 45554 c/w Plumb,Kit
12	BALL VALVE 25MM BLACK	1	p/n 140252 c/w MC50
13	ELBOW 90° X 25MM BLACK	1	p/n 121325 c/w MC50
14	PIPE 25MM BLACK - 180MM LONG	1	Cut from 300mm c/w MC50
15	PIPE 25MM BLACK - 60MM LONG	2	Cut from 300mm c/w MC50

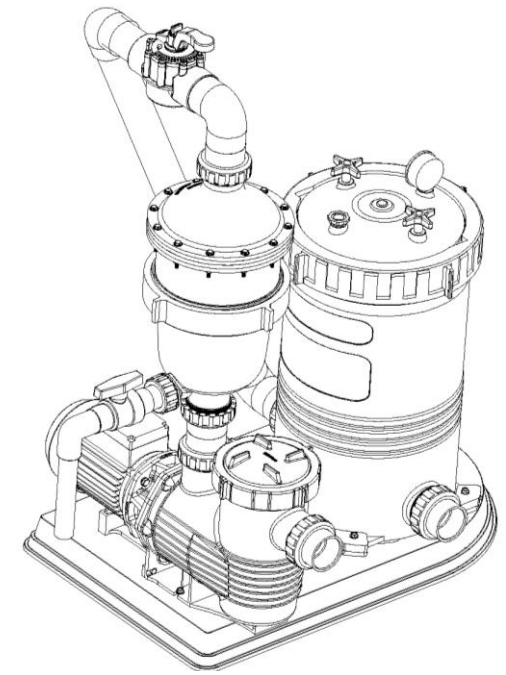


Illustration 2

The skid pack has been supplied with a Hydrotuf pump & Opal cartridge filter installed on a skid base. The only additional assembly required is the supplied MultiCyclone Pre-Filter & pre-plumbed pipe kit.

1. Un-pack all plumbing kit components & Multi Cyclone and identify from item list, numbered components & Illustration No 1.
2. It is recommended that you pre-assemble and install MultiCyclone & plumbing kit to skid as illustrated in illustration No 2, prior to applying PVC priming fluid & gluing. This will help to gain correct positioning of all components.
3. Once correct positioning of MultiCyclone & pre-plumbed pipe components is achieved apply PVC priming fluid & glue into final position.

**Note:** Please refer to manufacturers use & application instructions for PVC priming fluid & glue prior to use. We recommend the use of Waterco's PVC priming fluid & glue.

**Note:** Ensure all barrel union connections are tightened sufficiently to prevent water leaks, do not over tighten.