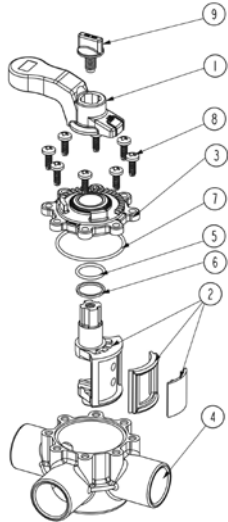
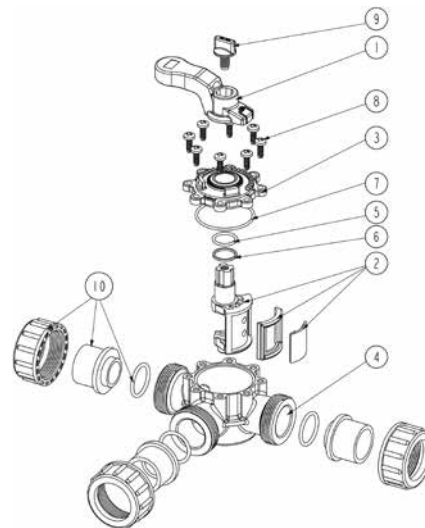


# 2 & 3 WAY VALVES

| Part Number  | Product Description                 | Diagram Number |
|--|-------------------------------------|----------------|
| <b>FPI 2 &amp; 3 WAY VALVES 25/32mm</b>              |                                     |                |
| (For product codes: 148500, 148502, 148503 & 148505) |                                     |                |
| 14850  | 25/32mm 2/3 way valve handle        | 1              |
| 148480   | Rotor assembly                      | 2              |
| 14851  | Lid                                 | 3              |
| 663366   | Axle O'ring - BS118                 | 5              |
| 66330  | 2 & 3 way valve O ring set          | 6              |
| 644791   | Lid O'ring- BS141                   | 7              |
| 663381   | Screw TY-B 6.25x18.8mm (8 required) | 8              |
| 66387  | Handle pin lock                     | 9              |
| 122252   | Half union 25mm black               | 10             |
| 644790   | O'ring half union 25mm - BS218      | 10             |

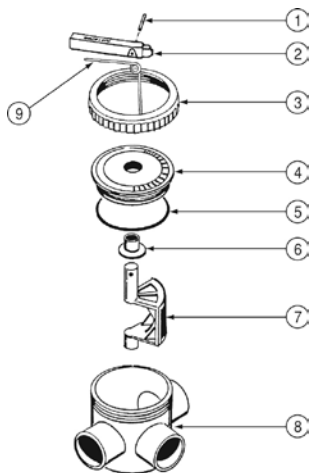


**FPI Valve 25mm Slip Fit**

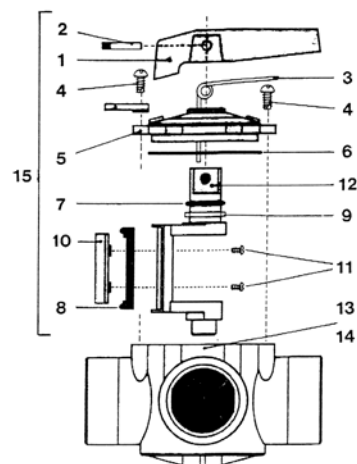


**FPI Valve 25mm Threaded**

| Part Number                                | Product Description                            | Diagram Number |
|--|--|----------------|
| <b>FULFLO 2 &amp; 3 WAY VALVES 40/50mm</b> |  |                |
| (For product codes 14842/14843)            |  |                |
| 14849                                      | 2/3 way valve handle (1), pin (2) & spring (9) | 1, 2 & 9       |
| 14848                                      | 2/3 way valve spool & diverter seal            | 7              |
| <b>FPI 2 &amp; 3 WAY VALVES 40/50mm</b>    |  |                |
| (For product codes 14852/14853)            |  |                |
| 66320                                      | FPI 2/3 way valve internal assembly            | 15             |
| 66325                                      | FPI 2/3 way handle set                         | 1,2,3,5        |
| 66330                                      | FPI 2/3 way o ring set                         | 6,7,8,9        |
| 66335                                      | FPI 2/3 way valve change plate set             | 10,11          |



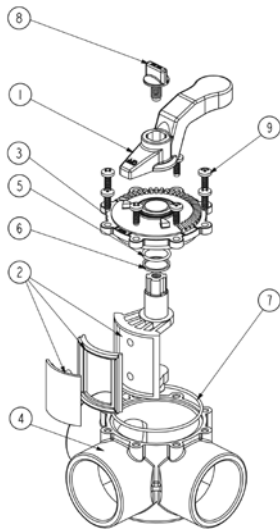
**Fulflo 40mm Valve**



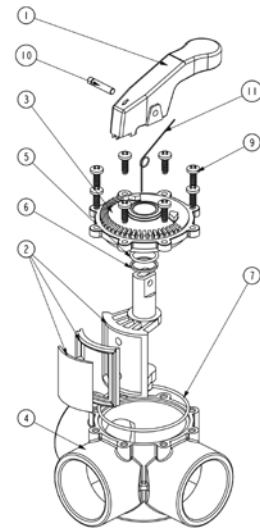
**FPI 2 & 3 Way 40mm Valve**

# 2 & 3 WAY VALVES (continue)

| Part Number  | Product Description                | Diagram Number |
|--|------------------------------------|----------------|
| <b>FPI 2 &amp; 3 WAY VALVES 50/65mm</b>            |                                    |                |
| (For Product Codes: 14856, 14860, 148564 & 148584) |                                    |                |
| 66381  | Handle                             | 1              |
| 663383   | Rotor assembly 50/65 2/3 way valve | 2              |
| 66385  | Lid 360 degree 2/3 way valve       | 3              |
| 663366   | Axle O'ring - BS118                | 5              |
| 66330  | 2 & 3 way valve O ring set         | 6              |
| 663393   | Lid O'ring BS152                   | 7              |
| 66387  | Handle pin lock                    | 8              |
| 663381   | Screw TY-B 6.25x18.8mm             | 9              |
| 663362   | Handle spring                      | 11             |



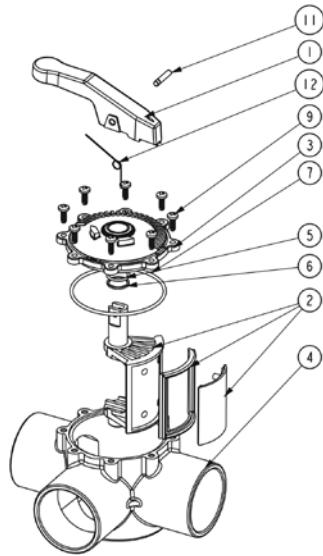
**FPI Valve 50mm Actuated Slip Fit**



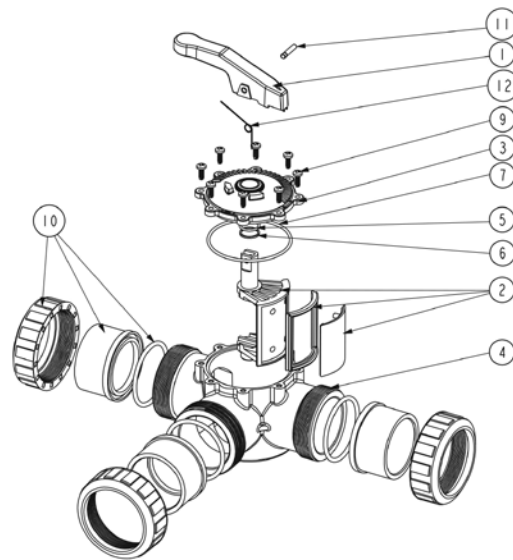
**FPI Valve 50mm Slip Fit**

## 2 & 3 WAY VALVES (continue)

| Part Number                                      | Product Description                 | Diagram Number |
|--|-------------------------------------|----------------|
| <b>FPI 2 &amp; 3 WAY VALVES 65/80mm</b>          |                                     |                |
| (For Product Codes: 14882, 14883, 14892 & 14893) |                                     |                |
| 663390   | Handle                              | 1              |
| 663396   | Rotor assembly                      | 2              |
| 663394   | Lid 65/80 x 180° 2/3 way valve      | 3              |
| 663366   | Axle O'ring - BS118                 | 5              |
| 66330  | 2 & 3 way valve O ring set          | 6              |
| 663395   | Lid O'ring - BS243                  | 7              |
| 663381   | Screw TY-B 6.25x18.8mm (8 required) | 9              |
| 644492   | Half union 65/80mm c/w o'ring       | 10             |
| 63406554   | O'ring half union 65mm - BS338      | 10             |
| 663361   | Handle pin 6x30mm                   | 11             |
| 663362   | Handle spring                       | 12             |
| 663362   | Handle spring                       | 12             |



**FPI Valve 65mm Slip Fit**



**FPI Valve 65mm Threaded**