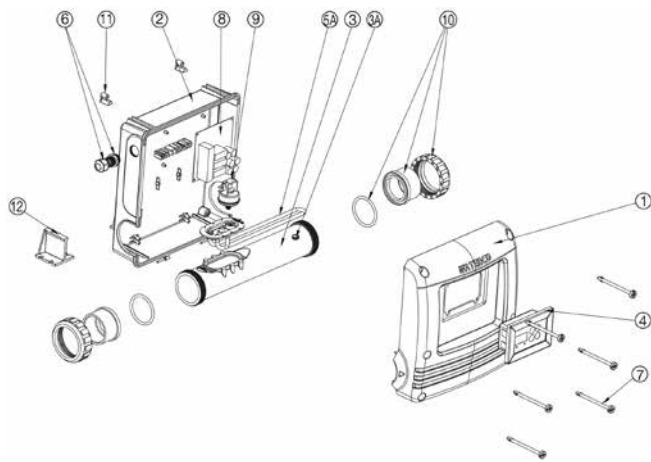


WATERCO DIGIHEAT HEATER

(Product Codes: 281048, 281060, 281183 & 281243)

Part Number	Product Description	Diagram Number
460602	Enclosure Cover	1
460601	Enclosure	2
4605001	Digiheat Element Housing Drilled	3
86172	Gulfstream Plug	3A
6381730	O/T Sensor Digiheat Potted	3B
6940400	Digiheat Control Assembly	4
636138732	Element 3.6W coated	5
636138722	Element 2.4W coated	5
636138742	Element 4.8kW coated	5
636138762	Element 6.0kW coated	5
636138772	Element 8kW coated	5
620259	O-ring for element	5A
6501124	Cable Gland 10-14mm	6
460506	Quarter Turn Key	7
4603255	Digiheat Power Board 1ph	8
4603256	Digiheat Power Board 3ph	8
6367239	Pressure Switch	9
634024542	Half Union 50/40mm Black	10
460507	Mounting Bracket Small	11
460508	Mounting Bracket Large	12
460701	Element Cover Digiheat 3phase	13
460702	Element Cover Cap Digiheat 3phase	14
460334	D25 Contactor	15
85531	Flocheck Valve Digiheat 50mm WCO	
460703	26mm orifice	
85542	Valve Sensing Stem (Digiheat)	18
85168	Black/White Wire Connector #61145	19
460500	Spa Heat Element Housing	20
460705	Digiheat Manifold Outlet	
460704	Digiheat Manifold Inlet	
85527	Flocheck Flapper assy 50mm	

Digiheat Single Phase



Digiheat 3 Phase

