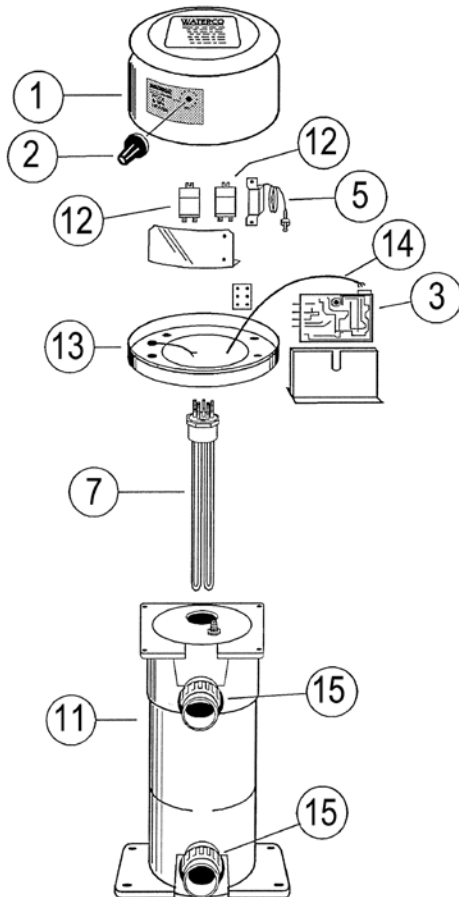


# WATERCO ELECTRIC HEATER (ELECTRONIC) - DISCONTINUED

Part Number	Product Description	Diagram Number
460281	Heater Lid 3 phase	1
46029	Heater Lid single phase	1
S12202	Heater Control Knob	2
4603251	Heater P.C. Board (1 phase & 3 phase)	3
4603252	Spa Heater PCB with Retrofit (additional O/T sensor)	3
460328	Water Sensor	4
46036	Pressure Switch	5
460323	Top Plate 3 phase	6
46002	6kW Element (Polished) Commercial Application	7
46004	8kW Element (Polished) Commercial Application	7
634024B	Union, Tail & O Ring	8/9/10
460312	Heater Body Single Phase	11
460321	Heater Body (18 & 24kW) S/S	11
460337	6kW Single Phase Heater Relay 30 Amp	12
460333	18kW 3 Phase Heater Contactor	12
460334	24kW 3 Phase Heater Contactor	12
460326	Temperature Sensor (1 phase & 3 phase)	14
122243B	Half Union 6kW	15
46019	Element Gasket 6kW, 8kW	n/s
460441	Pressure Switch Fitting - Brass	16

## SINGLE PHASE



## THREE PHASE

