

ELECTROHEAT PLUS MKII Models 85,105,125 & 150 Three Phase

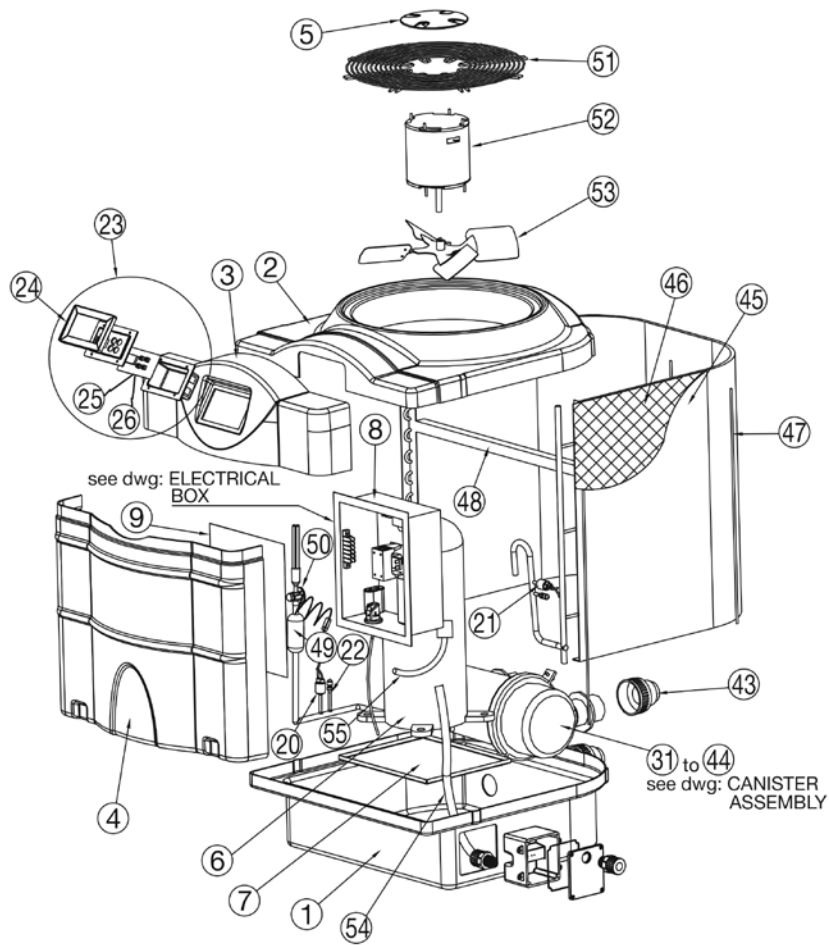
R407C MANUFACTURED FROM OCT 2009 - JAN 2011

(* Important: Please identify the appropriate part number related to the manufacturing date)

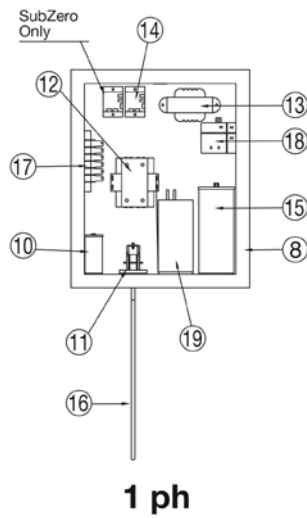
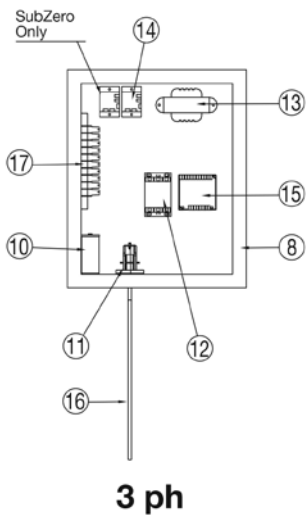
Part Number	Product Description	Diagram Number
69201524	Cabinet Ventilation Cap	5
69101038	Compressor Scroll 5hp R407C (85)	6
69101014	Compressor Scroll 6hp R407C (105)	6
69101040	Compressor Scroll 7hp R407C (125)	
69101047	Compressor Scroll 58hp R407C (150)	6
ELECTRICAL BOX		
69501103	5mf - 370 VAC	10
69401006	Water Pressure Switch	11
69801512	Retaining Ring Pressure Switch	11
69501009	Contactors	12
69400001	Transformer	13
69400002	Fan Relay 24V	14
69401017	Phase Monitor	15
69201303	Clear Rubber Hose	16
SWITCH		
69401002FV	425 - 325 PSI Flare R407C	20
69401003V	25 - 50 PSI Flare R407C	21
69101319	Access Valve Schrader	22
CONTROLLER		
69402000	EH Control Assy - All Models	23
69201527	Escutcheon White	24
69401030	Defrost Sensor Probe - Yellow	25
69401031	Water Temperature Sensor Probe - Black	26
HEAT EXCHANGER		
69101224	28' Large Align (85)	34
69101225	16' Small Opposite - In (Right) (105)	35
69101226	16' Small Opposite - Out (Left) (105)	36
69101227	20' Small Opposite - In (Right) (125)	37
69101228	20' Small Opposite - Out (Left) (125)	38
69101231	24' Large Opposite - In (Right) (150)	39
69101232	24' Large Opposite - Out (Left) (150)	40
122243B	40mm Half Union c/w O Ring Black	43
69051359	Connecting Tube	44
FILTER DRYER		
69101345	1/2" X 1 5/8" OD (85)	49
69101339	1/2" ODF 5 Tons (105, 125 & 150)	49
EXPANSION VALVE		
69101359	Expansion Valve 4 Tons R407C	50
69101372	Expansion Valve 5 Tons R407C (85)	50
69101365	Expansion Valve 6 Tons R407C (105)	50
FAN GUARD		
69601103	Round Medium (85)	51
69601104	Round Large (105, 125 & 150)	51
FAN MOTOR		
69301006	1/6 hp 900/1075 RPM (85)	52
69301004	1/4 hp 900 RPM (105, 125 & 150)	52
FAN BLADES		
69301106	Fan Blades 20" (85)	55
69301107	Fan Blades 22" (105, 125 & 150)	55
CANISTER		
69201359	Plastic Clamp Band (one piece)	64
69801504	Rubber O Ring	65
69201300	Cable Gland 3/4 NPT	66
69201358	Hose Nipple	67
69201357	Hose Nipple O Ring	67
69201319	Thermostat Well 67.5 mm	68
69201320	Thermostat Well O Ring	
69501205	Light Indicator	N/S

* Please refer to diag on page 106

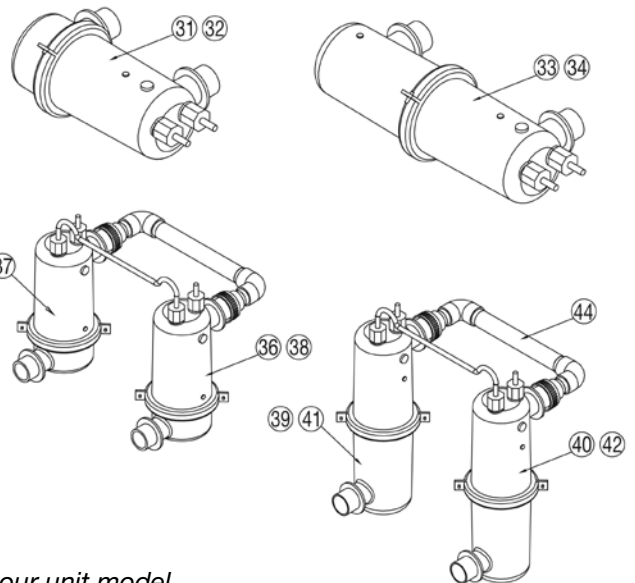
Electroheat Plus MkII & MkIII



Electrical Box
(all models)



Canister Assembly
(all models)



The images are for illustration only and may differ slightly to your unit model.