

ELECTROHEAT SUBZERO Models 75 & 100 Three Phase

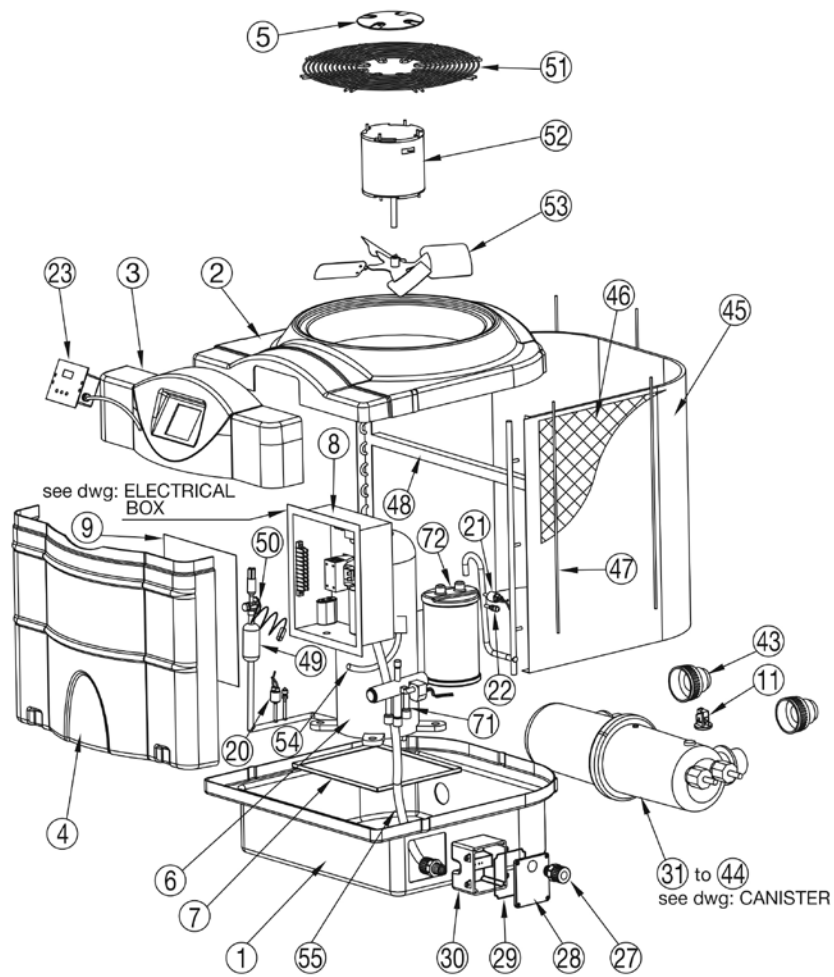
R407C Manufactured from Oct 2009 up till Jan 2011

* Important: Please identify the appropriate part number related to the manufacturing date

Part Number	Product Description	Diagram Number
69201524	Ventilation Cap	5
69101038SA	Compressor Scroll 5 hp 3 ph R407C (75)	6
69101014SA	Compressor Scroll 6 hp 3 ph R407C (100)	6
ELECTRICAL BOX		
69501103	5 mf - 370 VAC	10
69401006V	Pressure Switch	11
69501009	Contactora	12
69400001	Transformer	13
69400002	Fan Relay 24 V	14
69401017	Phase Monitor	15
69501333	Terminal Block 10 Poles	17
SWITCH		
69401002FV	425 - 325 PSI Flare R407C	20
69401003E	15 - 35 PSI Flare	21
69101319	Acces Valve Schrader	22
CONTROLLER		
69401036	Control Assembly - Ultra	23
HEAT EXCHANGER		
69101224	28' Large Align (75)	34
69101225	16' Small Opposite - In (right) 100	35
69101226	16' Small Opposite - Out (Left) 100	36
122243B	40mm Half Union c/w O Ring Black	43
69051362	Connecting Tube PVC (100)	44
FILTER DRYER		
69101340	Bi-Flow ½" ODF 5 Tons	49
EXPANSION VALVE		
69101359	Expansion Valve 4 Tons (75) R407C	50
69101372	Expansion Valve 5 Tons (100) R407C	50
FAN GUARD		
69601104	Round Large	51
FAN MOTOR		
69301004	1/4 hp 900 RPM	52
FAN BLADES		
69301107	Fan Blades 22"	53
CANISTER		
69201359	Plastic Clamp Band (one piece)	64
69801504	Rubber O Ring	65
69201300	Cable Gland ¾ NPT	66
69201358	Hose Nipple Fitting	67
69201357	Hose Nipple O Ring	67
69201319	Thermostat Well 67.5 mm	68
69201320	Thermostat Well O Ring	68
OTHERS		
69801616	Sound Blanket (100)	69
69501205	Light Indicator	70
69101362	4 Way Reversing Valve	71
69101502	Suction Line Accumulator	72

* Please refer to diag on page 111

Electroheat SubZero and Ultra



Electrical Box

(all models)

Canister Assembly

(all models)

