

# ELECTROHEAT TITANIUM MKI Model 80 single phase

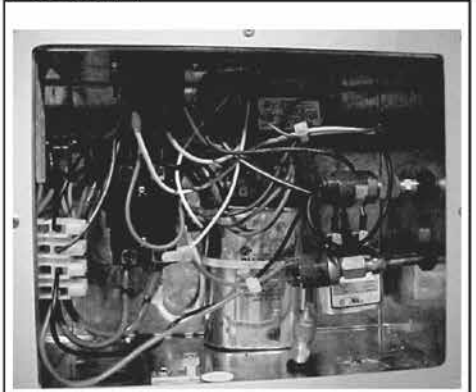
Part Number	Product Description	Diagram Number
<b>COMPRESSOR</b>		
69101009	Compressor 240V - 50Hz 1 phase	1
<b>CONDENSATION</b>		
69051350	Heat Exchanger Assembly Complete EH80 28 Titanium	A/B
69201300	Liquid Tight Connector 3/4" - 2 required	5
69201303	Clear Plastic Hose 1/2"ID x 1/4"OD (Pressure Switch) - 30" length	7
69201319	Thermostat Well 67.5 mm	9
69201320	Thermostat Well O Ring	
69801410	Canister Clamp	10
69801504	Canister O'Ring 7 1/4"	11
69801505	Water Inlet and Outlet O'Ring - 2 required	12
69201312	Plastic Cap 3/4" NPT - 2 required	14
<b>VENTILATION</b>		
69301008	1/8" hp - 900 rpm	21
69501103	Fan Run Capacitor	34
69301103	Fan Blade 16"	22
69601129	Fan Grill ElectroHeat 80	36
<b>EVAPORATION &amp; EXPANSION</b>		
69101410	Capillary Assembly	4
69101409	Capillary Kit Sanyo EH80	4
69101302	Refrigerant Distributor 3/8" - 6 tubes	NA
<b>SAFETY SYSTEM</b>		
69401006	Water Pressure Switch	32
69801512	Retaining Ring Pressure Switch	NA
69201303	Tube PVC 30"	7
69401002	High Pressure Switch 250-425PSI	23
69401003	Low Pressure Switch 25-50PSI	24
69401030	Defrost Sensor	31
69201306	Nipple 1/8" Barb - 3 required	8
69401005	Defrost Control	31
<b>CONTROLLER</b>		
69402000	EH Control Assy - All Models	25
69201526	Sun Shade Dig/Control	28
<b>ELECTRIC BOX</b>		
69501008	Contactora 40A/24V/2 Poles	33
69400001	Transformer 240/24-12V	29
69400002	24V Fan Relay	30
69401016	24V Time Delay - 3 min	NA

\* Please refer to diag on page 99

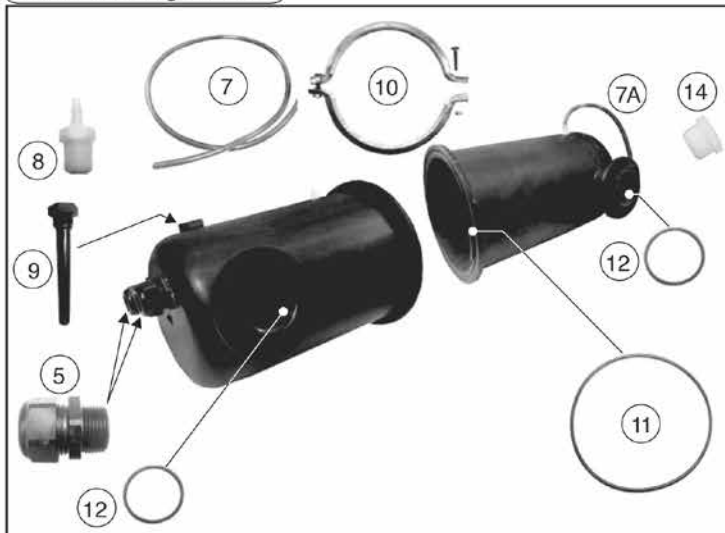
# ELECTROHEAT TITANIUM MKI Model 55 & 80 single phase



## Electrical



## Heat Exchanger Parts



## Heat Exchanger Assemblies Complete

