

# ELECTROHEAT TITANIUM MKIII Models 16kW & 23kW Single Phase

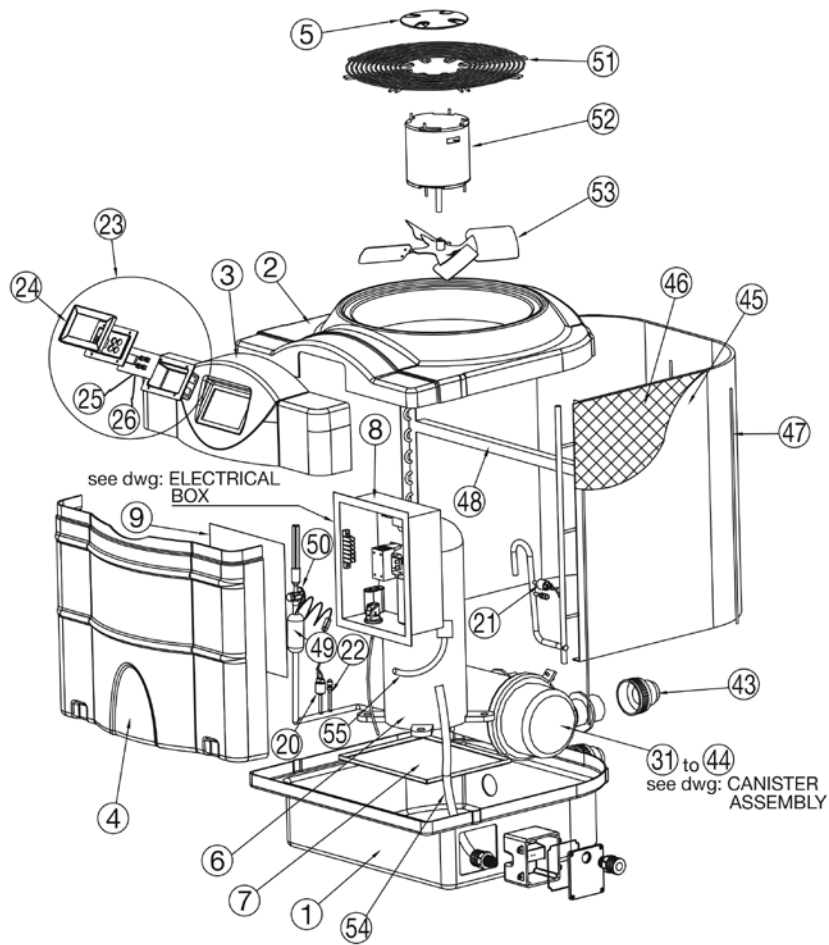
## ELECTROHEAT PLUS MKIII Model 25kW Single Phase

MANUFACTURED FROM JAN 2011 TO DATE.

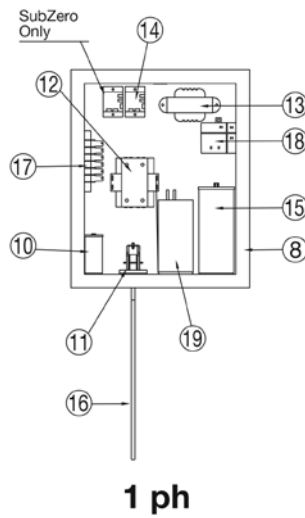
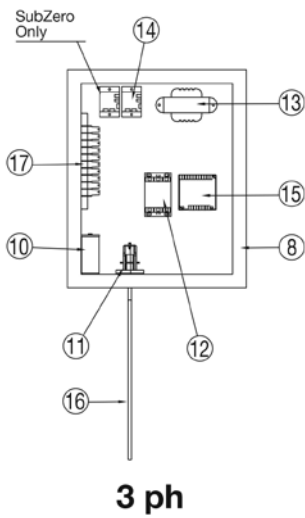
(\*Important: Please identify the appropriate part number related to the manufacturing date)

Part Number	Product Description	Diagram Number
69201524	Cabinet Ventilation Cap	5
69101008DS	Compressor Scroll 4hp R407C (16KW)	6
69101078CS	Compressor Scroll 4hp R410A (16KW)	6
69101075DS	Compressor Scroll 5hp R410A (23KW)	6
69101076DS	Compressor Scroll 6hp R410A (25KW)	6
<b>ELECTRICAL BOX</b>		
69501103	5mf - 370 VAC	10
69401006	Water Pressure Switch	11
69801512	Retaining Ring Pressure Switch	11
69501008	Contacto	12
69400001	Transformer	13
69400002	Fan Relay 24V	14
69501110	70 mf - 440 VAC (16KW)	15
69501127	80 mf - 440 VAC (16KW)	15
69501106	55 mf - 440 VAC (23KW)	15
69201303	Tube PVC 30"	16
69501333	Terminal Block 10 Poles (16KW, 23KW)	17
69501119	Start Assist (16KW, 23KW)	19
<b>SWITCH</b>		
69401002FV	425 - 325 PSI Flare R407C (16KW)	20
69401034V	565 - 400 PSI Flare R410A	20
69401003V	25 - 50 PSI Flare R407C (16KW)	21
69401033V	55 - 75 PSI Flare R410A	21
69101311	Acces Valve Schrader 5/16"	22
<b>CONTROLLER</b>		
69402000	EH Control Assy - All Models	
69201527	Escutcheon White	24
69401030	Defrost Sensor Probe - Yellow	25
69401031	Water Temperature Sensor Probe - Black	26
<b>HEAT EXCHANGER</b>		
69101230	20' Small Align (16KW)	32
69101224	28' Large Align (23KW, 25KW)	34
122243B	40mm Half Union c/w O Ring Black	43
<b>FILTER DRYER</b>		
69101345	1/2" X 1 5/8" OD	49
<b>CAPILLARIES &amp; EXPANSION VAIVE</b>		
69101425	Capillaries 6 X 34" TC 54 R407C (16KW)	50
69101451	Capillaries 6 X 41" TC 64 R410A (16KW)	50
69101405	Capillaries 6 X 24" TC 64 R410A (23KW)	50
69101377	Expansion Valve 5 Tons R410A (25KW)	50
<b>FAN GUARD</b>		
69601128	Compact Small (16KW)	51
69601129	Compact Large (23KW)	51
69601103	Round Medium (25KW)	51
<b>FAN MOTOR</b>		
69301008	1/8 hp 900 (16KW, 23KW)	52
69301006	1/6 hp 900/1075 RPM (25KW)	52
<b>FAN BLADES</b>		
69301110P	Fan Blades 14" (13KW)	53
69301103P	Fan Blades 16" (23KW) - old	53
69301106P	Fan Blades 20" (25KW)	53
<b>CANISTER</b>		
69051351	Inlet large (25KW)	56
69201344	Stabilization Bar 9" (25KW) Required 1 each for both inlet & outlet	56
69051353	Outlet Large (25KW)	57
69201359	Plastic Clamp Band (one piece)	64
69801504	Rubber O Ring	65
69201300	Cable Gland 3/4 NPT	66
69201358	Hose Nipple	67
69201357	Hose Nipple O Ring	67
69201319	Thermostat Well 67.5 mm	68
69201320	Thermostat Well O Ring	68
69501205	Light Indicator	N/S

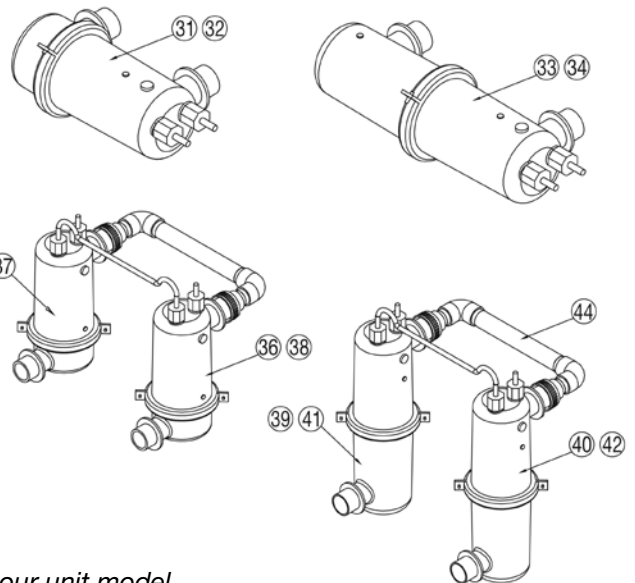
# Electroheat Plus MkII & MkIII



**Electrical Box**  
(all models)



**Canister Assembly**  
(all models)



The images are for illustration only and may differ slightly to your unit model.