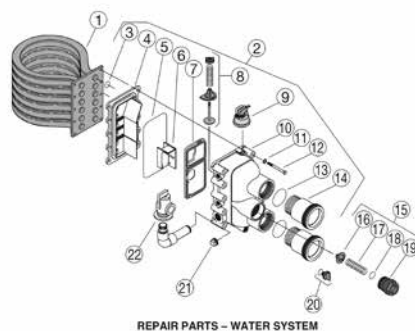
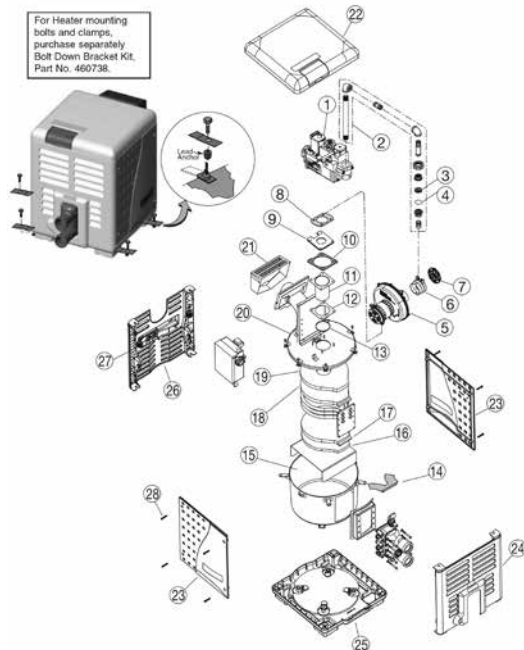


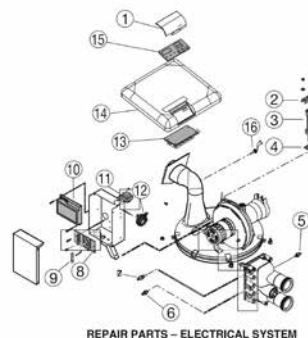
MASTER/TURBO TEMP GAS HEATER

Part Number	Product Description	Diagram Number
BURNER SYSTEM		
684431144	50mm Half Union	
68474133Z	Kit Gas Valve Assembly	1
68474134	Kit Gas Orifice NG 400MJ	3 & 4
68474135	Kit Gas Orifice NG 300MJ	3 & 4
68474136	Kit Gas Orifice NG 200MJ	3 & 4
68474137	Kit Gas Orifice LP 400MJ	3 & 4
68474138	Kit Gas Orifice LP 300MJ	3 & 4
68474139	Kit Gas Orifice LP 200MJ	3 & 4
68475133	Kit Conversion NG TO LP 125MJ	3,4,6 & 7
68474140	Kit Conversion NG to LP 400MJ	3,4,6 & 7
68474141	Kit Conversion NG to LP 300MJ	3,4,6 & 7
68474142	Kit Conversion NG to LP 200MJ	3,4,6 & 7
68475134	Kit Conversion LP to NG 125MJ	3,4,6 & 7
68474143	Kit Conversion LP to NG 400MJ	3,4,6 & 7
68474144	Kit Conversion LP to NG 300MJ	3,4,6 & 7
68474145	Kit Conversion LP to NG 200MJ	3,4,6 & 7
68474107	Blower 50Hz AU	5
68474104Z	Kit Blower 50Hz AU	5,6,7,8 & 9
68474105Z	Kit Air Orifice 400MJ	6 & 7
68474106Z	Kit Air Orifice 300MJ	6 & 7
68474107Z	Kit Air Orifice 200MJ	6 & 7
68420020034Z	Heater Top	22
68420020039	Side Panel - Service Panel	23
68420020039Z	Kit Door Molded Mt Replacement	23 & 28
68420020033	Side Panel - Manifold	24
68420020033Z	Kit Front Side Molded Mt Replacement	24 &
68420020031Z	Kit Mt Bottom Cover	25
68420020032Z	Kit Mt Back Pane	26 & 27
684738	Pressure Release Valve Water 45PSI 20mm	
ELECTRICAL SYSTEM		
68474171Z	High Limit Switch AU	6
68474103	Module Ignition AU	
68474103Z	Kit Ignition Module AU	10
68420020007S	Control Board Kit NA, LP	13
68474163Z	Kit Wire Harness AU	N/S
68472610Z	Membrane Pad	15
WATER SYSTEM		
684431106	Metal Flue Collar 100mmX 150mm (4" X 6")	
684431108	Metal Flue Collar 100mmX 200mm (4" X 8")	

MASTERTEMP REPLACEMENT PARTS



REPAIR PARTS - WATER SYSTEM



REPAIR PARTS - ELECTRICAL SYSTEM