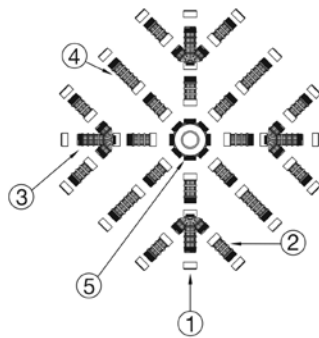
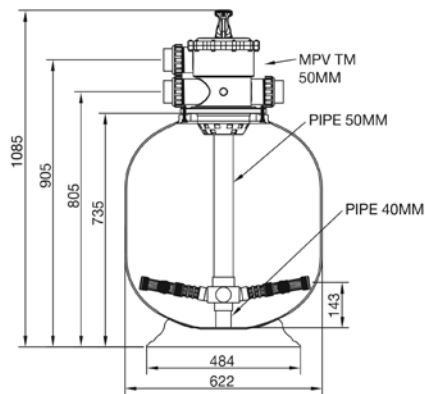
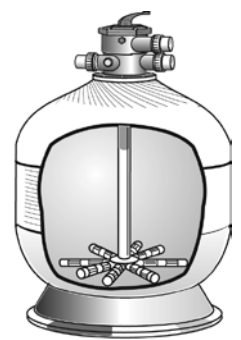


MICRON / THERMOPLASTIC / HYDRON COMMON PARTS

Part Number	Product Description	Diagram Number
6209227	Lateral Extension Arm Assembly Long (4 required for S602)	3
620892	Manifold Threaded 40mm	
620893	Manifold Threaded 50mm	5
620921	Lateral Threaded 75mm	2
620922	Lateral Threaded 110mm	4
620923	Lateral Threaded 145mm	
620924	Lateral Threaded 200mm	
620925	Lateral Threaded Cap (16 required for S602)	1
6209251	Lateral Threaded Plug	
62100	Valve Neck O Ring (Suits 40mm MPV)	
62101	Micron Valve Gasket (50mm)	
62102	Micron S/S Dome Nut & Washer (Set of 12)	
62109	Pressure Gauge Back Mount 250kPa	
62161	Pressure Gauge Bottom Mount 250kPa	
621621	Pressure Gauge 100mm Bottom Mount 600 kPa	
621630	Pressure Gauge Back Mount (Oil Filled) 400kPa	
621632	Pressure Gauge Bottom Mount (Oil Filled) 400kPa	
122243B	40mm Half Union	
64479	40mm Union O Ring	
634024B	50mm Half Union	
6340241	50mm Union O Ring	
635092	Barrel Union Nut 50mm - Blue	
6340803	80mm Half Union (Black) with O Ring	
6302550	80mm Half Union O Ring	
6209304	Drain Plug 25mm Complete (S600 Premium)	
T Filters - Clamp Band Type		
620892	Manifold Threaded 40mm	
620921	Lateral Threaded 75mm (8 required for T400, 16 for S602)	
620922	Lateral Threaded 110mm (8 required for T450, T500, 4 for S602)	
620923	Lateral Threaded 145mm (8 required for T600)	
620925	Lateral Threaded Cap (8 required for each model)	
6226010	Clamp Band 6" Kit	
62109	Pressure Gauge Back Mount	
622604	Locater 40mm 6" Clamp	
620269	O Ring 185 x 4mm	



**CLAMP BAND
THERMOPLASTIC FILTER**



MICRON SAND FILTER

MICRON / THERMOPLASTIC / HYDRON COMMON PARTS (continue)

Part No:		620892	620893	620921	620922	620923	620924	620925	6209226	6209227
Model		Manifold 40mm	Manifold 50mm	Lateral 75mm	Lateral 110mm	Lateral 145mm	Lateral 200mm	Lateral End Cap Nut	Extension Arm Assy Short	Extension Arm Assy Long
S500	Eco	1		8	4			16		4
S600	Eco	1		16	4			16		4
S602	Eco		1	16	4			16		4
S700	Eco	1		16			4	16	4	
S702	Eco		1	16			4	16	4	
S750	Eco		1	8	12	4		16	4	
S800	Eco		1	8	12	4		16	4	
S900	Eco		1	4	8	12		16	4	
E600 Plus. SM	Eco	1		12		4		16	4	
E602 Plus. SM	Eco		1	12		4		16	4	
E702 Plus. SM	Eco		1	12			4	16		4
E600 Plus. TM	Eco	1		12		4		16	4	
E602 Plus. TM	Eco		1	12		4		16	4	
E702 Plus. TM	Eco		1	12			4	16		4
Part No:		620892	620893	620921	620922	620923	620924	620925		
Model		Manifold 40mm	Manifold 50mm	Lateral 75mm	Lateral 110mm	Lateral 145mm	Lateral 200mm	Lateral End Cap Nut		
T400	Std	1		8				8		
T450	Std	1			8			8		
T500	Std	1			8			8		
T600	Std	1				8		8		
Clamp type T400	Std	1		8				8		
Clamp type T450	Std	1			8			8		
Clamp type T500	Std	1			8			8		
Clamp type T600	Std	1				8		8		
E500	Std	1								
E600	Std	1								
S500	Std	1			8			8		
S600	Std	1	8	8				8		
S700/F700	Std	1					8	8		
S702/F702	Std		1				8	8		
S750	Std		1	8		8		8		
S800	Std		1	8		8		8		
S900	Std		1			16		8		