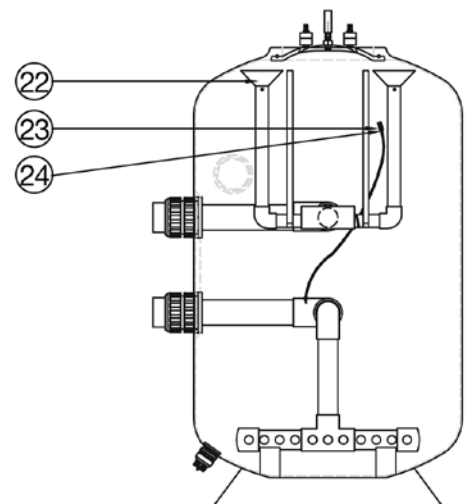
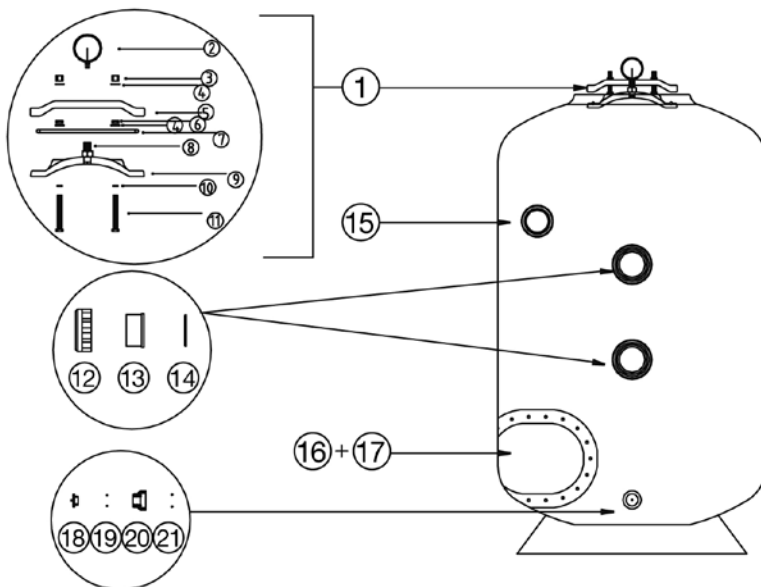


SMD / SMDD SIDE MOUNT DEEP BED FILTERS

Part Number	Product Description	Diagram Number
6209440	Man Hole Cover 4 Stud Complete	1
621632	Pressure Gauge Bottom Mount (Oil Filled) 400kPa	2
621621	Pressure Gauge Dry 600KPA/90PSI Bottom Mount	2
6340939	Hex Nut M16 (4 required)	3
6340937	Washer M16 S/S304 (8 required)	4
6209430	Lid Yoke Lacron (2 required)	5
W12324	Hex Thin Nut (4 required)	6
6209443	O Ring Manhole Cover Oval 4 Stud - Waterco	7
6209443	O'Ring Oval Lid 4-Stud	7
W12724	S/S Screw 1" BSW Male 1/4" BSP Female Thread	8
6209442	Manhole Cover Only Oval 4 Stud - Waterco	9
6340412	O Ring BS113 (4 required)	10
W12125	Hex Bolt N16X120MM (4 required)	11
6340803	80mm Half Union Black (2 required)	12/13
6340801	100mm Half Union Black (2 required)	12/13
6302550	O Ring B/U 80mm	14
6302553	O Ring B/U 100mm	14
62380	Sight Glass 3" Complete (Pre 2008)	15
W12132	Sight Glass 3" Acrylic Cap (Pre 2008)	15
6209470	Side Manhole Cover 18 Hole Oval	16
6209491	Side Hatch Round 200mm	16
6209471	Gasket for Side Manhole Oval 18 Hole	17
6209492	O Ring G210 for Side Hatch Round 200mm	17
6209302	Drain Plug complete 15mm	18/19/20
6209303	Drain Plug complete 40mm	18/19/20
6209305	Drain Plug complete 50mm	18/19/20
620936	Drain Plug Assembly Connector 1" BSPT	
64479	O Ring 40mm B/U EPDM	21
620940	Funnel For Port Size 3" & 4" (80mm & 100mm) (4 required) & 50mm	22
621013	Funnel for Port Size 6" (150mm) (4 required)	22
620223	Air Relief Tube Screen	23
86172	Gulfstream Plug (2 required)	24
620951	Underdrain SMDD1600 (100mm port) threaded pipe 3'/endcap/tee (2pcs per set)	



SMD / SMDD SIDE MOUNT DEEP BED FILTERS (continue)

Part No:	Manifold	620921	620922	620923	620924	620925	6209251	6208931	6208932	6208933	6200912	#W02269BLK	#W02270BLK
		LATERALS				Lateral End Cap Nut	Lateral End Plug (male)	HRZ Cross Tee	HRZ LCT Extension	HRZ LCT End Cap	Extension Arm	Cap Body	Cap Nut
Model		75mm	110mm	145mm	200mm								
SMD/SMDD400	40mm	8	-	-	-	8	-	-	-	-	-		
SMD/SMDD500	40mm	-	-	8	-	8	-	-	-	-	-		
SMD/SMDD600	40mm	8	8	-	-	8	-	-	-	-	-		
SMD/SMDD750	50mm	8	-	8	-	8	-	-	-	-	-		
SMD/SMDD900 50mm Port	50mm	8	-	-	8	8	-	-	-	-	-		
SMD/SMDD900 80mm Port	-	4	22	4	2	36	4	2	8	4	-		
SMD/SMDD1050 50mm Port	50mm	-	8	8	-	8	-	-	-	-	-		
SMD/SMDD1050 65mm Port	65mm	8	16	-	12	20	-	-	-	-	8	4	4
SMD/SMDD1050 80mm Port	-	8	20	10	4	32	4	2	8	4	-		
SMD/SMDD1200 50mm Port	50mm	8	-	-	16	8	-	-	-	-	-		
SMD/SMDD1200 65mm Port	65mm	16	4	20	12	28	-	-	-	-	12	4	4
SMD/SMDD1200 80mm Port	-	2	26	8	6	32	4	2	8	4	-		
SMD/SMDD1200 80Port wLateral manhole#620947	-	3	6	25	6	32	4	2	8	4	-		
SMD/SMDD1200 100mm Port	-	4	4	4	36	-	48	-	-	-	-		
SMD/SMDD1400 80mm Port	-	8	8	36	14	48	4	2	12	4	-		
SMD/SMDD1400 100mm Port	-	10	8	12	32	-	52	-	-	-	-		
SMD/SMDD1600 80mm Port	-	4	16	42	18	48	4	2	12	4	-		
SMD/SMDD1600 100mm Port	-	10	22	22	38	-	60	-	-	-	-		
SMD/SMDD1600 150mm Port	-	18	8	80	14	-	68	-	-	-	-		
SMD/SMDD1800 100mm Port	-	8	42	22	68	-	76	-	-	-	-		
SMD/SMDD1800 150mm Port	-	46	4	22	68	-	76	-	-	-	-		
SMD/SMDD2000 100mm Port	-	2	52	20	74	-	80	-	-	-	-		
SMD/SMDD2000 150mm Port	-	22	54	30	68	-	80	-	-	-	-		
SMD/SMDD2000 150Port wLateral manhole #620947	-	22	53	29	68	-	80	-	-	-	-		
SMDD2200 150mm Port	-	64	34	30	88	-	96	-	-	-	-		
SMD/SMDD2350 150mm Port	-	4	62	42	122	-	104	-	-	-	-		
SMD/SMDD2500 150mm Port	-	54	4	20	160	-	108	-	-	-	-		