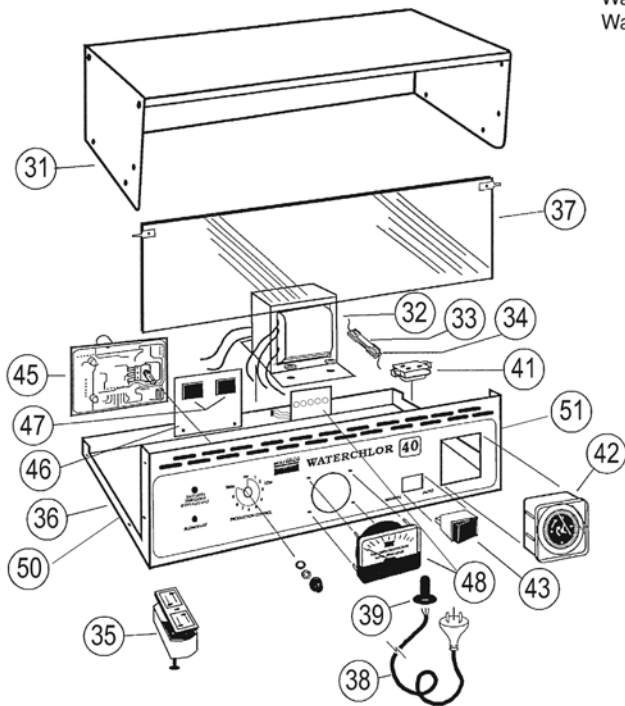


WATERCHLOR CHLORINATORS

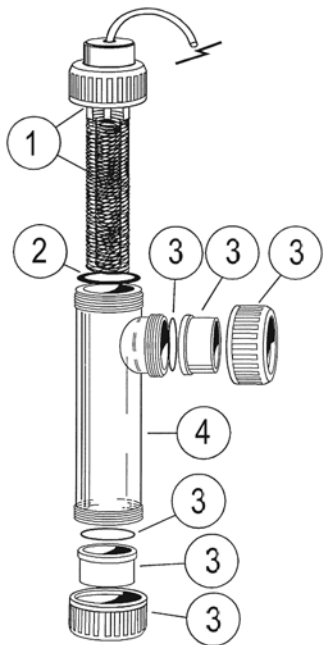
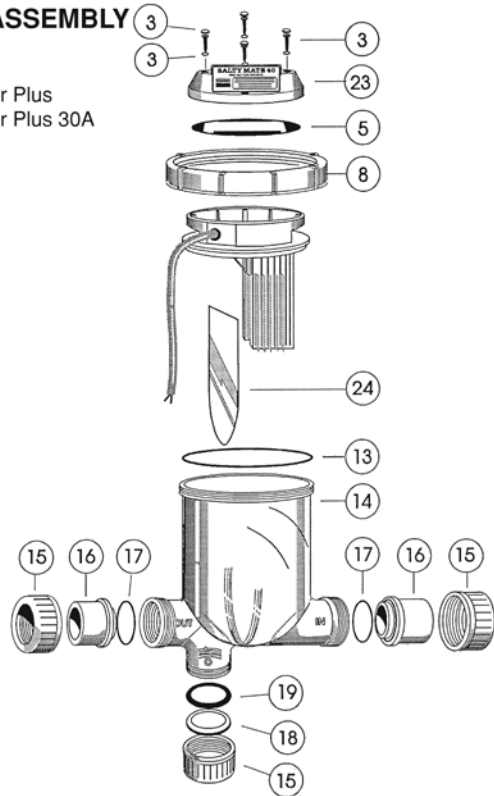
Part Number	Product Description	Diagram Number
WATERCHLOR 20Amp (same as Waterchlor 26)		
64113	Transformer	32
64428611	20A & 26 Electrode Assembly	1
WATERCHLOR 30Amp (same as Waterchlor 40)		
64116	Transformer	32
64428511	30A & 40 Electrode Assembly	1
WATERCHLOR PLUS 30 (also 40 & 26)		
64116	Transformer	32
64428511	Waterchlor Plus 30 Cell & Electrode Assembly	25
64479	Union Tail O Ring	17
WATERCHLOR PLUS 30 SC (SELF CLEAN)		
64116	Transformer	32
64501	S.C.R. (4 required)	47
ACL031	Cell Housing & Electrode Complete	1
AXCL031	Cell Assembly Only	2
A69215	Cell O Ring	5
12555	50/40 Reducing Bush	4
WATERCHLOR COMMON PARTS		
64128	Junction Box	35
64134	240V Power Lead and Plug	38
64135	5 Amp Fuse	33
64405	3 Pin Pump Socket	41
644073	Timer Bracket	
644074	Timer Cover	
6440811	Time Clock (Battery Back Up)	
64492	Power Cord Sealing Gland	39
64501	S.C.R. (Each)	47
634024B	50mm Half Union c/w O Ring	3
6340241	Union O Ring 50mm	3
644331	Cell Body	4
644771	Cell O Ring	2
64486	Cradle	
WATERCHLOR 30Amp (same as Waterchlor 40)		
644996	Power Pack	51

WATERCHLOR CHLORINATORS (continue)



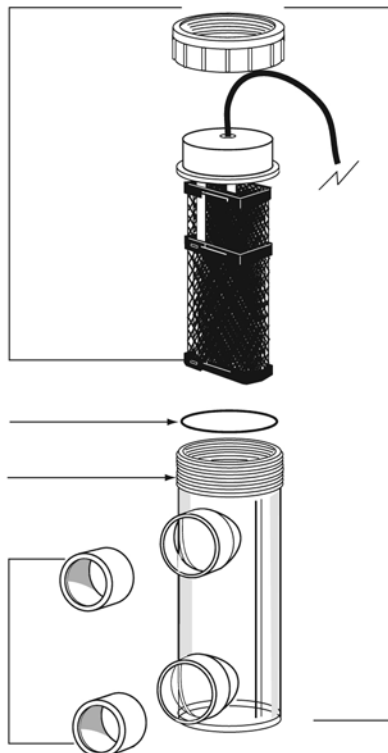
CELL ASSEMBLY

Saltymate
Salty S
Waterchlor Plus
Waterchlor Plus 30A



CELL ASSEMBLY

Models:
Salty S
Waterchlor 30A, 40, 20A & 26



CELL ASSEMBLY

Models:
Waterchlor Plus 30A S.C. (Self Clean)