

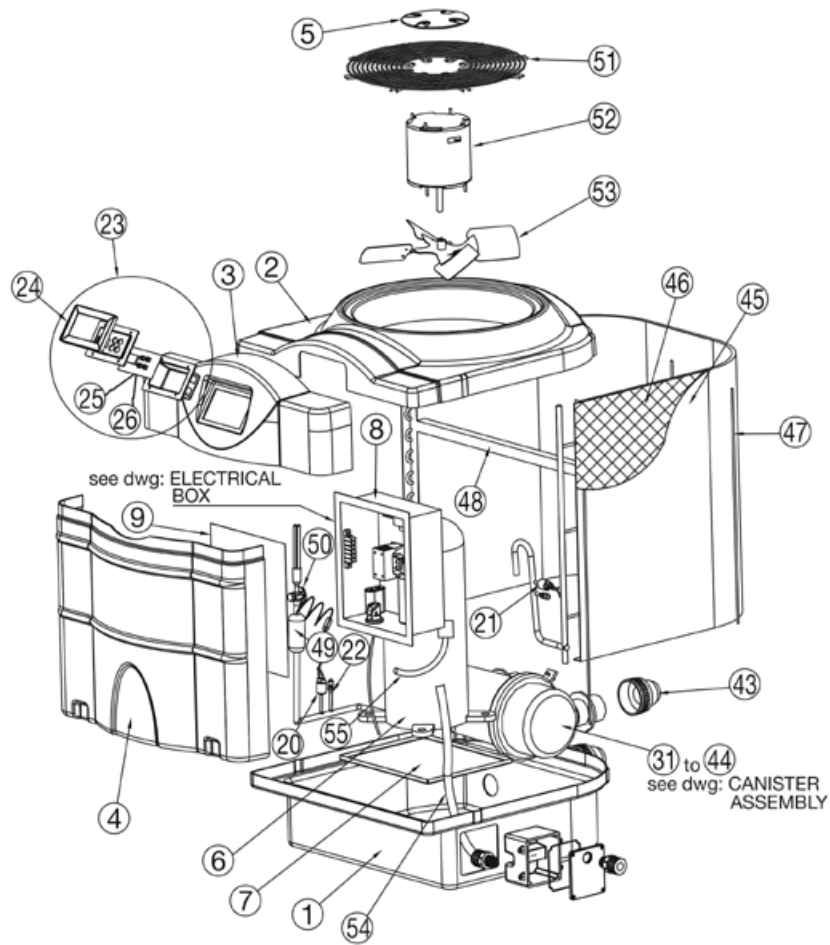
# ELECTROHEAT PLUS MKIII Models 25kW, 31kW, 37kW & 44kW Three Phase

MANUFACTURED FROM JAN 2011 TO DATE.

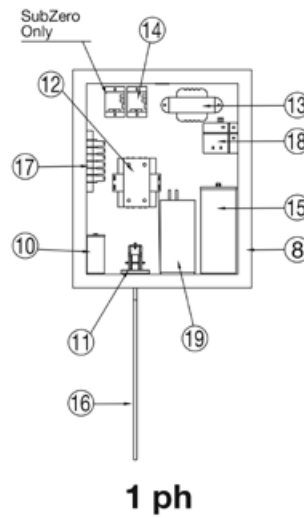
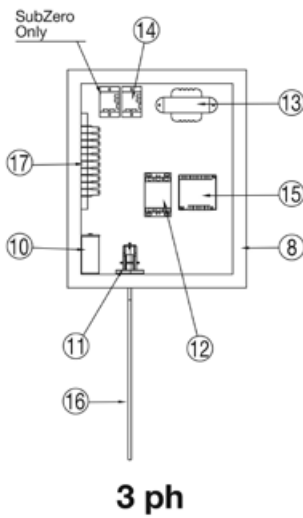
(\* Important: Please identify the appropriate part number related to the manufacturing date)

Part Number	Product Description	Diagram Number
69201524	Cabinet Ventilation Cap	5
69101065	Compressor Scroll 6hp R410A (25KW)	6
69101070	Compressor Scroll 7hp R410A (31KW)	6
69101071SA	Compressor Scroll 8hp R410A (37KW)	6
69101072SA	Compressor Scroll 10hp R410A (44KW)	6
<b>ELECTRICAL BOX</b>		
69501103	Capacitor 5MFD 370 VAC E/H80 - 150BTU	10
69401006	Pressure switch	11
69801512	Flat Washer	11
69501009	Contacto	12
69400001	Transformer	13
69400002	Relay 24V	14
69401017	Phase Monitor	15
69201303	Clear Rubber Hose	16
<b>SWITCH</b>		
69401034V	565 - 400 PSI Flare R410A	20
69401033V	55 - 75 PSI Flare R410A	21
69101311	Acces Vavle Schrader 5/16"	22
<b>CONTROLLER</b>		
69402000	EH CONTROL ASSY MKII&MKIII&MKIV	
69201527	Escutcheon White	24
69401030	Defrost Sensor Probe - Yellow	25
69401031	Water Temperature Sensor Probe - Black	26
<b>HEAT EXCHANGER</b>		
69101224	28' large Align (25KW)	34
69101227	20' Small Opposite - In (Right) (31KW, 37KW)	37
69101228	20' Small Opposite - Out (Left) (31KW, 37KW)	38
69101233	28' Large Opposite - In (Right) (44KW)	41
69101234	28' Large Opposite - Out (Left) (44KW)	42
122243B	40mm Half Union c/w O Ring Black	43
69051359	Connecting Tube (31KW, 37KW & 44KW)	44
<b>FILTER DRYER</b>		
69101345	1/2" X 1 5/8" OD (25KW)	49
69101339	1/2" ODF 5 Tons (31KW, 37KW & 44KW)	49
<b>EXPANSION VALVE</b>		
69101377	Expansion Valve 5 Tons R410A (25KW)	50
69101378	Expansion Valve 6 Tons R410A (31KW)	50
69101379	Expansion Valve 8 Tons R410A (37KW)	50
69101380	Expansion Valve 9 Tons R410A (44KW)	50
<b>FAN GUARD</b>		
69601103	Round Medium (25KW)	51
69601104	Round Large (31KW, 37KW & 44KW)	51
<b>FAN MOTOR</b>		
69301006	1/6 hp 900/1075 RPM (25KW)	52
69301004	1/4 hp 900 RPM (31KW, 37KW & 44KW)	52
<b>FAN BLADES</b>		
69301106	Fan Blades 20" (16, 25KW)	55
69301107	Fan Blades 22" (31KW, 37KW & 44KW)	55
<b>CANISTER</b>		
69201359	Plastic Clamp Band (one piece)	64
69801504	Rubber O Ring	65
69201300	Cable Gland 3/4 NPT	66
69201358	Hose Nipple Fitting	67
69201357	Hose Nipple O Ring	67
69201319	Thermostat Well 67.5 mm	68
69201320	Thermostat Well O Ring	68
69501205	Light Indicator	N/S

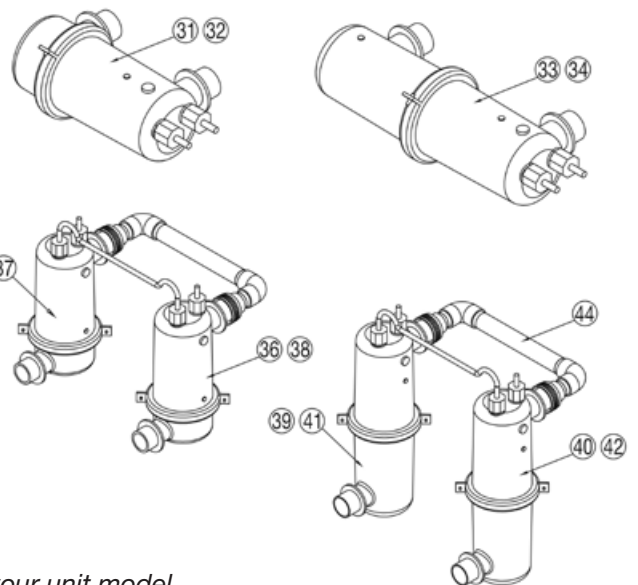
# Electroheat Plus MkII & MkIII



**Electrical Box**  
(all models)



**Canister Assembly**  
(all models)



The images are for illustration only and may differ slightly to your unit model.